

SCAG[®]

POWER EQUIPMENT

OPERATOR'S MANUAL



Turf Tiger

Models: STT52V-27CH
STT61V-27CH
STT61V-27KA
STT61V-29DFI-SS
STT61V-35BV-SS
STT-29DFI-SS
STT-35BV-SS

Congratulations on owning a Scag mower! This manual contains the operating instructions and safety information for your Scag mower. Reading this manual can provide you with assistance in maintenance and adjustment procedures to keep your mower performing to maximum efficiency. The specific models that this book covers are listed on the inside cover. Before operating your machine, please read all the information enclosed.



WARNING

FAILURE TO FOLLOW SAFE OPERATING PRACTICES MAY RESULT IN SERIOUS INJURY OR DEATH.

- Read this manual completely as well as other manuals that came with your mower.
- DO NOT operate on steep slopes. To check a slope, attempt to back up it (with the cutter deck down). If the machine can back up the slope without the wheels slipping, reduce speed and use extreme caution.
- Under no circumstances should the machine be operated on slopes greater than 15 degrees. ALWAYS FOLLOW OSHA APPROVED OPERATION.
- DO NOT mow on wet grass. Wet grass reduces traction and steering control.
- Keep all shields in place, especially the grass discharge chute.
- Before performing any maintenance or service, stop the machine and remove the spark plug wire and ignition key.
- If a mechanism becomes clogged, stop the engine before cleaning.
- Keep hands, feet and clothing away from power-driven parts.
- Keep others off the mower (only one person at a time)

REMEMBER - YOUR MOWER IS ONLY AS SAFE AS THE OPERATOR!

HAZARD CONTROL AND ACCIDENT PREVENTION ARE DEPENDENT UPON THE AWARENESS, CONCERN, PRUDENCE, AND PROPER TRAINING OF THE PERSONNEL INVOLVED IN THE OPERATION, TRANSPORT, MAINTENANCE, AND STORAGE OF THE EQUIPMENT.

This manual covers the operating instructions and illustrated parts list for:

STT52V-27CH	with a serial number of	D7400001 to D7499999
STT61V-27CH	with a serial number of	D7500001 to D7599999
STT61V-27KA	with a serial number of	D7600001 to D7699999
STT61V-29DFI-SS	with a serial number of	D7700001 to D7799999
STT61V-35BV-SS	with a serial number of	D7800001 to D7899999
STT-29DFI-SS	with a serial number of	D8100001 to D8199999
STT-35BV-SS	with a serial number of	D8200001 to D8299999
SMT-52V	with a serial number of	D9400001 to D9499999
SMT-61V	with a serial number of	D9500001 to D9599999
SMST-61V (BVAC, BV)	with a serial number of	D9900001 to D9999999
SMT-72VS	with a serial number of	E3400001 to E3499999
SMST-72A	with a serial number of	E0000001 to E0099999

Always use the entire serial number listed on the serial number tag when referring to this product.

Table of Contents

SECTION 1 - GENERAL INFORMATION.....	1
1.1 INTRODUCTION.....	1
1.2 DIRECTION REFERENCE	1
1.3 SERVICING THE ENGINE AND DRIVE TRAIN COMPONENTS.....	1
1.4 SYMBOLS	2
SECTION 2 - SAFETY INFORMATION	3
2.1 INTRODUCTION.....	3
2.2 SIGNAL WORDS	3
2.3 BEFORE OPERATION CONSIDERATIONS.....	3
2.4 OPERATION CONSIDERATIONS.....	4
2.5 ROLL-OVER PROTECTION SYSTEM.....	6
2.6 MAINTENANCE CONSIDERATIONS & STORAGE	8
2.7 SAFETY AND INSTRUCTIONAL DECALS	9
SECTION 3 - SPECIFICATIONS	10
3.1 ENGINE	10
3.2 ELECTRICAL	10
3.3 POWER HEAD	11
3.4 CUTTER DECK	11
3.5 HYDRAULIC SYSTEM	12
3.6 WEIGHTS AND DIMENSIONS	12
3.7 PRODUCTIVITY	12
SECTION 4 - OPERATING INSTRUCTIONS	13
4.1 CONTROLS AND INSTRUMENT IDENTIFICATION	13
4.2 SAFETY INTERLOCK SYSTEM	14
4.3 INITIAL RUN-IN PROCEDURES.....	15
4.4 STARTING THE ENGINE	15
4.5 GROUND TRAVEL AND STEERING	15
4.6 ENGAGING THE DECK DRIVE (CUTTER BLADES).....	16
4.7 HILLSIDE OPERATION.....	17
4.8 PARKING THE MOWER.....	17
4.9 AFTER OPERATION	17
4.10 REMOVING CLOGGED MATERIAL	17
4.11 MOVING MOWER WITH ENGINE STOPPED	18
4.12 RECOMMENDATIONS FOR MOWING	18
4.13 ADJUSTING CUTTING HEIGHT.....	18
4.14 ADJUSTING THE STEERING LEVERS.....	19
4.15 ADJUSTING THE HEIGHT ADJUST PEDAL	19
4.16 TOWING (OPTIONAL HITCH ACCESSORY).....	20

SECTION 5 - TROUBLESHOOTING CUTTING CONDITIONS	21
SECTION 6 - ADJUSTMENTS	24
6.1 PARKING BRAKE ADJUSTMENT	24
6.2 TRAVEL ADJUSTMENTS	25
6.3 THROTTLE CONTROL AND CHOKE ADJUSTMENTS	26
6.4 BELT ADJUSTMENT	26
6.5 BELT ALIGNMENT.....	27
6.6 CUTTER DECK ADJUSTMENTS	27
6.7 CUSTOM-CUT BAFFLE ADJUSTMENT	28
SECTION 7 - MAINTENANCE.....	31
7.1 MAINTENANCE CHART - RECOMMENDED SERVICE INTERVALS	31
7.2 LUBRICATION.....	32
7.3 HYDRAULIC SYSTEM	34
7.4 ENGINE OIL	35
7.5 ENGINE FUEL SYSTEM	35
7.6 ENGINE AIR CLEANER.....	36
7.7 BATTERY.....	37
7.8 DRIVE BELTS.....	38
7.9 CUTTER BLADES.....	38
7.10 TIRES.....	39
7.11 CUTTER DECK GEARBOX	39
7.12 COOLING SYSTEM	40
7.13 BODY, DECK, AND UPHOLSTERY	41
SECTION 8 - ILLUSTRATED PARTS LIST	42
8.1 SCAG APPROVED ATTACHMENTS AND ACCESSORIES.....	42
52V CUTTER DECK.....	43
61V & 72VS CUTTER DECKS	45
72A CUTTER DECK.....	47
CUTTER DECK CONTROLS	49
SHEET METAL COMPONENTS	51
STT ROLL-OVER PROTECTION SYSTEM - WITHOUT SUSPENSION SEAT.....	53
STT ROLL-OVER PROTECTION SYSTEM - WITH SUSPENSION SEAT	55
DECK DRIVE COMPONENTS	57
ENGINE AND ATTACHING PARTS - KOHLER.....	59
ENGINE & ATTACHING PARTS - 27HP, 29DFI KAWASAKI.....	61
ENGINE & ATTACHING PARTS - 35HP BRIGGS & STRATTON	63
BRAKE AND STEERING COMPONENTS	65
FUEL AND HYDRAULIC SYSTEM	67
FUEL AND HYDRAULIC SYSTEM - 29DFI KAWASAKI.....	69
BDP-16A HYDRAULIC PUMP ASSEMBLY.....	71
BDP-16A HYDRAULIC PUMP ASSEMBLY WITH COOLING FAN(29DFI, 35BV ONLY)	73

ELECTRICAL SYSTEM (KOHLER).....	75
ELECTRICAL SYSTEM - 27HP KAWASAKI, 35BV BRIGGS & STRATTON	77
ELECTRICAL SYSTEM - 29DFI KAWASAKI	79
REPLACEMENT DECALS AND INFORMATION PLATES	81
STT ELECTRICAL SCHEMATIC (KOHLER).....	83
ELECTRICAL SCHEMATIC - 29DFI KAWASAKI.....	85
NOTES.....	87
LIMITED WARRANTY - COMMERCIAL EQUIPMENT	Inside Back Cover

GENERAL INFORMATION

1.1 INTRODUCTION

Your mower was built to the highest standards in the industry. However, the prolonged life and maximum efficiency of your mower depends on you following the operating, maintenance and adjustment instructions in this manual.

If additional information or service is needed, contact your Scag Power Equipment Dealer.

We encourage you to contact your dealer for repairs. All Scag dealers are informed of the latest methods to service this equipment and provide prompt and efficient service in the field or at their service shop. They carry a full line of Scag service parts.

- IMPORTANT -

The replacement of any part on this product by other than the manufacturer's authorized replacement part may adversely affect the performance, durability or safety of this product.

Use of other than original Scag replacement parts will void the warranty.

When ordering parts, always give the model and serial number of your mower. The serial number plate is located between the seat and the controls where shown in Figure 1-1.

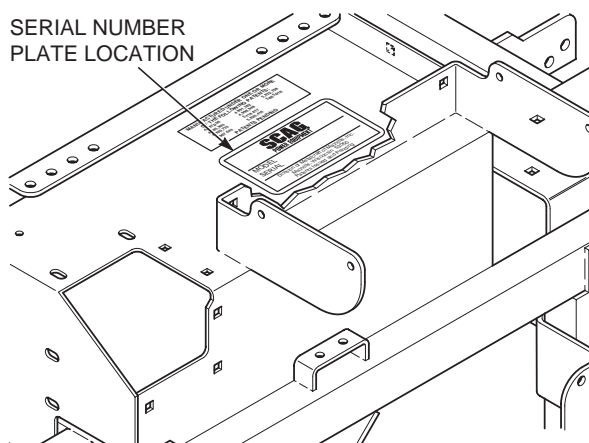


Figure 1-1. Mower Serial Number Plate Location

USE ONLY SCAG APPROVED ATTACHMENTS AND ACCESSORIES.

Attachments and accessories manufactured by companies other than Scag Power Equipment are not approved for use on this machine. See Section 8-1.

WARNING

For pictorial clarity, some illustrations and figures in this manual may show shields, guards or plates open or removed. Under no circumstances should your mower be operated without these devices in place.

All information is based upon product information available at the time of approval for printing. Scag Power Equipment reserves the right to make changes at any time without notice and without incurring any obligation.












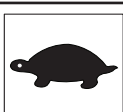




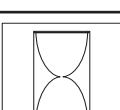

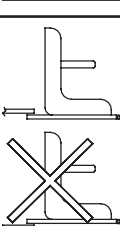



1.2 DIRECTION REFERENCE

The “Right” and “Left”, “Front” and “Rear” of the machine are referenced from the operator’s right and left when seated in the normal operating position and facing the forward travel direction.

1.3 SERVICING THE ENGINE AND DRIVE TRAIN COMPONENTS

The detail servicing and repair of the engine, hydraulic pumps and gearboxes are not covered in this manual; only routine maintenance and general service instructions are provided. For service of these components during the limited warranty period, it is important to contact your Scag dealer or find a local authorized servicing agent of the component manufacturer. Any unauthorized work done on these components during the warranty period may void your warranty.

1.4 SYMBOLS

SYMBOL	DESCRIPTION	SYMBOL	DESCRIPTION
	Choke		Transmission
	Parking Brake		Spinning Blade
	On/Start		Spring Tension on Idler
	Off/Stop		Oil
	Falling Hazard		Thrown Object Hazard
	Fast		Slow
	Continuously Variable - Linear		Cutting Element - Basic Symbol
	Pinch Point		Cutting Element - Engage
	Hour meter/Elapsed Operating Hours		Cutting Element - Disengage
	STT MODELS Seat must be installed under the seat hold down bracket during installation. Failure to secure the seat under the hold down bracket could result in serious injury or death in a roll over.		CE Mark
	Thrown Object Hazard Keep Bystanders Away		Read Operator's Manual

SAFETY INFORMATION

2.1 INTRODUCTION

Your mower is only as safe as the operator. Carelessness or operator error may result in serious bodily injury or death. Hazard control and accident prevention are dependent upon the awareness, concern, prudence, and proper training of the personnel involved in the operation, transport, maintenance and storage of the equipment. Make sure every operator is properly trained and thoroughly familiar with all of the controls before operating the mower. The owner/user can prevent and is responsible for accidents or injuries occurring to themselves, other people or property.

READ THIS OPERATOR'S MANUAL BEFORE ATTEMPTING TO START YOUR MOWER.

A replacement manual is available from your authorized Scag Service Dealer or by contacting Scag Power Equipment, Service Department at P.O. Box 152, Mayville, WI 53050 or contact us via the Internet at www.scag.com. The manual for this machine can be downloaded by using the model and serial number or use the contact form to make your request. Please indicate the complete model and serial number of your Scag product when requesting replacement manuals.

2.2 SIGNAL WORDS



This symbol means "**Attention! Become Alert! Your Safety is Involved!**" The symbol is used with the following signal words to attract your attention to safety messages found on the decals on the machine and throughout this manual. The message that follows the symbol contains important information about safety. To avoid injury and possible death, carefully read the message! Be sure to fully understand the causes of possible injury or death.

SIGNAL WORD:

It is a distinctive word found on the safety decals on the machine and throughout this manual that alerts the viewer to the existence and relative degree of the hazard.

DANGER

The signal word "DANGER" denotes that an extremely hazardous situation exists on or near the machine that could result in high probability of death or irreparable injury if proper precautions are not taken.

WARNING

The signal word "WARNING" denotes that a hazard exists on or near the machine that can result in injury or death if proper precautions are not taken.

CAUTION

The signal word "CAUTION" is a reminder of safety practices on or near the machine that could result in personal injury if proper precautions are not taken.

Your safety and the safety of others depends significantly upon your knowledge and understanding of all correct operating practices and procedures of this machine.

2.3 BEFORE OPERATION CONSIDERATIONS

1. NEVER allow children to operate this riding mower. Do not allow adults to operate this machine without proper instructions.
2. Do not mow when children and/or others are present. Keep children out of the mowing area and in the watchful care of a responsible adult other than the operator. Be alert and turn machine off if a child enters the area.
3. DO NOT allow children to ride or play on the machine, it is not a toy.
4. Clear the area to be mowed of objects that could be picked up and thrown by the cutter blades.
5. DO NOT carry passengers.
6. DO NOT operate the machine under the influence of alcohol or drugs.

7. If the operator(s) or mechanic(s) cannot read English or Spanish, it is the owner's responsibility to explain this material to them.
8. DO NOT wear loose fitting clothing. Loose clothing, jewelry or long hair could get tangled in moving parts. Do not operate the machine wearing shorts; always wear adequate protective clothing including long pants. Wearing safety glasses, safety shoes and a helmet is advisable and is required by some local ordinances and insurance regulations.

WARNING

Always wear hearing protection. Operating this machine over prolonged periods of time can cause loss of hearing.

9. Keep the machine and attachments in good operating condition. Keep all shields and safety devices in place. If a shield, safety device or decal is defective or damaged, repair or replace it before operating the machine.

WARNING

This machine is equipped with an interlock system intended to protect the operator and others from injury. This is accomplished by preventing the engine from starting unless the deck drive is disengaged, the parking brake is on, the steering control levers are in the neutral position and the operator is in the seat. The system shuts off the engine if the operator leaves the seat with the deck drive engaged and/or the steering control levers are not in the neutral position and the parking brake is not engaged. Never operate equipment with the interlock system disconnected or malfunctioning.

10. Be sure the interlock switches are functioning correctly.
11. Fuel is flammable; handle it with care. Fill the fuel tank outdoors. Never fill it indoors. Use a funnel or spout to prevent spillage. Clean up any spillage before starting the engine.

12. DO NOT add fuel to a running or hot engine. Allow the engine to cool for several minutes before adding fuel. Never fuel indoors or inside enclosed trailers.
13. Keep flammable objects (cigarettes, matches, etc.), open flames and sparks away from the fuel tank and fuel container. Use only approved containers.
14. Equipment must comply with the latest requirements per SAE J137 and/or ANSI/ASAE S279 when driven on public roads.

- NOTE -

If the mower is driven on public roads, it must comply with state and local ordinances as well as SAE J137 and/or ANSI/ASAE S279 requirements. Contact your local authorities for regulations and equipment requirements.

15. Do not operate without the side discharge chute installed and in the down position or with an optional grass catcher or mulch plate completely installed.
16. Check the blade mounting bolts at frequent intervals for proper tightness.
17. Make sure all hydraulic fluid connections are tight and all hydraulic hoses and lines are in good condition before starting the machine.

2.4 OPERATION CONSIDERATIONS

1. Know the function of all controls and how to stop quickly.

WARNING

DO NOT operate on steep slopes. To check a slope, attempt to back up it (with the cutter deck down). If the machine can back up the slope without the wheels slipping, reduce speed and use extreme caution. Under no circumstances should the machine be operated on slopes greater than 15 degrees. ALWAYS FOLLOW OSHA APPROVED OPERATION.

2. Reduce speed and exercise extreme caution on slopes and in sharp turns to prevent tipping or loss of control. Be especially cautious when changing directions on slopes.

Section 2

3. To prevent tipping or loss of control, start and stop smoothly, avoid unnecessary turns and travel at reduced speed.
4. When using any attachment, never direct the discharge of material toward bystanders or allow anyone near the machine while in operation.
5. Before attempting to start the engine, with the operator in the seat, disengage power to the cutter deck, place the steering control levers in the neutral position and engage the parking brake.
6. If the mower discharge ever plugs, shut off the engine, remove the ignition key, and wait for all movement to stop before removing the obstruction.


WARNING

DO NOT use your hand to dislodge the clogged discharge chute. Use a stick or other device to remove clogged material after the engine has stopped running and the blades have stopped turning.

7. Be alert for holes, rocks, roots and other hidden hazards in the terrain. Keep away from any drop-offs. Beware of overhead obstructions (low limbs, etc.), underground obstacles (sprinklers, pipes, tree roots, etc.). Cautiously enter a new area. Be alert for hidden hazards.
8. Disengage power to cutter deck before backing up. Do not mow in reverse unless absolutely necessary and then only after observation of the entire area behind the mower. If you must mow in reverse, maintain a constant lookout to the rear of the machine and mow slowly.
9. DO NOT turn sharply. Use care when backing up.
10. Disengage power to cutter deck before crossing roads, walks or gravel drives.
11. Mow only in daylight or good artificial light.
12. NEVER raise the deck with the blades engaged.
13. Take all possible precautions when leaving the machine unattended, such as disengaging the mower, lowering the attachments, setting the parking brake, stopping the engine, and removing the key.
14. Disengage power to the attachments when transporting or when not in use.

15. The machine and attachments should be stopped and inspected for damage after striking a foreign object, and damage should be repaired before restarting and operating the machine.


CAUTION

Do not touch the engine or the muffler while the engine is running or immediately after stopping. These areas may be hot enough to cause a burn.


DANGER

DO NOT run the engine inside a building or a confined area without proper ventilation. Exhaust fumes are hazardous and contain carbon monoxide which can cause brain injury and death.

16. Keep hands and feet away from cutter blades and moving parts. Contact can injure.
17. Transport the mower using a heavy duty trailer or truck. Insure the trailer or truck has all of the necessary lighting and markings as required by laws, codes, and ordinances. Secure a trailer with a safety chain.
18. Be cautious when loading and unloading onto trailers or trucks. Use only a full width ramp. Ramp angle should be no more than 15 degrees. Back up the ramp and drive down forward.
19. When transporting the mower, make sure the park brake is engaged, the steering control levers are in the neutral position, the engine is off with the key removed, and the wheels have been blocked.
20. Tie the mower down securely using straps, chains, cable, or ropes. Both front and rear straps must be directed down and outward from machine.
21. Use care when approaching blind corners, shrubs, trees, or other objects that may obscure vision.
22. NEVER leave the machine running unattended.

2.5 ROLL-OVER PROTECTION SYSTEM

WARNING

Reduce speed when turning, operating on slopes, slick or wet surfaces. Allow extra distance to stop.

Stay off of slopes too steep for safe operation. To check a slope, attempt to back up it (with the cutter deck down). If the machine can not back up the slope without the wheels slipping, do not operate the machine on this slope. Under no circumstances should the machine be operated on slopes greater than 15 degrees.

DO NOT mow near drop-offs, ditches or embankments. The machine could suddenly roll over if a wheel goes over the edge or if the edge caves in.

Operate the machine smoothly, no sudden turns, starts or stops on a slope.

NEVER tow on slopes. The weight of the towed equipment may cause loss of traction and loss of control.

DO NOT permit untrained personnel to operate the machine.

Be cautious when loading and unloading onto trailers or trucks.

Use only a full width ramp.

Ramp angle should be no more than 15 degrees.

Back up the ramp and drive down forward.

This mower has been designed for good traction and stability under normal mowing conditions. However, caution must be used when traveling on slopes, especially when the grass is wet. Do not mow on wet grass. Wet grass reduces traction and steering control.

Any or all parts of the Roll-Over Protection System **MUST NOT** be removed. Failure to adhere to this guideline could result in injury or death.

FOLDABLE ROLL-OVER PROTECTION SYSTEM (IF EQUIPPED)

WARNING

Keep the roll bar in the raised and locked position and the seat belt securely fastened during operation. Failure to do so could cause serious injury or loss of life.

Lower the roll bar only when absolutely necessary.

WARNING

There is no roll-over protection when the roll bar is in the down position.

Lower the roll bar only when absolutely necessary.

Raise the roll bar as soon as clearance permits.

DO NOT wear the seat belt when the roll bar is in the down position.

ALWAYS wear seat belt when roll bar is in the up position.

Operate the machine smoothly, no sudden turns, starts or stops.

Check the area carefully before mowing for proper overhead clearance (i.e. branches, doorways, etc.).

DO NOT contact any overhead object with the roll bar.

1. To lower the roll bar, loosen the tension knob on both the left hand and right hand bar. See Figure 2-1.

Section 2

2. Remove the hairpin cotter pins and remove the two (2) lock pins. See Figure 2-2.
3. Lower the roll bar to the down position.
4. To raise the roll bar, lift the bar to the upright position.
5. Install the two (2) lock pins through the hole, secure with the two (2) hairpin cotter pins and tighten the tension knobs. See Figure 2-2. Remove the seat belt from the retainer brackets.

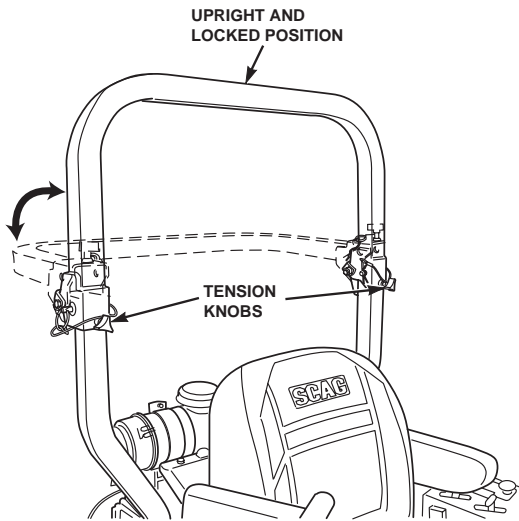


Figure 2-1. Foldable Roll-Over Protection System

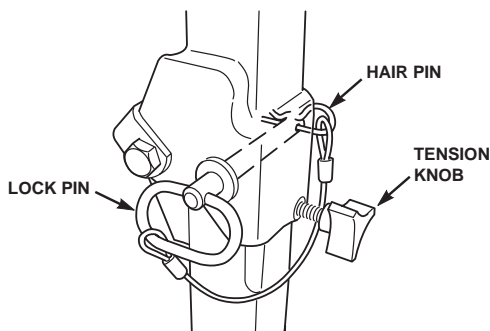


Figure 2-2. ROPS Hinge

The potential exposure of the seat belt to severe environmental conditions make it crucial to inspect the seat belt system regularly.

It is recommended that the seat belt be inspected on a daily basis for signs of damage. Any seat belt system that shows cuts, fraying, extreme or unusual wear, significant discoloration due to UV exposure, dirt or stiffness, abrasion to the seat belt webbing, or damage to the buckle, latch plate, hardware or any other obvious problem should be replaced immediately.

WARNING

Failure to properly inspect and maintain the seat belt can cause serious injury or loss of life.

1. Check the full length of the seat belt webbing for cuts, wear, fraying, dirt and stiffness. See Figure 2-3.
2. Check the seat belt webbing in areas exposed to ultra violet rays from the sun or extreme dust or dirt. If the original color of the webbing in these areas is extremely faded and/or is packed with dirt, the physical strength of this webbing may have deteriorated. If this condition exists, replace the seat belt system.
3. Check the buckle and latch for proper operation and determine if the latch plate is excessively worn, deformed, or if the buckle is damaged or cracked. See Figure 2-3.

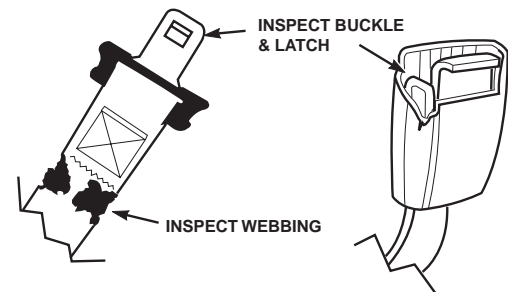


Figure 2-3. Seat Belt Inspection

2.6 MAINTENANCE CONSIDERATIONS & STORAGE

1. Never make adjustments to the machine with the engine running unless specifically instructed to do so. If the engine is running, keep hands, feet, and clothing away from moving parts.
2. Disengage drives, lower implement, set parking brake, stop engine and remove key or disconnect spark plug wire to prevent accidental starting of the engine when servicing or adjusting the machine. Wait for all movement to stop before adjusting, cleaning or repairing.
3. Disconnect battery or remove spark plug wire before making any repairs. Disconnect the negative terminal first and the positive last. Reconnect the positive first and the negative last.
4. Keep all nuts, bolts and screws tight, to ensure the machine is in safe working condition. Check blade mounting bolts frequently to be sure they are tight.
5. Do not change the engine governor settings or overspeed the engine. See the engine operator's manual for information on engine settings.
6. To reduce fire hazard, keep the cutting units, drives, muffler and engine free of grass, leaves, excessive grease, oil and dirt.
7. Park the machine on level ground and engage the parking brake.
8. NEVER allow untrained personnel to service the machine.
9. Use care when checking blades. Use a Blade Buddy, wrap the blade(s) or wear gloves and USE CAUTION when servicing blades. Only replace blades. NEVER straighten or weld blades.
10. Keep all parts in good working condition. Replace all worn or damaged decals.
11. Use jack stands to support components when required.
12. Carefully release pressure from components with stored energy.
13. Let the engine cool before storing.
14. DO NOT store the machine near an open flame.
15. Shut off fuel while storing or transporting.
16. DO NOT store fuel near flames or drain indoors.
17. Charge batteries in an open, well ventilated area, away from spark and flames. Unplug charger before connecting or disconnecting from battery. Wear protective clothing and use insulated tools.

WARNING

Hydraulic fluid is under high pressure. Keep body and hands away from pinholes or nozzles that eject hydraulic fluid under high pressure. If you need service on your hydraulic system, please see your authorized Scag dealer. If hydraulic fluid is injected into the skin, it must be surgically removed within a few hours by a doctor or gangrene may result.

Section 2

2.7 SAFETY AND INSTRUCTIONAL DECALS

DANGER

SPINNING BLADES

KEEP CLEAR

BLADE CONTACT & THROWN OBJECTS CAN INJURE

483407

483407

WARNING

INSTALL BELT COVER BEFORE OPERATING MACHINE

READ OPERATOR'S MANUAL

483402

483402

WARNING

ROTATING BLADES AND BELTS

- Keep hands, feet & clothing clear
- Keep all guards in place
- Shut off engine & disengage blade clutch before servicing
- Use caution in directing discharge
- Read instruction manual before operating

DO NOT OPERATE UNLESS GRASS CATCHER, MULCHING KIT OR DISCHARGE CHUTE IS INSTALLED

483406

FORWARD

F

R

REVERSE

481568

IMPORTANT

Operation on slopes can be hazardous.

This machine was originally equipped with a Rollover Protection Device with a Roll Bar and Seat Belt.

See your dealer if either is missing or damaged.

483425

483425

CAUTION

Avoid injury from burns. Shut off engine before removing fuel tank cap.

483397

483397

WARNING

Replace seat only with Scag approved seat with seat mounting provisions and Scag approved seat belts.

Failure to follow these directions could result in injury or death in the event of a rollover.

483633

WARNING

The seat **MUST** be installed under the seat hold down bracket during installation. Failure to secure the seat under the hold down bracket could result in serious injury or death in a rollover.

483429

483429

WARNING

SERIOUS INJURY OR DEATH MAY RESULT FROM MACHINE ROLLOVER

Failure to follow these instructions could result in serious injury or death

Do not operate machine on steep slopes or near drop offs

Avoid sharp and/or quick turns

Do not exceed the machine weight rating of the ROPS

Always use seat belt

Do not jump if machine tips

If ROPS is foldable:

Always keep ROPS fully extended

WHEN ROPS MUST BE DOWN:

Do not use the seat belt

Drive with extra care

If equipped with seat platform:

Do not operate machine without seat platform pin in place

286304500

483300

IMPORTANT ADJUSTMENT PROCEDURES

READ OPERATOR'S MANUAL FOR MORE DETAILS

Check tire pressure - (Drive tires-12 psi, Caster tires-25 psi)

NEUTRAL ADJUSTMENT

Loosen jam nuts

Rotate turnbuckle

With an operator in the seat, engine running, control levers in neutral and the parking brake disengaged - adjust control linkage. Loosen jam nuts. If wheel rotates forward, adjust turnbuckle CCW. If wheel rotates rearward, adjust turnbuckle CW. Adjust until drive wheel stops turning. Tighten jam nuts. Repeat for opposite side.

TRACKING ADJUSTMENT

If the machine pulls to the right, adjust LH control linkage CCW to slow left wheel. If the machine pulls to the left, adjust RH control linkage CCW to slow right wheel. Readjust neutral if necessary.

FREE WHEEL OPERATION

To move machine without running the engine, rotate both dump valves located at the LH side of the pumps CCW 1/2 turn to "freewheel" positions. Return dump valves to original position to operate the mower. Tighten to 7-10 ft-lbs.

HYDRAULIC FLUID LEVEL

Check hydraulic fluid level while fluid is cool. Fluid level should be 3" below top of filler neck. Fill with SAE 20W50 motor oil only.

Gearbox Lubricant:
SAE 80W90 gear oil

IMPORTANT

DRIVESHAFT MAINTAINANCE

Grease yokes 3-4 pumps Every 200 hours

Grease spline 8-10 pumps Every 50 hours

IMPORTANT

Do not overfill. Room for hot fluid expansion must be allowed or resulting expansion may cause leaks in the system.

482710

482710

START/DRIVE PROCEDURE

- Engage parking brake
- Disengage mower deck drive
- Move control handles to neutral lock position
- Start engine
- Release parking brake
- Select forward or reverse with hydro control handles

WARNING

AVOID SERIOUS INJURY OR DEATH

- Read the Operator's Manual
- Solicite etiquetas en español a un distribuidor Scag
- Operate only on slopes you can back up and never on slopes greater than 15 degrees
- If machine stops going uphill, stop blades and back down slowly
- Avoid sudden turns
- Do not mow when children or others are around
- Never carry children even with blades off
- Look down and behind before and while backing
- Keep safety devices (guards, shields, switches, etc.) in place and working
- Remove objects that could be thrown by the blades
- Trained operators only

483444

483444

SPECIFICATIONS

3.1 ENGINE

General Type	Heavy Duty Industrial/Commercial Gasoline
Model:	
Scag Model STT52V-27CH, STT61V-27CH.....	Kohler Command CH740S
Scag Model STT61V-27KA	Kawasaki FD750D
Scag Model STT61V-29DFI-SS, STT-29DFI-SS	Kawasaki FD791D
Scag Model STT61V-35BV-SS, STT-35BV.....	Briggs & Stratton 613177
Horsepower @ 3800 RPM:	
Scag Model STT52V-27CH, STT61V-27CH.....	27HP (Kohler Spec. #PS-CH740-3114)
Scag Model STT61V-27KA	27HP (Kawasaki Spec. #FD750D-CS08)
Scag Model STT61V-29DFI-SS, STT-29DFI-SS	29HP (Kawasaki Spec. #FD791D-CS04)
Scag Model STT61V-35BV-SS, STT-35BV-SS.....	35HP (Briggs & Stratton 613177-11454-E1)
Displacement:	
Kohler CH740S.....	725cc
Kawasaki FD750D and FD791D	745cc
Briggs & Stratton	993cc
Type:	
Kohler	4-Cycle, Air-Cooled, Naturally Aspirated Gasoline, OHV
Kawasaki (FD750D)	4-Cycle, Air-Cooled, Naturally Aspirated Gasoline, OHV
Kawasaki (FD791D)	4-Cycle, Liquid-Cooled, Digital Fuel Injection Gasoline, OHV
Briggs & Stratton	4-Cycle, Liquid-Cooled, Naturally Aspirated Gasoline, OHV
Cylinders.....	2 with Cast Iron Sleeves
Governor.....	Mechanical Type with Variable Speed Control Set At 3800 RPM
Idle Speed:	
Kohler	1400 RPM
Kawasaki	1400 RPM
Briggs & Stratton	1750 RPM
Carburation:	
Kohler	Fixed Jet Carburetor with Smart-Choke™ and Fuel Shutdown Solenoid
Kawasaki (FD750D)	Fixed Jet Downdraft Carburetor
Kawasaki (FD791D)	Digital Fuel Injection
Briggs & Stratton	Fixed Jet Sidedraft Carburetor
Fuel Pump:	
Kohler	Mechanical with In-Line Fuel Filter
Kawasaki	High Pressure Electric with In-Line Fuel Filter
Briggs & Stratton	Vaccum Pulse with In-Line Fuel Filter
Fuel.....	Non-Leaded Gasoline with a Minimum Octane Rating of 87
Oil Pump.....	Full Pressure w/Full-Flow Filter
Starter.....	Electric Starting with Solenoid Shift
Belts.....	Kevlar cord. Self-adjusting, Self-tightening

3.1 ELECTRICAL

Battery	12 Volt
Charging System.....	Alternator
Charging Output:	
Kohler	12 Volt, 15 Amp
Kawasaki	12 Volt, 20 Amp
Briggs & Stratton	12 Volt, 20 Amp
System Polarity.....	Negative Ground
Interlock Switches.....	Seat, Neutral Control, Mower Engagement (BBC), Parking Brake
Instrument Panel	Ammeter, Key Switch, Throttle Lever, Manual Choke, BBC Switch, Fuses and Safety Start module, Temp. Gauge (KA), Check Engine Indicator (DFI)
Fuses.....	Two (2) 20 Amp

Section 3

3.1 POWER HEAD

Drive System	Hydraulic Drive with Two Variable Displacement Pumps and Two Cast-Iron High Torque Motors		
Hydrostatic Pumps	Two Hydro-Gear™ 16 cc/rev. Pumps with Dump Valves		
Drive Wheel Motors:			
.....	Two Hydro-Gear™ or Ross Model TG 15 cu. inch Cast-Iron High Torque Motors		
35BV Engine	Two Hydro-Gear™ 18E Cast-Iron High Torque Motors		
Steering/Travel Control	Twin Lever Fingertip Steering Control with Individual Control to Each Wheel with Gas Spring Dampers		
Parking Brake	Lever Actuated Linkage to Brakes on Both Drive Wheel Axles		
Wheels:			
(2) Front Caster - (52" Deck)	13 X 5.00 Four-Ply, Flat Free		
(2) Front Caster - (61" & 72" Deck)	13 X 6.50 Four Ply, Flat Free		
(2) Drive - (52" Deck).....	23 X 10.50 X 12 Four-Ply Pneumatic Tubeless, Radius Edge		
(2) Drive - (61" & 72" Deck).....	24 x 12 x 12 Four-Ply Pneumatic Tubeless, Radius Edge		
Tire Pressure:			
Front Caster.....	Flat Free		
Drive	12 PSI		
Fuel Tank	10-Gallon Seamless Polyethylene Tank with Large Opening and Fuel Gauge Fill Cap		
Seat	Padded, Thick Cushion with Tall Back Rest		
Travel Speed.....	27HP	29HP	35HP
Forward	0-10 MPH	0-12 MPH	0-12 MPH
Reverse	0-5 MPH	0-6 MPH	0-6 MPH
-NOTE- The machine will travel at 10 mph or 12 mph for transport purposes. For best cutting performance the forward travel speed should be adjusted depending upon the cutting conditions.			

3.1 CUTTER DECK

Type.....	Floating, Adjustable, Anti-Scalping, Hybrid Design Combines Out-Front and Belly-Mount Designs		
Construction	Tri-Plate deck construction		
Top of deck consists of three steel plates totaling nearly 1/2" of steel.,7-gauge (3/16") deck skirt.			
True Cutting Width:			
52V	52" (132.0 cm)		
61V	61" (155.0 cm)		
72VS.....	71.5" (181.6 cm)		
72A.....	71.5" (181.6 cm)		
Cutting Height Adjustment.....	Foot-Operated Lever Adjustment from Operator's Seat, 1.0" to 6.0" in 1/4"increments		
Cutter Blades.....	.197 or .250 Thick, Milled Edge, Wear Resistant Marbain™		
52V	Three (3) 18" blades		
61V	Three (3) 21" blades		
72VS.....	Three (3) 24.5" blades		
72A.....	Three (3) 24.5" blades		
Blade Engagement.....	Electric Blade Engagement Clutch with Control Panel Switch Connected to the Cutter Deck Gearbox through a Drive Shaft.		
Discharge Opening.....	Extra-Wide Discharge Opening with Spring-Loaded Discharge Chute and Turbo Baffle		
Discharge Chute.....	Black, Polypropylene (Plastic), Flexible		
Spindles.....	Heavy-Duty 1-1/8" Top Dimension Spindle Shaft, Cast Housing, Taper Roller Bearing, Low Maintenance with Top Access Grease Fitting and Grease Overfill Relief Poppet		
Spindle Pulleys	Split Steel with Easily Removed Taper Hubs		
Cutter Deck Belts.....	B-Section with Kevlar Cord, Self-Adjusting, Self-Tightening		
Electric Clutch Type	Ogura Heavy Duty PTO Clutch Brake		
Drive Shaft.....	Clamp Yoke Shaft With Two High-Speed U-Joints		

3.1 HYDRAULIC SYSTEM

Hydraulic Oil Filter 10 Micron Spin-on Element Type
 Hydraulic Reservoir Nylon; 3 Quart Capacity

3.1 WEIGHTS AND DIMENSIONS

	52V	61V	72A / 72VS
Length.....	83"	87.5"	90"
Tracking Width.....	51"	56"	56"
Overall Width w/chute down.....	64.5"	73.5"	83"
Overall Width w/chute up.....	53"	62"	73"
Overall Height w/ROPS up.....	67.5"	67.5"	67.5"
Overall Height w/ROPS down.....	56.5"	56.5"	56.5"
Operating Weight w/ROPS.....	1250#	1350#	1400#
Operating Weight w/ROPS and 35BV Engine.....	NA	1445#	1495#

3.1 PRODUCTIVITY

	52V	61V	72A / 72VS
Cutting Width.....	52"	61"	72"
Acres Per Day.....	20.2	23.7	28

The preceding chart will aid you in determining how many acres your Scag mower will cut per day. The chart is an estimate based on 8 hours per day cutting time at 6 MPH with a 20% allowance for overlap and turns.

OPERATING INSTRUCTIONS

CAUTION

Do not attempt to operate this mower unless you have read this manual. Learn the location and purpose of all controls and instruments before you operate this mower.

4.1 CONTROLS AND INSTRUMENT IDENTIFICATION

Before operating the mower, familiarize yourself with all mower and engine controls. Knowing the location, function and operation of these controls is important for safe and efficient operation of the mower.

1. **Ignition Switch (Figure 4-1).** The ignition switch is used to start the engine and has three positions; OFF, ON, and START.

2. **Mower Deck Switch (Figure 4-1).** Used to engage and disengage the mower drive system. Pulling up on the switch will engage the deck drive. Pushing down on the switch will disengage the deck drive.
3. **Engine Choke Control (Figure 4-1).** Used to start a cold engine. Not used on the 29DFI.
4. **Engine Throttle Control (Figure 4-1).** Used to control the engine speed. Pushing the lever forward increases engine speed. Pulling the lever back decreases engine speed. Full back position is the IDLE position. Full forward is the cutting position.
5. **Ammeter (Figure 4-1).** Indicates the condition of the charging system. When the engine is running the needle should be toward the positive end of the meter. If the needle is toward the negative end of the meter, this indicates a discharge condition and the machine should be taken in for service.

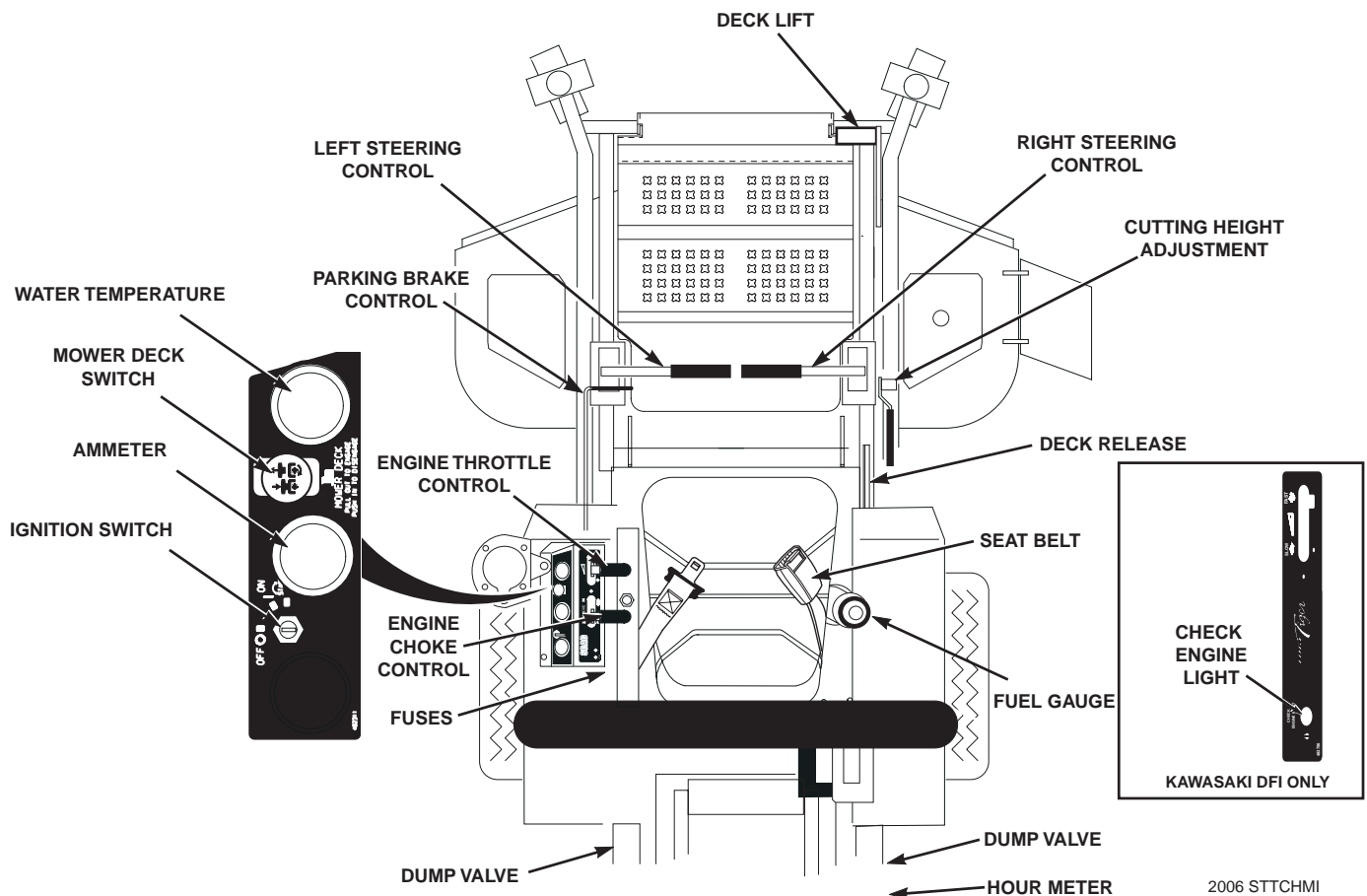


Figure 4-1. Controls and Instruments

6. **Hourmeter (Figure 4-1).** Indicates the number of hours the engine has been operated. It only operates when the engine is running. Has preset maintenance reminders for engine and hydraulic system oil changes. Will start flashing scheduled maintenance 2 hours before preset time and continue flashing until 2 hours after. Automatically resets.
7. **Fuse Holders (Figure 4-1).** Two 20-amp fuses protect the mower's electrical system. To replace fuses, pull fuse out of the socket and install a new fuse.
8. **Left Steering Control (Figure 4-1).** Used to control the mower's left wheel when traveling forward or reverse.
9. **Right Steering Control (Figure 4-1).** Used to control the mower's right wheel when traveling forward or reverse.
10. **Parking Brake Control (Figure 4-1).** Used to engage and disengage the parking brakes. Pull the lever back to engage the parking brakes. Push the lever forward to disengage the parking brakes.
11. **Fuel Tank Gauge (Figure 4-1).** Indicates the amount of fuel in the fuel tank.
12. **Dump Valve Control Levers (Figure 4-2).** Located on the hydraulic pumps, used to "free-wheel" the mower. Rotating the levers clockwise until they stop allows the unit to move under hydraulic power. The levers must be in this position and torqued to 10 lb-ft during operation of the mower. Rotating the levers counter-clockwise allows the mower to be moved by hand (free-wheeling).

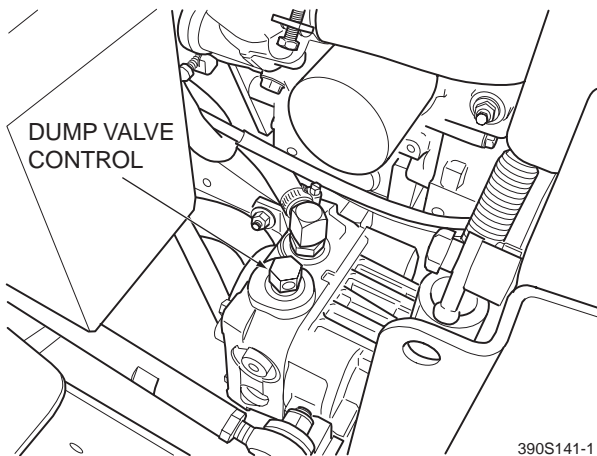


Figure 4-2. Dump Valve Control

14. **Cutting Height Adjustment (Figure 4-1).** Used to set the cutter deck at the desired cutting height.
15. **Deck Release Lever (Figure 4-1).** Used to lock the cutter deck in the transport position. Push the foot pedal forward and pull back on the release lever to release the cutter deck for normal mowing.
16. **Temperature Gauge (Figure 4-1).** Indicates the operating temperature of the engine. Used on mowers with the liquid-cooled engine only.
17. **Check Engine Light (Figure 4-1).** Indicates the operation of the engine sensors on the Kawasaki Digital Fuel Injection (DFI). Light will flash once at initial start up. If a problem occurs with a sensor on the engine, the light will flash a code. See your authorized Scag Dealer for diagnosis and repair.
18. **Seat Belt (Figure 4-1).** Used to secure the operator. Seat belt must be worn at all times when the ROPS is in the upright and locked position.
19. **Seat Hold Down Release Latch (Figure 4-1).** Located behind the seat. Used to secure the seat in the operator's position. Release the latch to gain access under the seat.

4.2 SAFETY INTERLOCK SYSTEM

The mower is equipped with a safety interlock system that prevents the engine from starting unless the deck drive is disengaged, the parking brake is engaged, the steering control levers are in the neutral position and the operator is in the seat. The interlock system shuts off the engine if the operator leaves the seat with the steering control levers not in the neutral position and/or the cutter blades engaged and the parking brake not engaged.

WARNING

Never operate the mower with the interlock system disconnected or malfunctioning. Do not disengage or bypass any switch; injury to yourself and others or property damage could result.

13. **Deck Lift Foot Lever (Figure 4-1).** Used to raise and lower the cutter deck. Push full forward to lock in the transport position.

Section 4

4.3 INITIAL RUN-IN PROCEDURES

FIRST DAY OF USE OR APPROXIMATELY 20 HOURS

1. Check all belts for proper alignment and wear at 2, 4 and 8 hours.
2. Change the engine oil and oil filter after the first 20 hours of operation. (See Section 7.4.)
3. Check hydraulic oil level in reservoir. (See Section 7.3.)
4. Check for loose hardware. Tighten as needed.
5. Check interlock system for proper operation. (See Section 4.2.)
6. Check tire pressure. Adjust pressure if necessary. (See Section 7.10.)

4.4 STARTING THE ENGINE



CAUTION

DO NOT USE STARTING FLUIDS. Use of starting fluids in the air intake system may be potentially explosive or cause a “runaway” engine condition that could result in engine damage and/or personal injury.

1. Be sure the fuel shutoff valve, located behind the operator's seat, is fully open. (See Section 7.5.)
2. Secure the ROPS in the upright and locked position.
3. Sit in the operator's seat, fasten seat belt and place the steering control levers in the neutral position.
4. Engage the parking brake.
5. Place the PTO switch in the disengaged position.
6. If the engine is cold, choke the engine as needed.
7. Move the engine throttle control to about half engine speed.
8. Turn the ignition key to the START position and release the key as soon as the engine starts. Do not hold the key in the START position for more than 15 seconds at a time. Allow at least 60 seconds between each cranking attempt to prevent overheating of the starter motor. Prolonged cranking can damage the starter motor and shorten battery life.

9. Allow engine to warm before operating the mower.

4.5 GROUND TRAVEL AND STEERING

- IMPORTANT -

If you are not familiar with the operation of a machine with lever steering and/or hydrostatic transmissions, the steering and ground speed operations should be learned and practiced in an open area, away from buildings, fences, or obstructions.

Learn the operation on flat ground before operating on slopes.

Start practicing with a slow engine speed and slow forward travel.

Learn to feather the steering controls to obtain a smooth operating action.

Practice operating the mower until you are comfortable with the controls before proceeding to mow.

FORWARD TRAVEL

To travel forward with the mower, disengage the parking brake, pull levers inward out of the neutral lock position and slowly push the steering control levers forward an equal distance. The further the steering control levers are pushed forward the greater the forward speed will be. To increase the speed, push the steering control levers further forward and to decrease the speed, pull the steering control levers back.

To stop the forward travel, pull the steering control levers back to the neutral position.

To steer the mower left while traveling forward, pull the left steering lever back. The further the lever is pulled back, the quicker the mower will turn left.

To steer the mower right while traveling forward, pull the right steering control lever back. The further the lever is pulled back, the quicker the mower will turn right.

- NOTE -

Smooth operation of the steering levers will produce smooth mower operation. While learning the operation of the steering controls, keep the travel speed low.

- IMPORTANT -

Do not travel forward over a curb. The mower will hang up on the curb. Raise the deck and travel backwards over the curb at a 45 degree angle. (See Section 4.1, items 13 - 15, on page 14 for cutter deck raising descriptions.)

REVERSE TRAVEL

⚠ CAUTION

Disengage power to the mower before backing up. Do not mow in reverse unless absolutely necessary and then only after observation of the entire area behind the mower.

⚠ CAUTION

Before backing up, observe the rear for persons and obstructions. Clear the area before backing up. Possible injury or property damage could occur.

To travel in reverse, pull levers inward out of the neutral lock position and pull both handles back. Keep the travel speed low while traveling in reverse.

- NOTE -

The mower may not travel straight in reverse. Slight adjustments may need to be made using the steering controls.

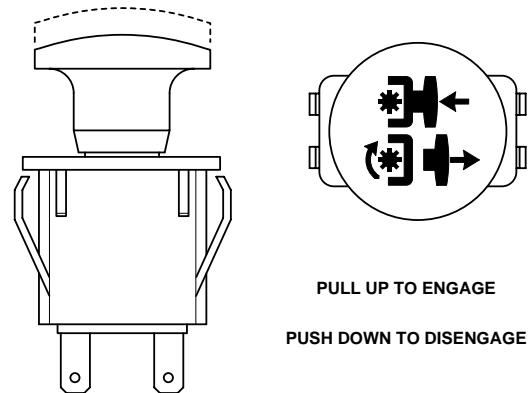
To steer left while traveling in reverse, allow the left steering control lever to move forward. The further the control is allowed to move forward, the quicker the mower will turn left.

To steer right while traveling in reverse, allow the right steering control lever to move forward. The further the control is allowed to move forward, the quicker the mower will turn right.

To stop the reverse travel, allow the steering control levers to return to the neutral position. If the mower is to be parked, place the handles in the neutral lock position and engage the parking brake.

4.6 ENGAGING THE DECK DRIVE (CUTTER BLADES)

1. Set the throttle at about 3/4 speed. Do not attempt to engage the deck drive at high speed as this shortens the electric clutch life — use only moderate engine speed when engaging the deck drive.
2. Engage the deck drive by pulling out on the yellow switch, located on the instrument panel, to the engage position. See Figure 4-3.



390S0138

Figure 4-3. Cutter Engage Switch

- NOTE -

A squealing noise may be heard when engaging or disengaging the deck drive. It is caused by the electric clutch plates meshing as the mower comes up to speed. This is normal.

3. To disengage the deck drive, push the switch in to the disengage position.
4. Always operate the engine at full throttle to properly maintain cutting speed. If the engine starts to lug down, reduce the forward speed and allow the engine to operate at maximum RPM.

Section 4

4.7 HILLSIDE OPERATION

WARNING

DO NOT operate on steep slopes. To check a slope, attempt to back up it (with the cutter deck down). If the machine can back up the slope without the wheels slipping, reduce speed and use extreme caution. Under no circumstances should the machine be operated on slopes greater than 15 degrees. ALWAYS FOLLOW OSHA APPROVED OPERATION.

1. This mower has been designed for good traction and stability under normal mowing conditions. However, caution must be used when traveling on slopes, especially when the grass is wet. Wet grass reduces traction and steering control. The Roll-Over Protection System is standard equipment for this machine. See Section 2.5, page 6 of this manual for further details.
2. To prevent tipping or loss of control, do not start or stop suddenly, avoid unnecessary turns and travel at reduced speed. If tires lose traction, disengage blades and proceed slowly off the slope.
3. Avoid sudden starts when mowing uphill. Sudden starts may cause the machine to tip backwards.
4. Loss of traction may occur when traveling down hill. Weight transfers to the front of the machine and may cause the drive wheels to slip causing loss of braking or steering.
5. Keep tires properly inflated.

4.8 PARKING THE MOWER

1. Park the machine on a flat, level surface only. Do not park the machine on an incline.
2. Place the steering control levers in the neutral position.
3. Disengage the cutter blades.
4. Slow the engine to idle speed.
5. Engage the parking brake.
6. Turn the ignition key to the OFF position and remove the key.

4.9 AFTER OPERATION

1. Wash the entire mower after each use. Do not use high pressure spray or direct the spray onto electrical components.

- IMPORTANT -

Do not wash a hot or running engine. Cold water will damage the engine. Use compressed air to clean the engine if it is hot.

2. Keep the entire mower clean to inhibit serious heat damage to the engine or hydraulic oil circuit.
3. Check the drive belts for proper alignment and any signs of wear. Correct and adjust if necessary.

DANGER

To avoid injury from burns, allow the mower to cool before removing the fuel tank cap and refueling.

4. After the mower has cooled down, fill the fuel tank with fresh, clean fuel at the end of every day of operation. See Engine Owner's Manual for proper octane requirements.
5. Check the tire pressure. Adjust pressure if necessary.

4.10 REMOVING CLOGGED MATERIAL

DANGER

ROTATING BLADES

NEVER PUT YOUR HANDS INTO THE DISCHARGE CHUTE FOR ANY REASON!

Shut off the engine and remove the key and only then use a stick or similar object to remove material if clogging has occurred.

1. If the discharge chute becomes clogged, shut off the engine and remove the ignition key. Using a stick or similar item, dislodge the clogged material. Then resume normal mowing.

4.11 MOVING MOWER WITH ENGINE STOPPED

To “free-wheel” or move the mower around without the engine running, rotate the dump valve levers counter-clockwise. See Figure 4-4. Disengage the parking brake and move the mower by hand. When the machine is in the desired position, engage the parking brake and rotate the levers clockwise until they stop. The dump valve levers must be returned to the DRIVE position and torqued to 10 lb-ft to drive the mower.

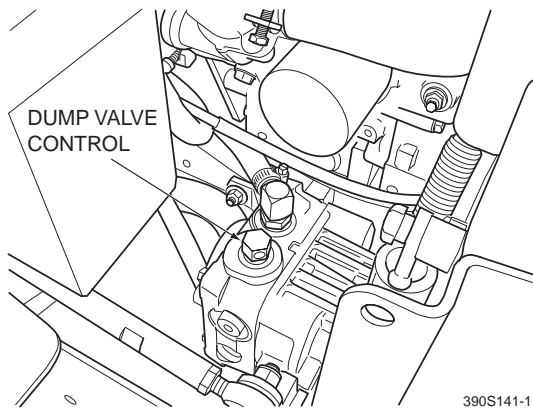


Figure 4-4. Dump Valve Control

4.12 RECOMMENDATIONS FOR MOWING

1. Do not mow with dull blades. A dull blade will tear grass, resulting in poor lawn appearance and reduced mowing power.

WARNING

DO NOT operate without Discharge Chute, Mulching Kit, or entire Grass Catcher properly installed.

2. The discharge chute must not be removed and must be kept in the lowest position to deflect grass clippings and thrown objects downward. Direct the side discharge away from sidewalks or streets to minimize cleanup of clippings. When mowing close to obstacles, direct the discharge away from the obstacles to reduce the chance of property damage by thrown objects.
3. Cut grass when it is dry and not too tall. Do not cut grass too short (cut off 1/3 or less of existing grass for best appearance). Mow frequently.

4. Keep mower and discharge chute clean.
5. When mowing wet or tall grass, mow the grass twice. Raise the mower to the highest setting for the first pass and then make a second pass to the desired height.
6. Use a slow travel speed for trimming purposes.
7. Operate the engine at full throttle for best cutting. Mowing with a lower RPM causes the mower to tear the grass. The engine is designed to be operated at full speed.
8. Use the alternate stripe pattern for best lawn appearance. Vary the direction of the stripe each time the grass is mowed to avoid wear patterns in the grass.

4.13 ADJUSTING CUTTING HEIGHT

The mower deck can be adjusted from a height of 1.0 inch to 6.0 inches at 1/4-inch intervals. To adjust the cutting height:

WARNING

DO NOT adjust the cutting height with the mower blades rotating. Disengage the power to the cutter blades and then adjust cutting height.

1. Disengage the power to the cutter blades.
2. Push the cutting height adjustment foot pedal all the way forward using your right foot until it locks in place. See Figure 4-5.

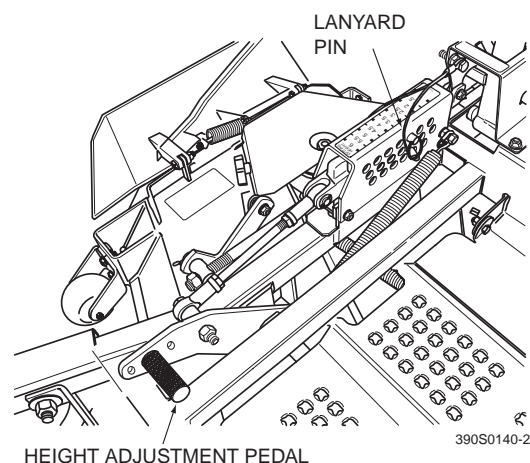


Figure 4-5. Adjusting Cutting Height

Section 4

3. Insert the lanyard pin into the cutting height index at the desired cutting height. Push forward on the deck lift foot lever, hold in place and pull back on the deck release lever. See Figure 4-6. Slowly release the foot pedal. A deck height decal is located on the cutting height index as an aid in adjusting the deck to the desired height. See Figure 4-5.

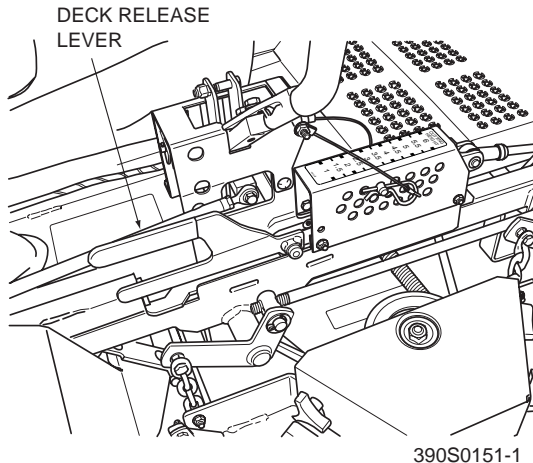


Figure 4-6. Deck Release Lever

4.14 ADJUSTING THE STEERING LEVERS

1. Position the seat to the desired location.
2. While in the operator's position without the engine running, move both steering levers forward and reverse to check for full function control and comfort.
3. If adjustment of the steering levers is needed, use the following instructions to adjust.
 - A. Loosen the tension knob on the lever assembly.
 - B. Rotate the steering lever forward or backward to achieve the optimum operating position.
 - C. Tighten the tension knob and repeat on the opposite side.
 - D. While in the operator's position, bring the steering levers out of the neutral lock position and check to make sure both levers are even before operating.

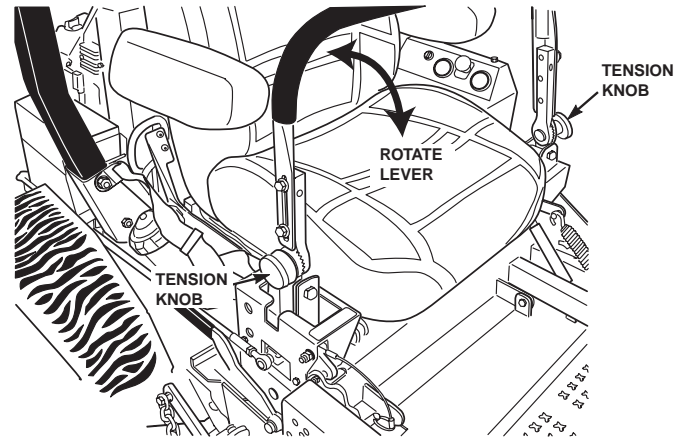


Figure 4-7. Adjusting Steering Levers

4. The control handle can also be adjusted in two different positions. If necessary, remove the two bolts securing the control handle to the control lever. Install the handle in the desired position.

4.15 ADJUSTING THE HEIGHT ADJUST PEDAL

1. Position the seat to the desired location.
2. While in the operator's position with out the engine running, push down on the height adjust pedal to check for full function control.
3. The height adjust pedal can be located in three (3) different positions for operator comfort and control. See Figure 4-8.

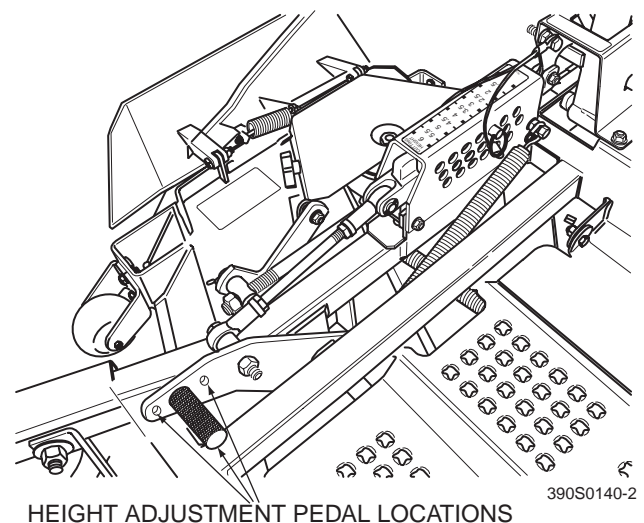


Figure 4-8. Height Adjust Pedal Locations

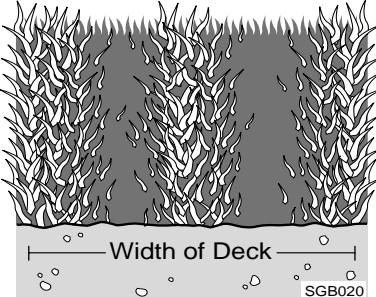
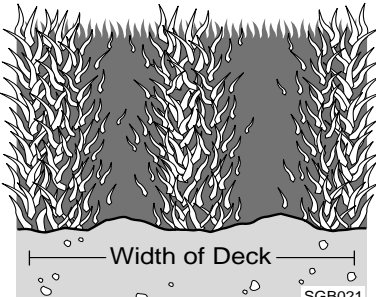
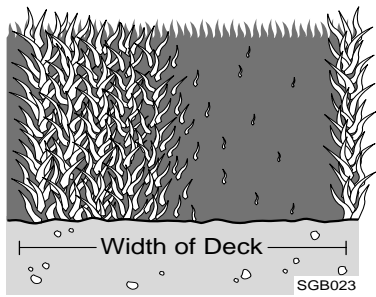
4.16 TOWING (OPTIONAL HITCH ACCESSORY)

1. NEVER allow children or others in or on towed equipment.
2. Tow only with a machine that has a hitch designed for towing. Do not attach towed equipment except at the hitch point.
3. Follow manufacturer's recommendations for weight limit for towed equipment. 250 lbs. maximum towing weight.
4. NEVER tow on slopes. The weight of the towed equipment may cause loss of traction and loss of control.
5. Travel slowly and allow extra distance to stop.
6. Zero-turning with a trailer attached could cause damage to the trailer or mower.

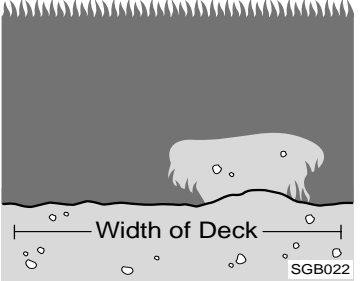
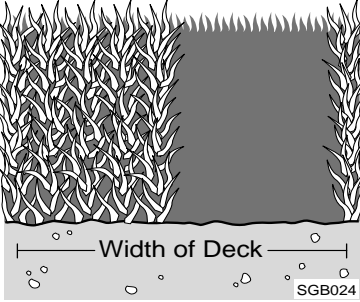
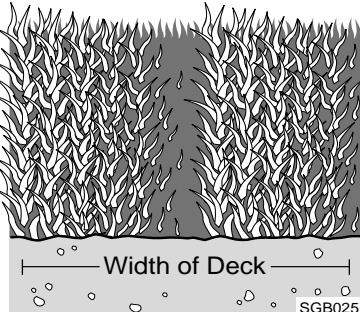
TROUBLESHOOTING CUTTING CONDITIONS

CONDITION	CAUSE	CURE
<p>STRINGERS - OCCASIONAL BLADES OF UNCUT GRASS</p> <p style="text-align: right; font-size: small;">SGB020</p>	Low engine RPM	Run engine at full RPM
	Ground speed too fast	Slow speed to adjust for conditions
	Wet grass	Cut grass after it has dried out
	Dull blades, incorrect sharpening	Sharpen blades
	Deck plugged, grass accumulation	Clean underside of deck
	Belts slipping	Adjust belt tension
<p>STREAKING - STRIPS OF UNCUT GRASS IN CUTTING PATH</p> <p style="text-align: right; font-size: small;">SGB018</p>	Dull, worn blades	Sharpen blades
	Incorrect blade sharpening	Sharpen blades
	Low engine RPM	Run engine at full RPM
	Belt slipping	Adjust belt tension
	Deck plugged, grass accumulation	Clean underside of deck
	Ground speed too fast	Slow speed to adjust for conditions
	Wet grass	Cut grass after it has dried out
	Bent blades	Replace blades
<p>STREAKING - STRIPS OF UNCUT GRASS BETWEEN CUTTING PATHS</p> <p style="text-align: center; font-size: small;">SGB019</p>	Not enough overlapping between rows	Increase the overlap of each pass

TROUBLESHOOTING CUTTING CONDITIONS (CONT'D)

CONDITION	CAUSE	CURE
<p>UNEVEN CUT ON FLAT GROUND - WAVY HIGH-LOW APPEARANCE, SCALLOPED CUT, OR ROUGH CONTOUR</p>  <p style="text-align: right; font-size: small;">SGB020</p>	Lift worn from blade	Replace blade
	Blade upside down	Mount with cutting edge toward ground
	Deck plugged, grass accumulation	Clean underside of deck
	Too much blade angle (deck pitch)	Adjust pitch and level
	Deck mounted improperly	See your authorized SCAG dealer
	Bent spindle area	See your authorized SCAG dealer
	Dull blade	Sharpen blade
<p>UNEVEN CUT ON UNEVEN GROUND-WAVY APPEARANCE, HIGH-LOW SCALLOPED CUT, OR ROUGH CONTOUR</p>  <p style="text-align: right; font-size: small;">SGB021</p>	Uneven ground	May need to reduce ground speed, raise cutting height, and/or change direction of cut
<p>SLOPING RIDGE ACROSS WIDTH OF CUTTING PATH</p>  <p style="text-align: right; font-size: small;">SGB023</p>	Tire pressures not equal	Check and adjust tire pressure
	Wheels uneven	Check and adjust tire pressure
	Deck mounted incorrectly	See your authorized SCAG dealer
	Deck not level side-to-side	Check for level and correct

TROUBLESHOOTING CUTTING CONDITIONS (CONT'D)

CONDITION	CAUSE	CURE
<p>SCALPING - BLADES HITTING DIRT OR CUTTING VERY CLOSE TO THE GROUND</p> 	Low tire pressures	Check and adjust pressures
	Ground speed too fast	Slow speed to adjust for conditions
	Cutting too low	May need to reduce ground speed, raise cutting height, change direction of cut, and/or change pitch and level
	Rough terrain	May need to reduce ground speed, raise cutting height, and/or change direction of cut
	Ground speed too fast	Slow speed to adjust for conditions
	Wet grass	Cut grass after it has dried out
<p>STEP CUT - RIDGE IN CENTER OF CUTTING PATH</p> 	Blades not mounted evenly	Adjust pitch and level
	Bent blade	Replace blade
	Internal spindle failure	See your authorized SCAG dealer
	Mounting of spindle incorrect	See your authorized SCAG dealer
<p>SLOPE CUT - SLOPING RIDGES ACROSS WIDTH OF CUTTING PATH</p> 	Bent spindle mounting area	See your authorized SCAG dealer
	Internal spindle failure	See your authorized SCAG dealer
	Bent deck housing	See your authorized SCAG dealer

ADJUSTMENTS

6.1 PARKING BRAKE ADJUSTMENT

WARNING

Do not operate the mower if the parking brake is not operable. Possible severe injury could result.

The parking brake linkage should be adjusted whenever the parking brake lever is placed in the "ENGAGE" position and the parking brake will allow the mower to move. If the following procedures do not allow you to engage the parking brake properly, contact your Scag dealer for further brake adjustments.

1. Position a floor jack under the rear of the machine. Raise the machine and support it to prevent it from falling. Block the caster wheels to prevent the machine from moving. Remove the drive wheels.
2. With the brake lever in the disengaged position, check the distance between the top of the frame tube and the bottom of the brake handle. The distance should be 2" to 2-1/4". See Figure 6-1.
3. If the distance is not at the specified measurement, adjust by loosening the jam nuts at both ends of the brake control rod and turning the rod until the proper distance is achieved. Tighten the jam nuts. See Figure 6-1.
4. With the brake in the engaged position, check the distance between the lower nut on the brake actuator rod and the brake actuator lever on the LH side of the machine. The distance should be 1/8". See Figure 6-2.
5. If the distance is not at the specified measurement, loosen the jam nut at the clevis on the top of the brake actuator rod. See Figure 6-2.
6. Turn the bolt at the bottom of the brake actuator lever until the 1/8" measurement is achieved and tighten the jam nut at the clevis on the brake actuator rod. See Figure 6-2.
7. Repeat steps 4 though 6 on the RH side of the machine.
8. Replace the drive wheels and test the brake.

- NOTE -

If this procedure does not achieve proper brake adjustment, please contact your authorized Scag dealer.

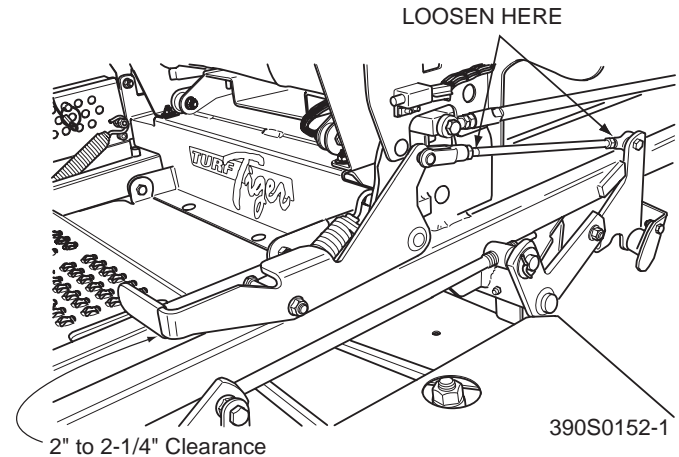


Figure 6-1. Brake Adjustment

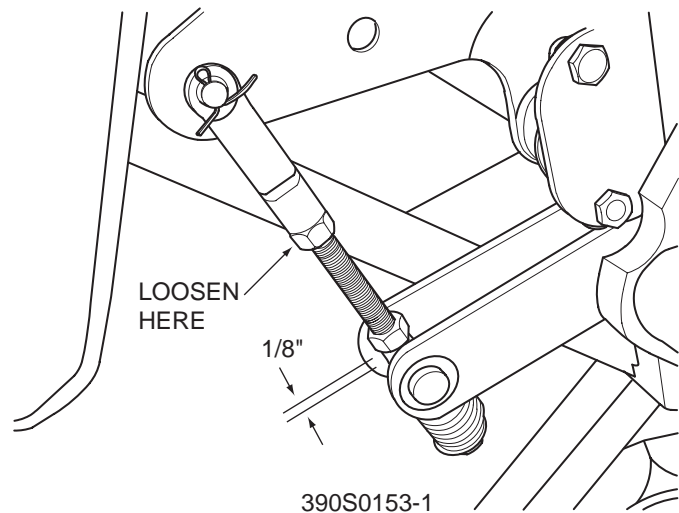


Figure 6-2. Brake Rod Adjustment

Section 6

6.2 TRAVEL ADJUSTMENTS

Neutral or tracking adjustments will need to be made if:

- A. The steering control levers are in the neutral position and the machine creeps forward or backward. See Neutral Adjustment on page 25 (next procedure).
- B. The steering control levers are in the full forward position and the mower pulls to one side or the other when traveling in a forward direction. See Tracking Adjustment on page 26.

NEUTRAL ADJUSTMENT

1. Be sure the dump valve levers are in the run position and the steering control levers are in the neutral lock position.
2. With an operator in the seat, start the engine and disengage the parking brake.
3. Run the engine at full operating speed and check if the machine creeps forward or backwards.
4. Adjust the RH wheel by loosening the jam nuts on the steering control rod and turning the rod until the drive wheel turns in the forward direction. Turn the rod back until the drive wheel stops moving. Turn the rod an additional 1/2 turn. See Figure 6-3.

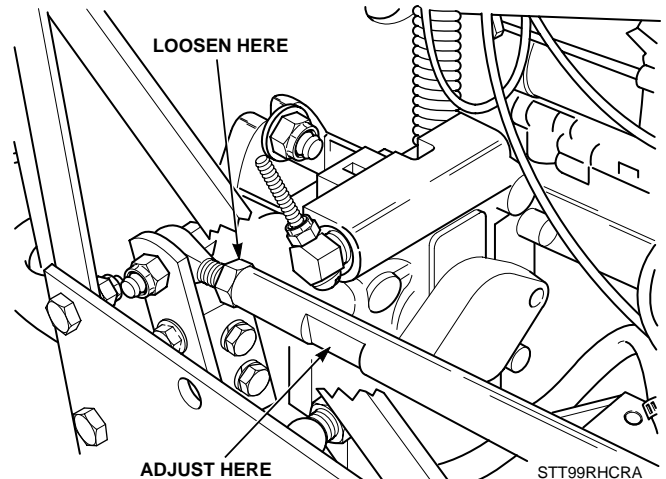
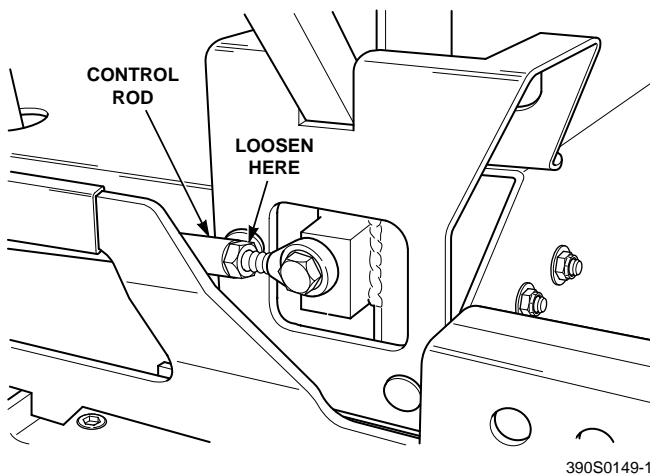


Figure 6-3. RH Steering Control Rod Adjustment

5. Tighten the jam nuts and repeat for the LH wheel. See Figure 6-4.

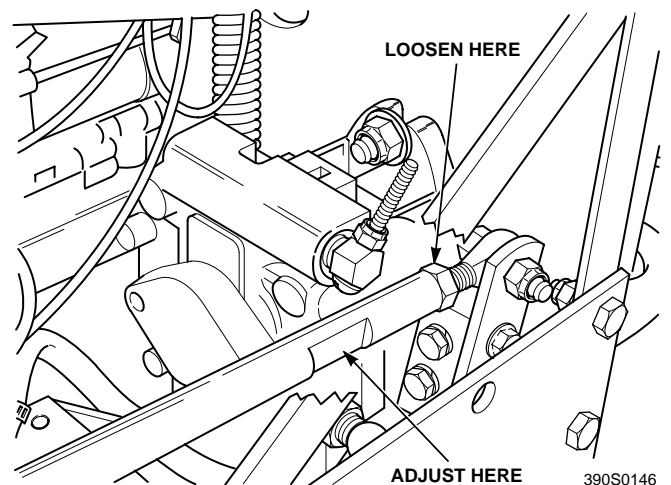
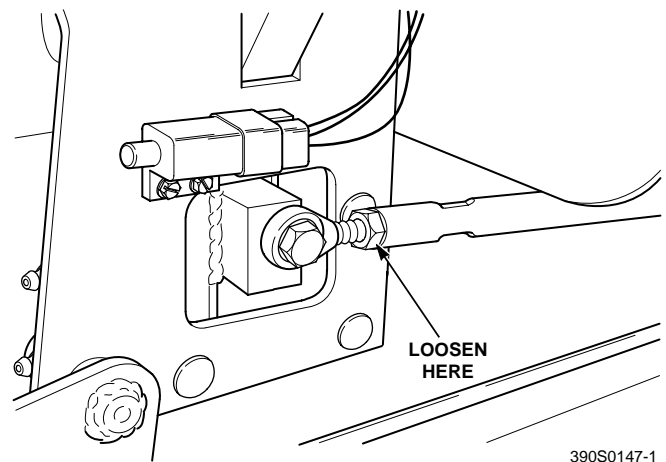


Figure 6-4. LH Steering Control Rod Adjustment

6. Actuate the steering control levers forward and reverse several times and return them to the neutral position.
7. Check that the drive wheels remained in neutral and readjust if necessary.
8. Check that the steering control levers hit the stop before the pumps reach full stroke. Adjust as needed.

TRACKING ADJUSTMENT

CAUTION

Stop the engine and remove the key from the ignition before making any adjustments. Wait for all moving parts to come to a complete stop before beginning work.

CAUTION

The engine and drive unit can get hot during operation causing burn injuries. Allow engine and drive components to cool before making any adjustments.

- NOTE -

Before proceeding with this adjustment, be sure that the caster wheels turn plus pivot freely and that the tire pressure in the drive wheels is correct. If the tire pressure is not correct, the machine will pull to the side with the lower pressure.

1. If at full speed the mower pulls right, it is an indication that the left wheel is turning faster than the right wheel. To adjust this condition, proceed as follows:
 - A. Stop the machine and place the steering control levers in the neutral position. Loosen the lock nuts securing the ball joints at each end of the LH steering control rod. Rotate the control rod to lengthen the rod and tighten the lock nuts. This will cause the control rod to stroke the LH pump less, slowing down the LH wheel. See Figure 6-4.

- NOTE -

If after making the adjustment as outlined in step 1A, the machine creeps forward or backward, perform the neutral adjustment. See Neutral Adjustment on page 25.

2. If at full speed the mower pulls left, it is an indication that the right wheel is turning faster than the left wheel. To adjust this condition, proceed as follows:

A. Stop the machine and place the steering control levers in the neutral position. Loosen the lock nuts securing the ball joints at each end of the RH steering control rod. Rotate the control rod to lengthen the rod and tighten the lock nuts. This will cause the control rod to stroke the RH pump less, slowing down the RH wheel. See Figure 6-3.

- NOTE -

If after making the adjustment as outlined in step 2A, the machine creeps forward or backward, perform the neutral adjustment. See Neutral Adjustment on page 25.

6.3 THROTTLE CONTROL AND CHOKE ADJUSTMENTS

These adjustments must be performed by your Scag dealer to ensure proper and efficient running of the engine. Should either need adjustment, contact your authorized Scag service center.

6.4 BELT ADJUSTMENT

WARNING

Before removing any guards, shut the engine off and remove the ignition key.

All drive belts are spring loaded and self-tensioning, however after the first 2, 4, 8 and 10 hours of operation, the belts should be checked for proper alignment and wear. Thereafter, check the belts after every 40 hours of operation or weekly, whichever occurs first.

Section 6

6.5 BELT ALIGNMENT

Belt alignment is important for proper performance of your Scag mower. If you experience frequent belt wear or breakage, see your authorized Scag service center for belt adjustment.

6.6 CUTTER DECK ADJUSTMENTS

Cutter deck level, pitch and height are set at the factory. However, if these adjustments should ever need to be made, the following procedures will aid in obtaining the proper cutter deck adjustment.

- NOTE -

Before proceeding with the cutter deck adjustments, be sure that all tires are properly inflated.

CUTTER DECK LEVEL

The cutter deck should be level from side-to-side for proper cutting performance. To check for level, be sure that the mower is on a flat, level surface, the tires are properly inflated and the cutter deck is set at the most common cutting height that you will use. On the RH side of the machine, check the distance from the top of the cutter deck to the floor. Next check the distance from the top of the cutter deck to the floor on the LH side of the machine. Both measurements should be the same. If the two measurements are different, the cutter deck level must be adjusted as follows:

1. On the front LH side of the cutter deck locate the cutter deck level adjusting bracket. See Figure 6-5.

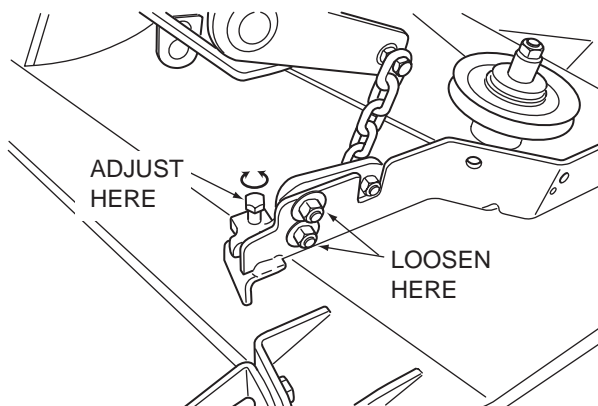


Figure 6-5. Cutter Deck Level Adjustment

2. Loosen the two (2) elastic stop nuts. Adjust the bolt up or down on the adjustment bracket to adjust the cutter deck until the distance from the bottom of the cutter deck to the floor is the same as the measurement on the RH side of the machine.
3. Tighten the two (2) elastic stop nuts to secure the cutter deck in the proper position.

CUTTER DECK PITCH

The pitch of the cutter deck should be equal between the front and rear of the cutter deck for proper cutting performance. To check for proper deck pitch, be sure that the mower is on a flat, level surface and the tires are properly inflated.

Check the distance from the top of the cutter deck to the floor at the rear RH side of the cutter deck directly behind the cutter deck hanging chains. Next check the distance from the top of the cutter deck to the floor at the front RH side of the cutter deck directly in front of the cutter deck hanging chains. The measurement at the front of the cutter deck should be the same as the rear of the deck. Make these measurements at the LH side of the cutter deck also. If the measurement at the front of the deck is not the same, the cutter deck pitch must be adjusted as follows:

1. Loosen the jam nut on both adjusting rods. See Figure 6-6.

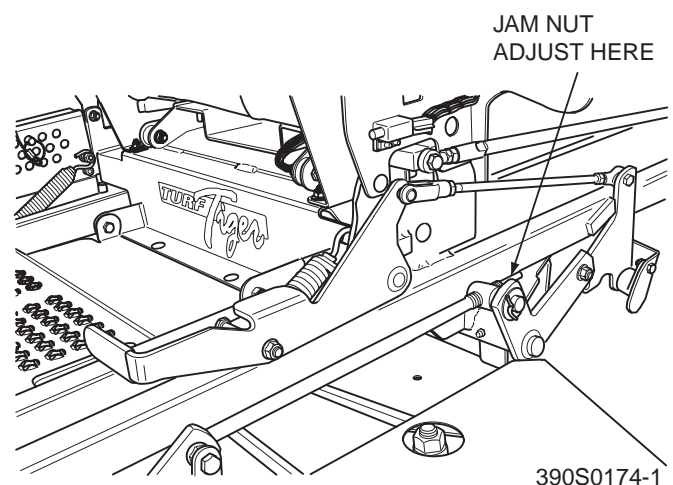


Figure 6-6. Cutter Deck Level Adjustment

2. Using a wrench on the jam nut turn the adjusting rods until the proper pitch is obtained on both the RH and the LH side of the cutter deck. Tighten both jam nuts. See Figure 6-6.

- NOTE -

To prevent the cutter deck from teetering, all four (4) cutter deck hanging chains must have tension on them. If all four chains do not have tension on them and the deck teeters, you must readjust the cutter deck as outlined in the procedures above. All measurements should be taken from the top edge of the deck as the Velocity Plus decks have an uneven bottom edge.

CUTTER DECK HEIGHT

The cutter deck height adjustment is made to ensure that the cutter deck is cutting at the height indicated on the cutting height index gauge. To check for proper deck height, be sure that the mower is on a flat, level surface and the tires are properly inflated.

1. Place the cutter deck in the transport position. Loosen the jam nuts on both ends of the deck height control rod. See Figure 6-7.

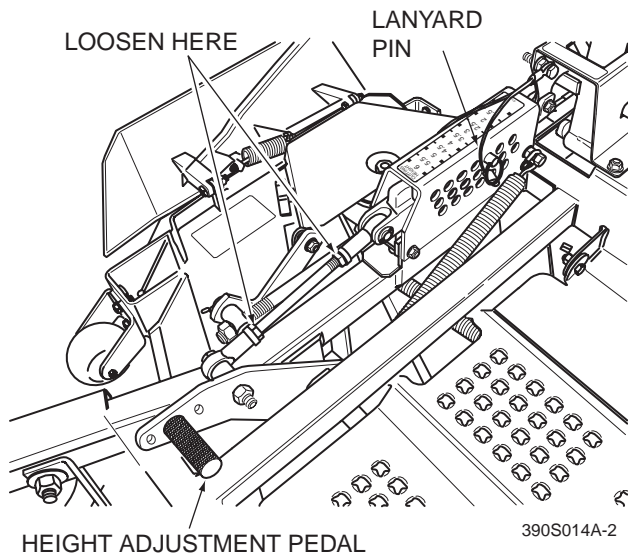


Figure 6-7. Cutter Deck Height Adjustment

2. Turn the control rod (See Figure 6-7) until there is a 1/4" space between the rear deck stop and the top of the cutter deck. See Figure 6-8. Tighten the jam nuts on the control rod.

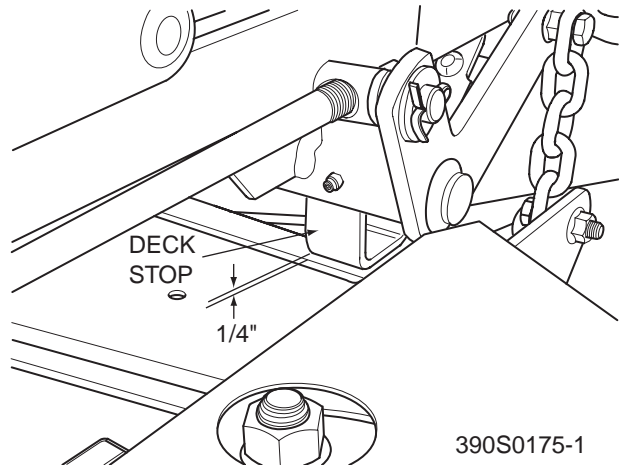


Figure 6-8. Cutter Deck Stop

3. Check the cutter deck cutting height by placing the lanyard pin in the 3" position on the cutting height index. Release the deck from the transport position and allow the deck to move to the 3" cutting height position.
4. Check the measurement from the floor to the cutter blade tip. If the measurement is not at 3", an adjustment can be made using the deck height control rod. See Figure 6-7.

- NOTE -

If an adjustment had to be made, be sure that the cutter deck can easily be locked into the transport position.

6.7 CUSTOM-CUT BAFFLE ADJUSTMENT

The Custom-Cut Baffle is designed to deliver optimum airflow and superior cutting performance in any type of grass. The Custom-Cut Baffle can be raised or lowered to precisely tailor the deck's performance for the type of grass being cut. The baffle can be set in three (3) (early models), or seven (7) (current production) different positions for optimum performance.

3-POSITION CUSTOM-CUT BAFFLE ADJUSTMENT - EARLY MODELS

- A. 3" Position - (See Figure 6-9). Baffle is installed using the top set of holes on the front baffle welded inside the cutter deck. In this position the Velocity-Plus cutter deck will deliver the best quality-of-cut in very tall, wiry, tough to cut grass.

Section 6

B. 3-1/2" Position - (See Figure 6-9). Baffle is installed using the middle set of holes on the front baffle welded inside the cutter deck. Can be used for general purpose cutting. Placing the Custom-Cut Baffle in the 3-1/2" position gives a good mix of cutting performance in all types of grass.

C. 4" Position (factory setting) - (See Figure 6-9). Baffle is installed using the bottom set of holes on the front baffle welded inside the cutter deck. Placing the baffle in the 4" setting will enhance fall cutting (leaf pickup) and reduce cutter deck "blowout".

- NOTE -

Hardware location used in the illustrations are for reference only. Location of hardware may vary depending on cutter deck size.

3. Move the Custom-Cut Baffle to desired position. See Figure 6-10.
4. Reinstall the mounting hardware. Torque hardware to 39 lb-ft.

To adjust the Custom-Cut Baffle height:

1. Place the cutter deck in the transport position.
2. Remove the hardware securing the Custom-Cut Baffle to the cutter deck. See Figure 6-9.

- NOTE -

Hardware location used in the illustrations are for reference only. Location of hardware may vary depending on cutter deck size.

3. Move the Custom-Cut Baffle to desired position. See Figure 6-9.
4. Reinstall the mounting hardware as shown. Torque hardware to 39 lb-ft.

7-POSITION CUSTOM-CUT BAFFLE ADJUSTMENT - CURRENT PRODUCTION

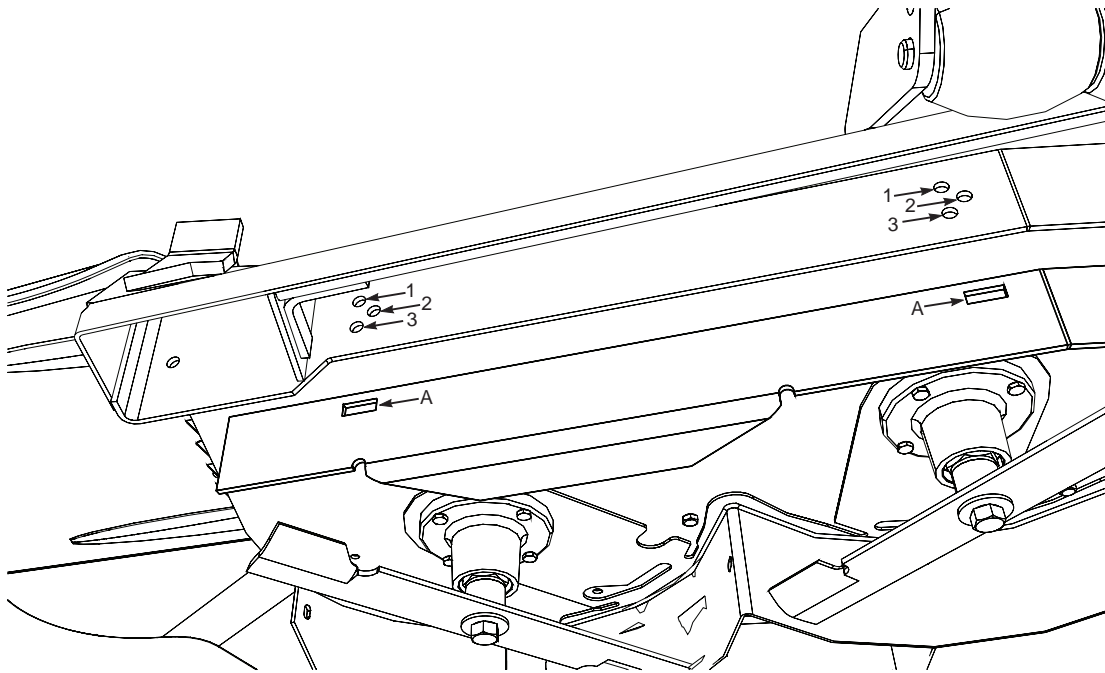
A. 3-1/2" or 3-3/4" Position - (See Figure 6-10). For very tall, wiry or tough-to-cut grass.

B. 4" (factory setting), 4-1/4" or 4-1/2" Position - (See Figure 6-10). For general purpose cutting. This gives the best mix of cutting performance in all types of grass.

C. 4-3/4" or 5-1/4" Position - (See Figure 6-10). Placing the baffle in either the 4-3/4" or 5-1/4" setting will enhance fall cutting (leaf pickup) and reduce cutter deck "blowout".

To adjust the Custom-Cut Baffle height:

1. Place the cutter deck in the transport position.
2. Remove the hardware securing the Custom-Cut Baffle to the cutter deck.



Custom-Cut Baffle Adjustment

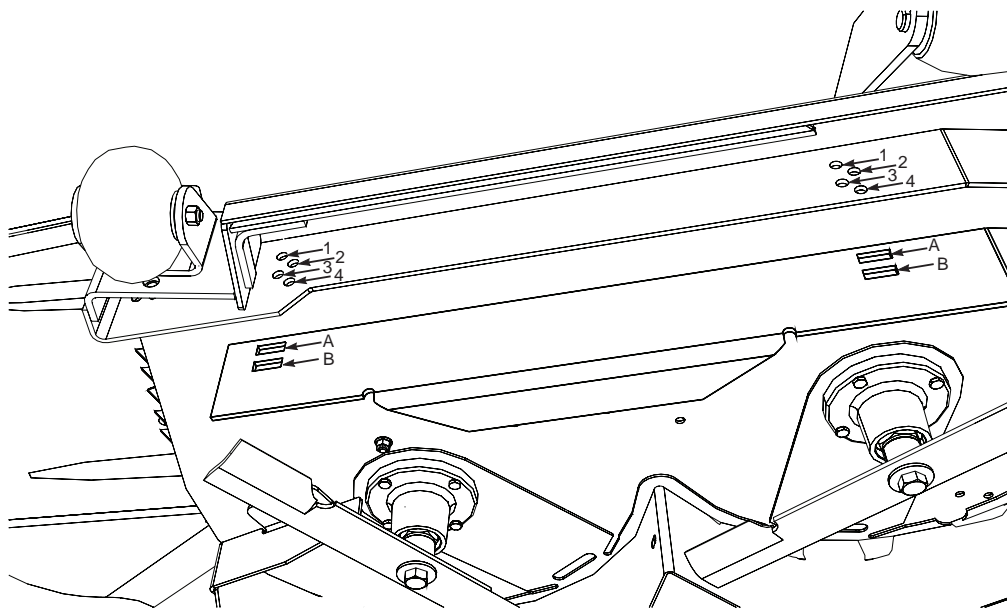
Mounting Slot

Slot "A"
Height (inches)

Mounting Hardware Location

Hole 1	Hole 2	Hole 3
3"	3-1/2"	4"

Figure 6-9. 3-Position Custom-Cut Baffle Adjustment



Custom-Cut Baffle Adjustment

Mounting Slot Selected

Slot "A"
Height (inches)

Mounting Hardware Location

Hole 1	Hole 2	Hole 3	Hole 4
3-3/4"	4-1/4"	4-3/4"	5-1/4"
	Hole 2	Hole 3	Hole 4
	3-1/2"	4"	4-1/2"

Figure 6-10. 7-Position Custom-Cut Baffle Adjustment

MAINTENANCE

7.1 MAINTENANCE CHART - RECOMMENDED SERVICE INTERVALS

BREAK-IN (FIRST 10)	HOURS					PROCEDURE	COMMENTS
	8	40	100	200	500		
X						Check all hardware for tightness	
X						Check hydraulic oil level	See paragraph 7.3
X						Check all belts for proper alignment	See paragraph 7.8
X						Change engine oil and filter	See paragraph 7.4
X						Check coolant level	See paragraph 7.11
X						Check hydraulic hoses for leaks	Use extreme caution when checking the hydraulic hoses. See paragraph 2.6
	X					Check engine oil level	See paragraph 7.4
	X					*Clean mower	See paragraph 7.12
	X					Check condition of blades	See paragraph 7.9
	X					Apply grease to fittings	See paragraph 7.2
	X					Check tire pressure	See paragraph 7.10
	X					Inspect seat belt for wear or damage	See paragraph 2.5
	X					Check the operator interlock system	See paragraph 4.2
	X					Check coolant level	See paragraph 7.11
		X				Check battery electrolyte level clean battery posts and cables	See paragraph 7.7
		X				Check belts for proper alignment	See paragraph 7.8
			X			Apply grease to fittings	See paragraph 7.2
			X			Change engine oil	See paragraph 7.4
			X			*Clean air cleaner element	See paragraph 7.6
			X			Check lubricant in cutter deck gearbox	See paragraph 7.11

* Perform these maintenance procedures more frequently under extreme dusty or dirty conditions

MAINTENANCE CHART - RECOMMENDED SERVICE INTERVALS (CONT'D)

BREAK-IN (FIRST 10)	HOURS					PROCEDURE	COMMENTS
	8	40	100	200	500		
				X		Apply grease to fittings	See paragraph 7.2
				X		Check hardware for tightness	
				X		Change engine oil filter	See paragraph 7.4
				X		Check hydraulic oil level	See paragraph 7.3
					X	Replace engine fuel filter	See paragraph 7.5
					X	Drain hydraulic system and replace hydraulic oil	Use SAE 20W50 Motor Oil. See paragraph 7.3
					X	Replace hydraulic oil filter	See paragraph 7.3
					X	Replace cutter deck gearbox lubricant	See paragraph 7.11
					X	Change coolant	See paragraph 7.11

7.2 LUBRICATION

GREASE FITTING LUBRICATION CHART (SEE FIGURE 7-1)

LOCATION	LUBRICATION INTERVAL	LUBRICANT	NO. OF PLACES
1 Caster Wheel Pivot *	500 Hours/Yearly	Chassis Grease	2
2 Caster Wheel Bearings	100 Hours/Monthly	Chassis Grease	2
3 Brake Actuator	200 Hours/Monthly	Chassis Grease	2
4 Cutter Deck Bellcranks	100 Hours/Bi-Weekly	Chassis Grease	4
5 Cutter Deck Pusharms	100 Hours/Bi-Weekly	Chassis Grease	2
6 PTO Spindle	40 Hours/Weekly	+Lithium MP White Grease 2125	1
7 Cutter Deck Spindle	40 Hours/Weekly	+Lithium MP White Grease 2125	3
8 Brake Handle	200 Hours/Monthly	Chassis Grease	1
9 Cutter Deck Drive Shaft U-Joints	200 Hours/Monthly	Chassis Grease	2
10 Cutter Deck Drive Shaft Slip Sleeve	40 Hours/Weekly	Chassis Grease	1

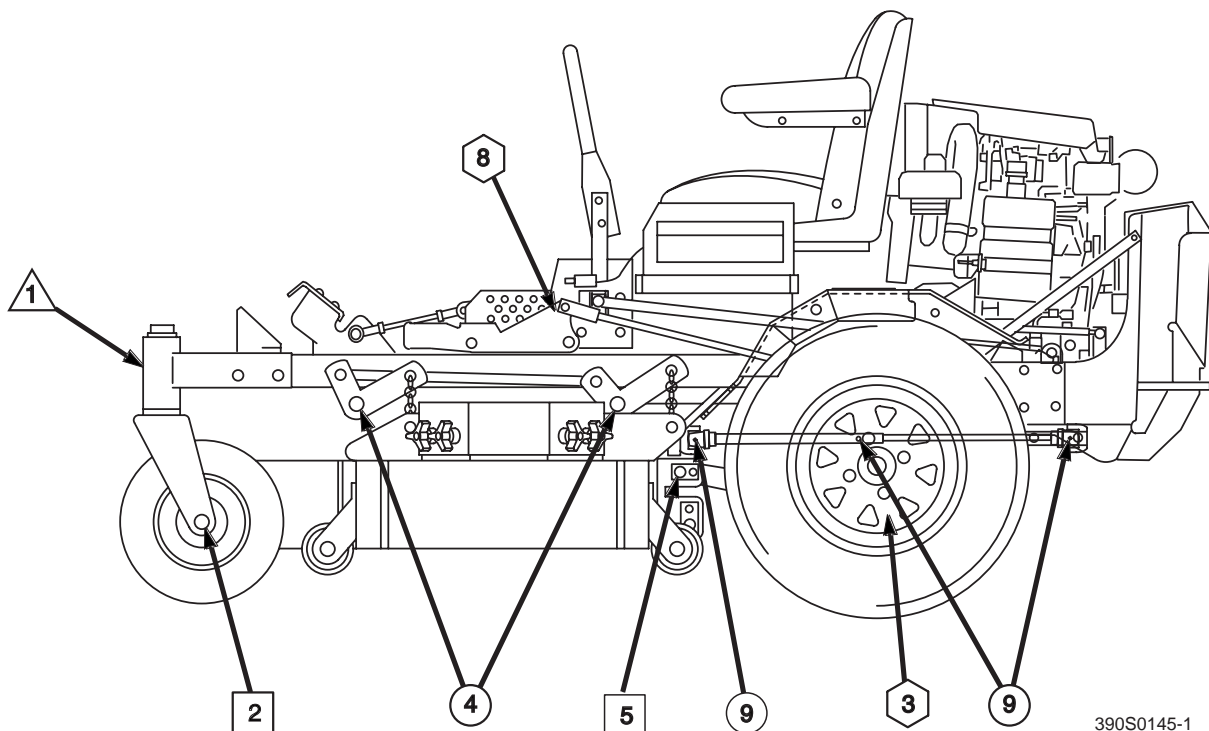
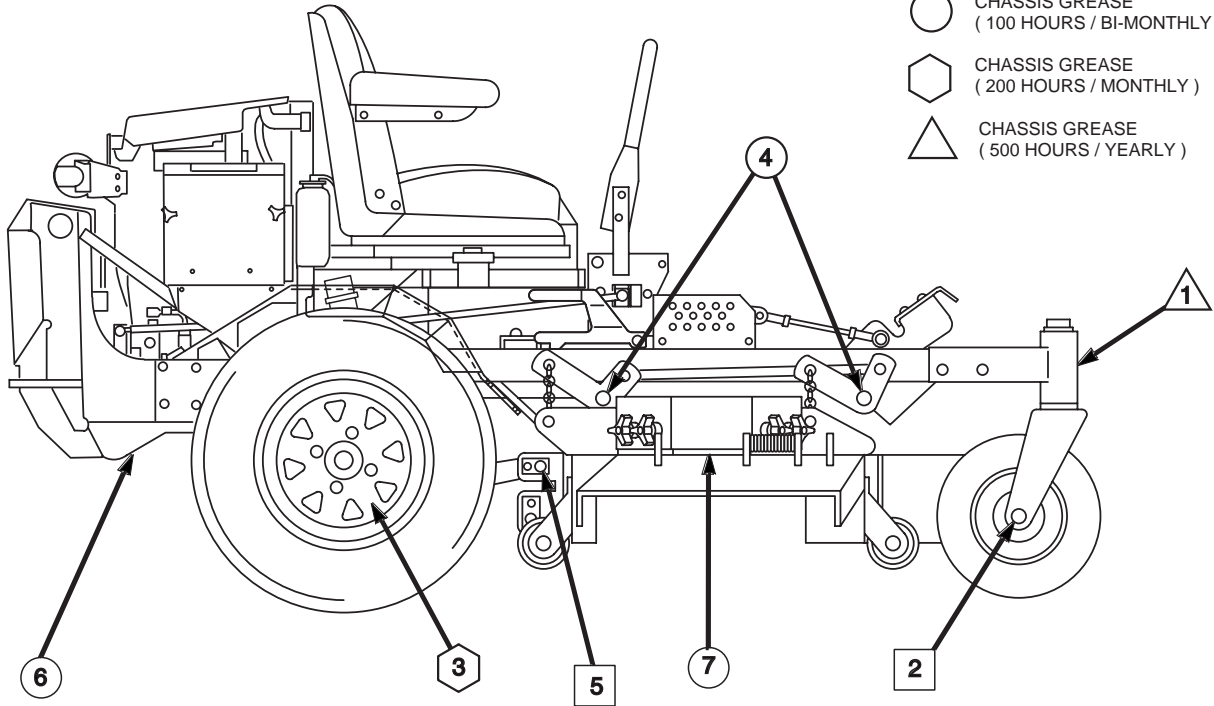
- + Compatible Greases:
- Mobilix #2 found at Mobil Service Stations
 - Ronex MP found at Exxon Service Stations
 - Super Lube MEP #2 & Super Stay-M #2 found at Conoco Stations
 - Shell Alvania #2 found at Shell Service Stations
 - Lidok EP #2 found at industrial shops
 - Timken Lithium Multi-Use #2 found at industrial shops

* PROCEDURE: Remove grease cap, part number 481559. Remove plug, part number 482028-01, and install grease zerk. Apply grease to the fitting until new grease appears at the top of the caster extension. Remove the grease zerk and reinstall the plug. Reinstall the grease cap. Special tool, part number 47007, is recommended for use in the installation of the grease cap.

GREASE FITTING LUBRICATION

LUBRICANT / INTERVAL

- LITHIUM MP WHITE GREASE 2125
(40 HOURS / WEEKLY)
- CHASSIS GREASE
(100 HOURS / BI-MONTHLY)
- ⬡ CHASSIS GREASE
(200 HOURS / MONTHLY)
- △ CHASSIS GREASE
(500 HOURS / YEARLY)



390S0145-1

Figure 7-1. Lubrication Fitting Points

7.3 HYDRAULIC SYSTEM

A. CHECKING HYDRAULIC OIL LEVEL

The hydraulic oil level should be checked after the first 10 hours of operation. Thereafter, check the oil after every 200 hours of machine operation or monthly, whichever occurs first.

- IMPORTANT -

If the oil level is consistently low, check for leaks and correct immediately.

1. Wipe dirt and contaminants from around the reservoir cap. Remove the cap from the hydraulic oil reservoir.
2. Visually check the level of hydraulic oil. Hydraulic oil must be at least 3" inches from top of the filler neck. If the level cannot be determined visually, use a clean tape measure to check the level. If the fluid is low, add 20W50 motor oil. **DO NOT** overfill; (overfilling the oil reservoir may cause oil seepage around the cap area).
3. Clean the fill cap and install it onto the reservoir.

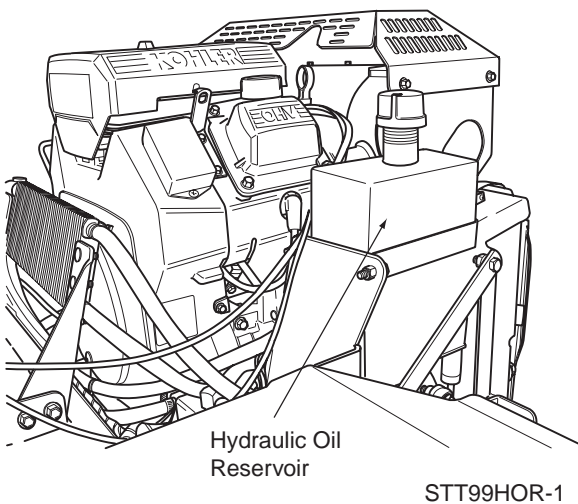


Figure 7-2. Hydraulic Oil Reservoir

B. CHANGING HYDRAULIC OIL

The hydraulic oil should be changed after every 500 hours or annually, whichever occurs first. The oil should also be changed if the color of the fluid has become black or milky. A black color and/or a rancid odor usually indicates possible overheating of the oil, and a milky color usually indicates water in the hydraulic oil.

- IMPORTANT -

The hydraulic oil should be changed if you notice the presence of water or a rancid odor to the hydraulic oil.

1. Park the mower on a level surface and stop the engine.
2. Place a suitable container under the hydraulic oil filter. Remove the fill cap from the reservoir and the drain plug from the bottom of the drain tee fitting on the filter base. See Figure 7-3. Allow the fluid to drain into the container and properly discard it.

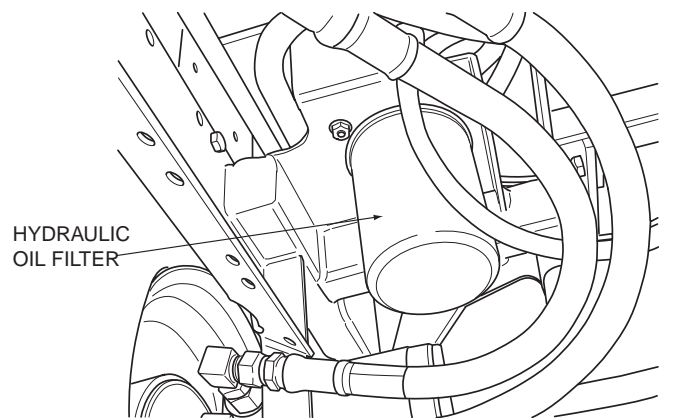


Figure 7-3. Hydraulic Oil Filter

3. Re-install the drain plug into the tee fitting and be sure it is tight.

- NOTE -

Before refilling the hydraulic oil reservoir the hydraulic oil filter should be changed as outlined in Procedure C "Changing Hydraulic Oil Filter Element" on page 34.

4. Fill the reservoir to 3-1/4" inches from the top of the filler neck with 20W50 motor oil.
5. Replace the reservoir fill cap. Start the engine and drive forward and backward for two minutes. Check the oil level in the reservoir. If necessary, add oil to the reservoir.

Section 7

C. CHANGING HYDRAULIC OIL FILTER ELEMENT

The hydraulic oil filter should be changed after every 500 hours of operation or annually, whichever occurs first.

1. Remove the oil filter element and properly discard it. See Figure 7-3. Fill the new filter with clean oil and install the filter. Hand tighten only.
2. Run the engine at idle speed with the speed control lever in neutral for five minutes.
3. Check the oil level in the hydraulic tank. It must be 3-1/4" inches from the top of the filler neck. If necessary, add SAE 20W50 motor oil.

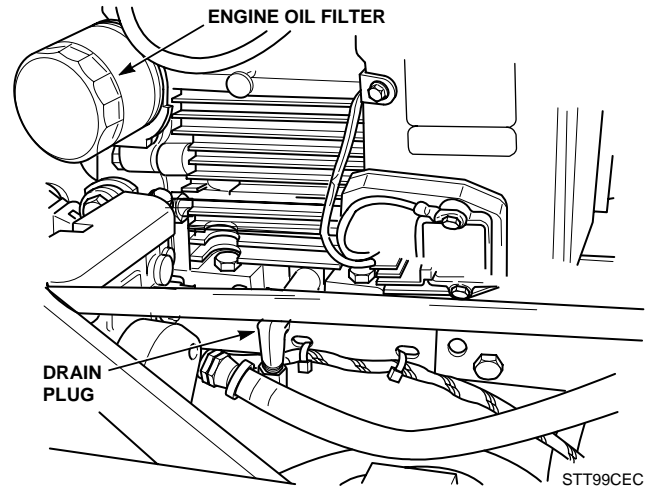


Figure 7-5. Drain Plug and Oil Filter Location

7.4 ENGINE OIL

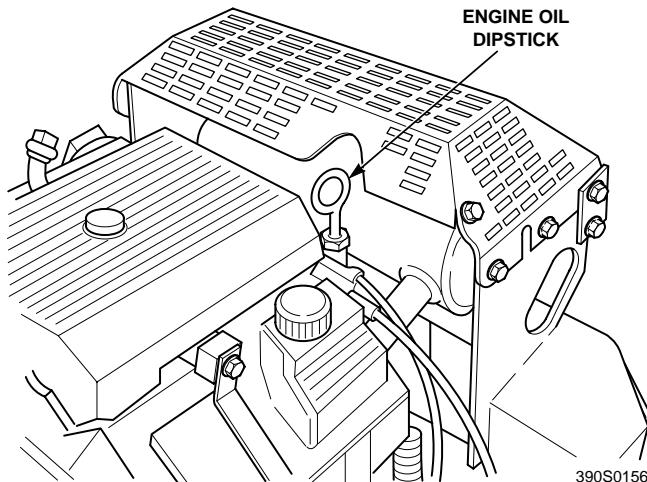


Figure 7-4. Engine Oil Fill/Dipstick Location

A. CHECKING ENGINE CRANKCASE OIL LEVEL

The engine oil level should be checked after every 8 hours of operation or daily as instructed in the Engine Operator's Manual furnished with this mower.

B. CHANGING ENGINE CRANKCASE OIL

After the first 20 hours of operation, change the engine crankcase oil and replace the oil filter. Thereafter, change the engine crankcase oil after every 100 hours of operation or bi-weekly, whichever occurs first. Refer to the Engine Operator's Manual furnished with this mower for instructions. See Figure 7-5.

C. CHANGING ENGINE OIL FILTER

After the first 20 hours of operation, replace the engine oil filter. Thereafter, replace the oil filter after every 200 hours of operation or every month, whichever occurs first. Refer to Engine Operator's Manual for instructions. See Figure 7-5.

7.5 ENGINE FUEL SYSTEM

! DANGER

To avoid injury from burns, allow the mower to cool before removing the fuel tank cap and refueling.

A. FILLING THE FUEL TANK

Fill the fuel tank at the beginning of each operating day to within one (1) inch below the filler neck. Do not overfill. Use clean, fresh unleaded gasoline with a minimum octane rating of 87 and a maximum of 10% Ethanol.

DO NOT use E85 Fuel. Using E85 Fuel will cause severe damage to the engine.

To avoid personal injury or property damage, use extreme care in handling gasoline. Gasoline is extremely flammable and the vapors are explosive.

1. Extinguish all cigarettes, cigars, pipes and other sources of ignition.
2. Use only an approved gasoline container.
3. Never remove the gas cap or add fuel with the engine running. Allow the engine to completely cool before fueling.
4. Never fuel the machine indoors or in an enclosed trailer.
5. Never store the machine or fuel container where there is an open flame, spark or pilot light such as on a water heater or other appliances.
6. Never fill containers inside a vehicle or on a truck or trailer bed with a plastic liner. Always place containers on the ground away from your vehicle before filling.
7. Remove the machine from the truck or trailer and fuel on the ground. If this is not possible, then refuel the machine with a portable container, rather than from a gasoline dispenser nozzle.
8. Keep the nozzle in contact with the rim of fuel tank or container opening at all times until fueling is complete. Do not use a nozzle lock-open device.
9. If fuel is spilled on clothing, change clothing immediately and wash affected skin.
10. Replace gas cap and tighten securely.

B. REPLACING IN-LINE FUEL FILTER ELEMENTS

The engine fuel filter should be replaced after every 500 hours of operation or annually, whichever occurs first. See Figure 7-6.

1. Close the shut-off valve.
2. Remove the two clamps securing the fuel filter to the fuel hose. Remove the fuel filter.
3. Install a new fuel filter. Be sure it is installed in the proper direction. Secure to the fuel hose using the two clamps.
4. Open the fuel shut-off valve.

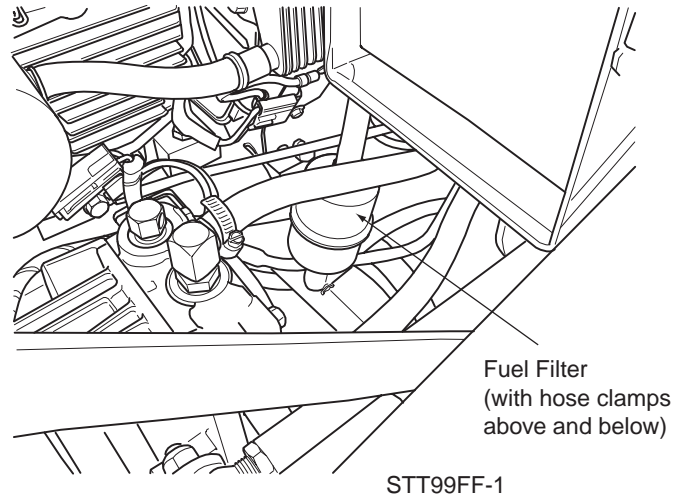


Figure 7-6. Fuel Filter

7.6 ENGINE AIR CLEANER

A. CLEANING AND/OR REPLACING AIR CLEANER ELEMENT

For any air cleaner, the operating environment dictates the air cleaner service periods. Inspect and clean the air cleaner element after every 100 hours of operation or bi-weekly, whichever occurs first and replace the element if required. See Engine Owner's Manual for service information.

- NOTE -

In extremely dusty conditions it may be necessary to check the element once or twice daily to prevent engine damage.

1. Unhook the clamps securing the air cleaner cover to the air filter canister. Remove the air cleaner cover and set aside.
2. Remove the air cleaner and inspect.
3. Clean or replace the air cleaner and foam pre-cleaner as recommended by the engine manufacturer.
4. Replace the air cleaner cover and be sure to snap the latches closed.

Section 7

7.7 BATTERY

WARNING

Lead-acid batteries produce flammable and explosive gases. To avoid personal injury when checking, testing or charging batteries, **DO NOT** use smoking materials near batteries. Keep arcs, sparks and flames away from batteries. Provide proper ventilation and wear safety glasses.

WARNING

Battery posts, terminals, and related accessories contain lead and lead compounds, chemicals known to cause cancer and reproductive harm. Wash hands after handling.

WARNING

Electric storage battery fluid contains sulfuric acid which is **POISON** and can cause **SEVERE CHEMICAL BURNS**. Avoid contact of fluid with eyes, skin, or clothing. Use proper protective gear when handling batteries. **DO NOT** tip any battery beyond 45° angle in any direction. If fluid contact does occur, follow first aid suggestions below.

BATTERY ELECTROLYTE FIRST AID

External Contact — Flush with water.

Eyes — Flush with water for at least 15 minutes and get medical attention immediately.

Internal — Drink large quantities of water. Follow with Milk Of Magnesia, beaten egg, or vegetable oil. Get medical attention immediately. In case of internal contact, **DO NOT** give fluids that would induce vomiting.

A. CHARGING THE BATTERY

Refer to the battery charger's manual for specific instructions.

Under normal conditions the engine's alternator will have no problem keeping a charge on the battery. If the battery has been completely discharged for a long period of time, the alternator may not be able to recharge the battery, and a battery charger will be required.

DO NOT charge a frozen battery. It may explode and cause injury. Let the battery warm before attaching a charger.

Whenever possible, remove the battery from the mower before charging and make sure the electrolyte covers the plates in all cells.

WARNING

BATTERIES PRODUCE EXPLOSIVE GASES. Charge the battery in a well ventilated space so gases produced while charging can dissipate.

Charging rates between 3 and 50 amperes are satisfactory if excessive gassing or spewing of electrolyte does not occur or the battery does not feel excessively hot (over 125°F). If spewing or gassing occurs or the temperature exceeds 125°F, the charging rate must be reduced or temporarily stopped to permit cooling.

B. JUMP STARTING

1. The booster battery must be a 12 volt type. If a vehicle is used for jump starting, it must have a negative ground system.
2. When connecting the jumper cables, connect the positive cable to the positive battery post, then connect the negative cable to the negative battery post.

7.8 DRIVE BELTS

All drive belts are spring-loaded and self-tensioning, however after the first 2, 4, 8 and 10 hours of operation, the belts should be checked for proper alignment and wear. Thereafter, check the belts after every 40 hours of operation or weekly, whichever occurs first.

- NOTE -

If you experience frequent belt wear or breakage, see your authorized Scag service center for belt adjustment.

7.9 CUTTER BLADES

A. BLADE INSPECTION

1. Remove the ignition key before servicing the blades.
2. Raise the mower deck to the highest position. Place the lanyard pin in the highest cutting height position to prevent the cutter deck from falling.

 <h2 style="margin: 0;">WARNING</h2>
<p>Always wear proper hand and eye protection when working with cutter blades.</p>

3. Check the cutter blades for straightness. If the cutter blades appear bent, they will need to be replaced.

 <h2 style="margin: 0;">WARNING</h2>
<p>Do not attempt to straighten a bent blade, and never weld a broken or cracked blade. Always replace it with a new blade to assure safety.</p>

4. If a blade cutting edge is dull or nicked, it should be sharpened. Remove the blades for sharpening. See "Blade Replacement."

- NOTE -

Keep the blades sharp. Cutting with dull blades not only yields a poor mowing job, but slows the cutting speed of the mower and causes extra wear on the engine and the blade drive by pulling hard.

B. BLADE SHARPENING

- NOTE -

If possible, use a file to sharpen the blade. Using a wheel grinder may burn the blade.

- NOTE -

DO NOT sharpen the blades beyond 1/3 of the width of the blade. See Figure 7-7.

1. Sharpen the cutting edge at the same bevel as the original. See Figure 7-7. Sharpen only the top of the cutting edge to maintain sharpness.

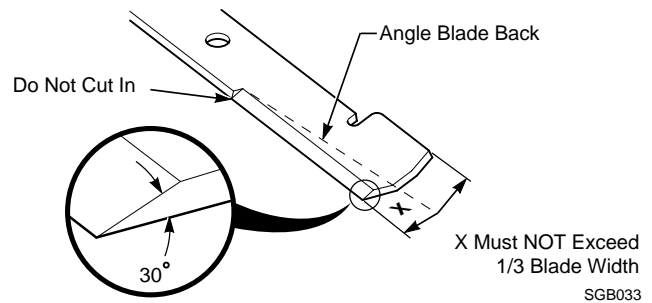


Figure 7-7. Blade Sharpening

2. Check the balance of the blade. If the blades are out of balance, vibration and premature wear can occur. See your authorized Scag dealer for blade balancing or special tools, if you choose to balance your own blades.

C. BLADE REPLACEMENT

 <h2 style="margin: 0;">WARNING</h2>
<p>Always wear proper hand and eye protection when working with cutter blades.</p>

1. Remove the ignition key before replacing the blades.
2. Raise the mower deck to the highest position. Place the lanyard pin in the highest cutting height position to prevent the cutter deck from falling.
3. Secure the cutter blades to prevent them from rotating, (use the optional Blade Buddy tool P/N 9212, to assist in securing the cutter blades), remove the nut from the blade attaching bolt. Remove the cutter blade, bolt and spacer from the spindle shaft. See Figure 7-8.

- NOTE -

The front of the machine will have to be raised slightly to remove the blade bolt from the cutter spindle.

- To install the new cutter blade, put the flat washer onto the blade bolt and slide the bolt into the hole in the cutter blade.

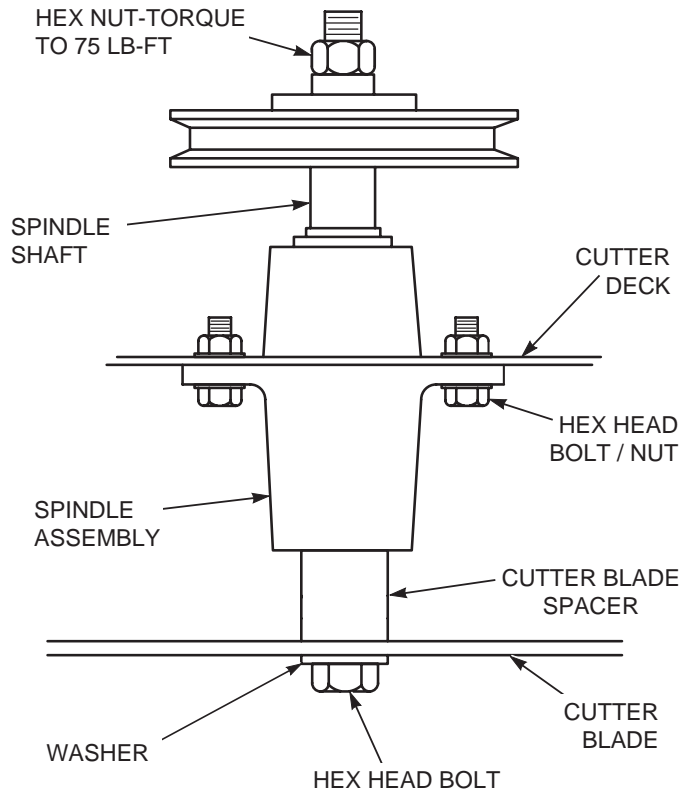


Figure 7-8. Blade Replacement

- NOTE -

Be sure that the blade is installed with the lift wing toward the top.

- Install the spacer onto the blade bolt and insert the bolt into the cutter spindle shaft.
- Install the hex nut to the blade bolt at the top of the cutter spindle. Secure the blades from rotating and torque to 75 lb-ft. See Figure 7-8.

7.10 TIRES

Check the tire pressures after every 8 hours of operation or daily.

Caster Wheels	Flat Free
Drive Wheels	12 PSI

7.11 CUTTER DECK GEARBOX

A. CHECKING LUBRICANT LEVEL

⚠ CAUTION

The cutter deck gearbox can reach high operating temperatures. Allow the cutter deck gearbox to cool before servicing.

The fluid level in the cutter deck gearbox should be checked after every 100 hours of operation or bi-weekly, whichever occurs first.

- Lower the cutter deck to its lowest position to gain access to the cutter deck gearbox.
- Clean and remove the check plug from the side of the gearbox. See Figure 7-9.

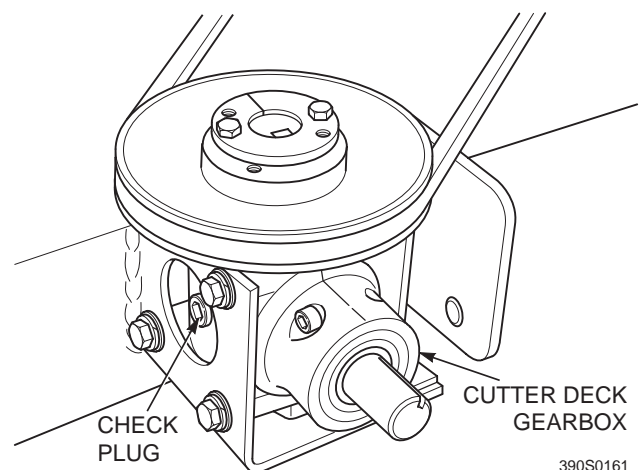


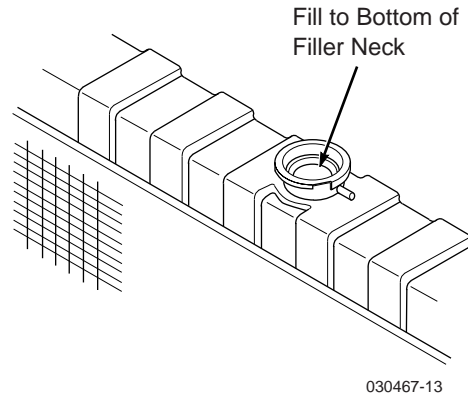
Figure 7-9. Cutter Deck Gearbox

- Visually check that the lubricant level is up to the bottom edge of the check plug hole. If lubricant is low, add SAE 80W90 lubricant through the check plug hole in the gearbox until it is level with the bottom of the check plug hole. Install the check plug and tighten securely.

B. CHANGING LUBRICANT

The lubricant in the cutter deck gearbox should be changed after every 500 hours of operation or yearly, whichever occurs first.

1. Place a suitable container beneath the cutter deck gearbox and locate the gearbox drain plug.
2. Remove the drain plug, drain the lubricant into the container and properly discard it.
3. Re-install the drain plug and add SAE 80W90 lubricant through the check plug hole in the gearbox until it is level with the bottom of the check plug hole. Install the check plug and tighten securely.



030467-13

Figure 7-10. Coolant Level

7.12 COOLING SYSTEM

(LIQUID-COOLED MACHINES ONLY)

WARNING

To avoid burns, always allow the engine to cool before removing the radiator cap.

A. CHECKING COOLANT LEVEL

The coolant level should be checked before each day of operation.

1. Remove the radiator cap by turning it slowly counterclockwise to the first stop and allow any pressure to be released. Push down on the cap and turn counterclockwise to remove.
2. Visually check the coolant level. The coolant level should be up to the bottom of the filler neck as shown in Figure 7-10. Add a mixture of coolant and soft water as needed.

- NOTE -

Refer to the coolant manufacturer's instructions for the proper coolant mixture ratio.

3. Replace the radiator cap. Push down on the cap and turn clockwise until it stops.

- NOTE -

The cooling system should be flushed and the coolant replaced every 500 hours of operation or annually. See your Scag dealer for proper coolant replacement.

B. CLEANING THE RADIATOR DEBRIS SCREEN

After each day of operation, remove and clean the radiator debris screen.

CAUTION

To avoid personal injury, always wear safety glasses when using compressed air.

1. Pull the debris screen up to remove.
2. Clean the debris screen with compressed air or a water hose.

- NOTE -

Check the radiator for excessive debris and clean with compressed air. Never spray a hot engine with water, use only compressed air to remove debris.

3. Re-install the debris screen to the radiator.

Section 7

C. CHECKING THE FAN BELT TENSION (LIQUID-COOLED ENGINES ONLY)

Periodically check the fan belt tension. The belt should deflect 1/2" with 10 pounds of pressure. See your Scag dealer if the belt is in need of adjustment or replacement.

7.13 BODY, DECK, AND UPHOLSTERY

 CAUTION
Do not wash any portion of the equipment while it is hot. Do not wash the engine; use compressed air.

1. After each use, wash the mower and cutter deck. Use cold water and automotive cleaners. Do not use pressure cleaners.
2. Do not spray electrical components.
3. Use a mild soap solution or a vinyl/rubber cleaner to clean the seat.
4. Repair damaged metal surfaces using Scag touch-up paint available from your authorized Scag dealer. Wax the mower for maximum paint protection.

ILLUSTRATED PARTS LIST

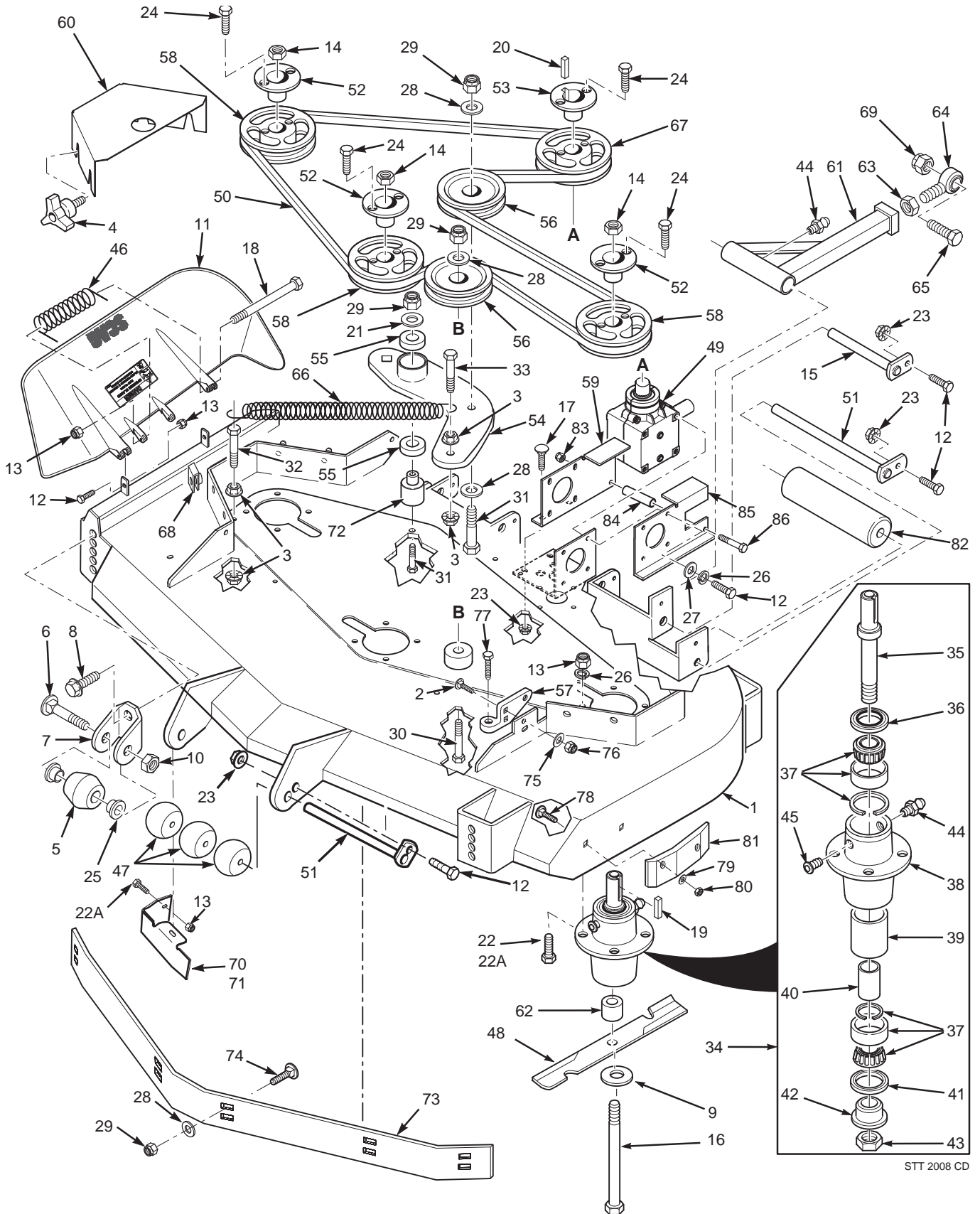
1. SCAG APPROVED ATTACHMENTS AND ACCESSORIES

Attachments and accessories manufactured by companies other than Scag Power Equipment are not approved for use on this machine.

Scag approved attachments and accessories:

- GC-STT (p/n 9059, 9060, 9039)
- GC-STT-CS (p/n 9063, 9064, 9041)
- Mulch Plate (p/n 9287, 9288, 9262)
- Hurricane Mulch (p/n 9284, 9285, 9267)
- STT Hitch (p/n 9242)
- STT Bumper (p/n 9256)
- Suspension Seat w/Seat Belt (p/n 9292)
- STT Lights (p/n 9279)
- Tiger Striper (p/n 9269)
- Blade Buddy (p/n 9212)

52V CUTTER DECK



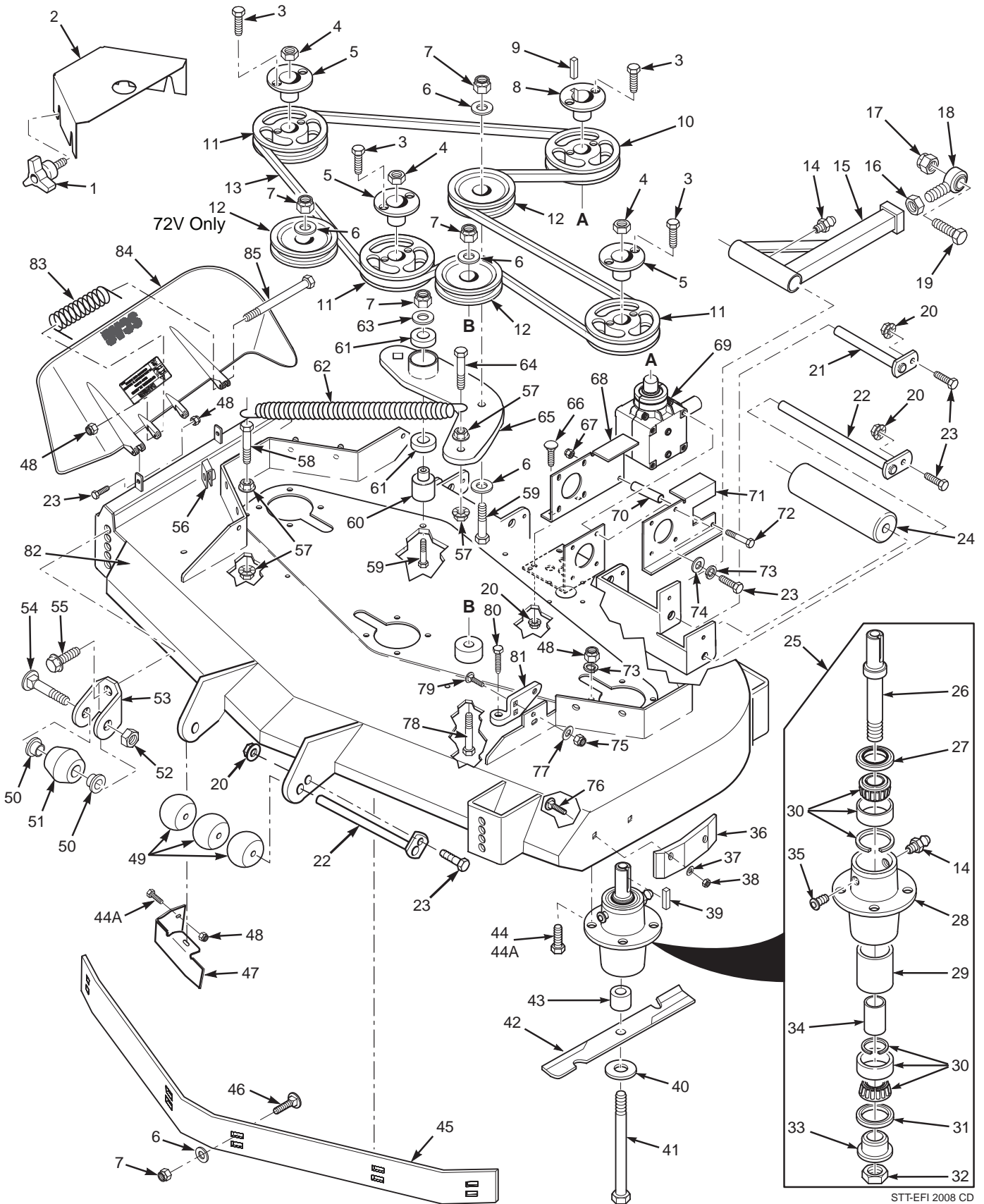
STT 2008 CD

52V CUTTER DECK

Ref. No.	Part No.	Description
1	461859	Cutter Deck Velocity Plus
2	04003-40	Bolt, Carriage 7/16-14 x 1-1/4"
3	04019-04	Nut, Hex Serr. Flng 3/8-16
4	481625-01	Wing nut, 3/8-16
5	481632	Anti-Scalp Wheel
6	04003-26	Bolt, Carriage 3/8-16 x 4"
7	422478	Anti-Scalp Wheel Bracket
8	04017-27	Bolt, Hex Serr. Flng 3/8-16 x 1"
9	04043-06	Flatwasher, 5/8" Hardened
10	04021-05	Locknut, 3/8-16 Center Lock
11	461845	Discharge Chute
12	04001-11	Bolt, Hex Head 5/16-18 x 1-3/4" - Front
	04001-12	Bolt, Hex Head 5/16-18 x 1-1/2" - Rear
13	04021-22	Nut, Hex Elastic Stop 5/16-18 Grd 8
14	04020-09	Nut, 5/8-11 UNC
15	451240	Push Arm Shaft
16	04001-41	Bolt, HH 5/8-11 x 9-1/2"
17	04003-12	Bolt, Carriage 5/16-18 x 3/4"
18	04001-108	Bolt, HH 5/16-18 x 4-1/2"
19	04063-08	Key, 1/4 x 1/4 x 2"
20	04063-01	Key, 1/4 x 1/4 x 1-1/4"
21	04043-04	Flatwasher, 3/8" (.39 x .938 x .105") HD
22	04001-176	Bolt, HH 5/16-18 x 1-3/4"
23	04019-03	Nut, Hex Serr. Flng 5/16-18
24	04001-172	Bolt, HH 1/4-20 x 1" Grd 8
25	48100-15	Bushing, .376" I.D. Oilite
26	04030-03	Lockwasher, 5/16"
27	04040-15	Flatwasher, 5/16" (.375 x .875 x .083")
28	04041-07	Flatwasher, 3/8" (.391 x .938 x .105")
29	04021-09	Nut, Hex Elastic Stop 3/8-16
30	04001-62	Bolt, HH 3/8-16 x 3-1/4"
31	04001-54	Bolt, HH 3/8-16 x 3"
32	04001-20	Bolt, HH 3/8-16 x 1-1/2"
33	04001-136	Bolt, HH 3/8-16 x 1-1/2" Grd 8
34	461663	Spindle Assembly
35	43589	Spindle Shaft
36	481024	Seal, Top
37	481022	Bearing Assembly
38	43644	Spindle Housing
39	43312	Spacer, Outside
40	43296	Spacer, Inside
41	481025	Seal, Bottom
42	43297	Spindle Bushing, Bottom
43	481035	Nut, Special 1-1/16-18
44	48114-04	Grease Fitting
45	48677	Relief Fitting, Tapered Spindle

Ref. No.	Part No.	Description
46	483378	Spring, Discharge Chute
47	482295	Wheel, Anti-Scalp
48	482878	Cutter Blade, 18"
49	482486	Gearbox Assm, Deck Drive
50	482281	Belt, Cutter Deck Drive
51	45944	Roller Shaft
52	48926	Tapered Hub, 1-1/8" Bore
53	48141	Tapered Hub, 1" Bore
54	461842	Idler Arm, Cutter Deck
55	48224	Bearings, Ball
56	483215	Pulley, Idler
57	461929	Lever Assembly, Deck Level (Incl. 77)
58	482744	Pulley, 5.75" O.D. (52")
59	424798	Mounting Plate, RH Gearbox
60	422412	Belt, Cover
61	461516	Pusharm (includes items 44, 63 & 64)
62	43590	Spacer, Spindle Bottom
63	04020-16	Nut, Hex Head 5/8-18 UNF
64	48763	Rod End, 5/8" Male RH Thrd
65	04001-79	Bolt, Hex Head 5/8-11 x 4-1/2"
66	483704	Spring, Cutter Deck
67	482747	Pulley, 6.95" O.D.
68	04110-03	U-Nut, 3/8-16
69	04021-13	Nut, Hex Elastic Stop 5/8-11
70	424208	Discharge Baffle 52V
72	43681	Pivot, Idler - Short
73	424840	Baffle, Custom Cut 52V
74	04003-23	Bolt, Carriage 3/8-16 x 1"
75	04040-11	Flatwasher, 7/16" (.500 x 1.25 x .083")
76	04021-11	Nut, Elastic Stop 7/16-14
77	483167	Bolt, Deck Adjust
78	04003-12	Bolt, Carriage 5/16-18 x 3/4"
79	04040-04	Flatwasher, 5/16"
80	04021-04	Nut, Center Lock 5/16-18
81	483176	Wear Pad
82	48038	Wheel, Anti-Scalp
83	04021-10	Nut, Elastic Stop 5/16-18
84	43763	Spacer, Gearbox Mount
85	424799	Mounting Plate, LH Gearbox
86	04001-154	Bolt, HH 5/16-18 x 4-3/4"

61V & 72VS CUTTER DECKS



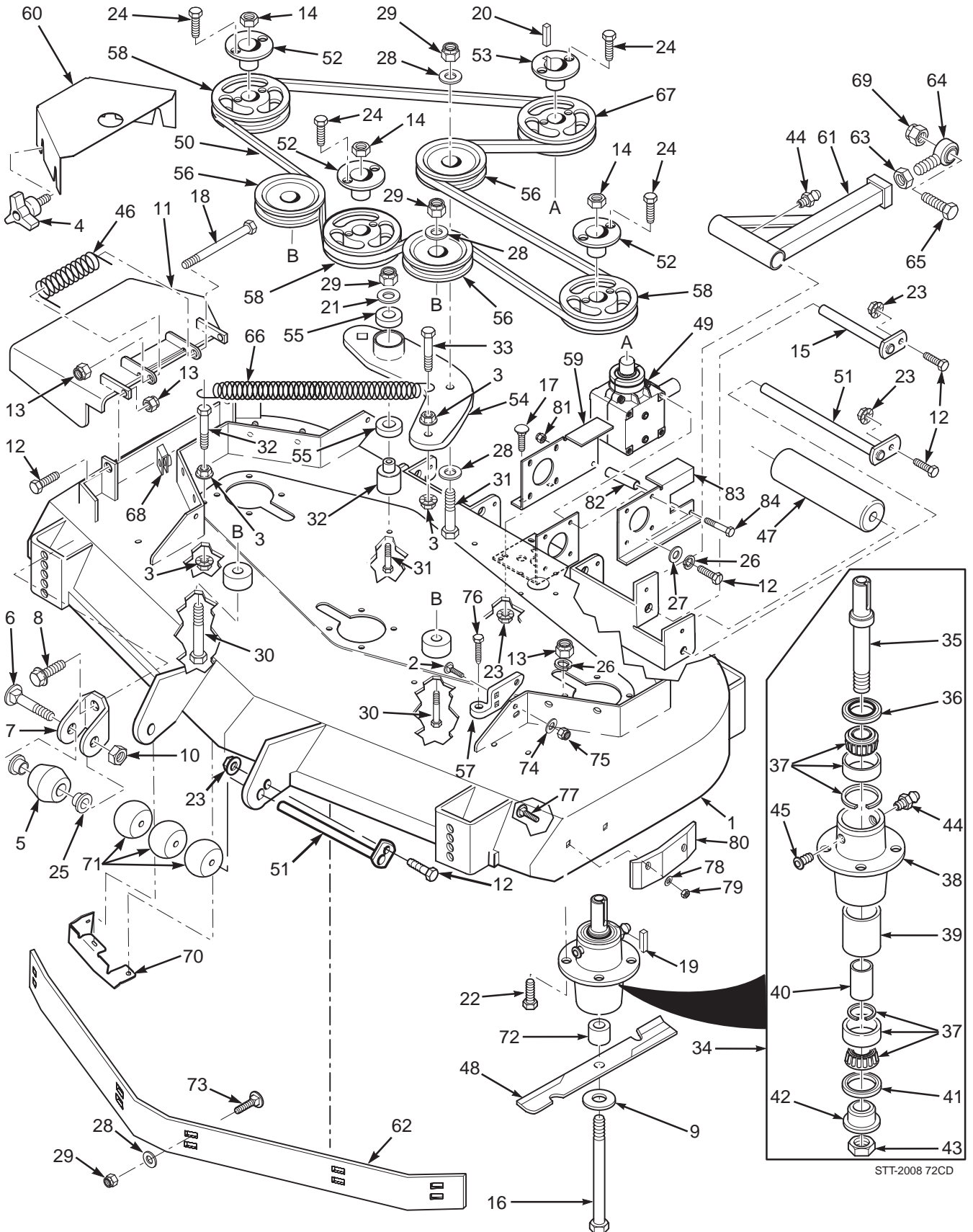
STT-EFI 2008 CD

61V & 72VS CUTTER DECKS

Ref. No.	Part No.	Description	61	72
1	481625-01	Wing Nut, 3/8-16	X	X
2	424325	Belt Cover	X	
	422708	Belt Cover RH		X
	422677	Belt Cover LH		X
3	04001-172	Bolt, Hex Head 1/4-20 x 1" Grd 8	X	X
4	04020-09	Nut, 5/8-11 UNC	X	X
5	48926	Tapered Hub, 1-1/8" Bore	X	X
6	04041-07	Flatwasher, 3/8" (.391 x .938 x .105)	X	X
7	04021-09	Nut, Hex Elastic Stop 3/8-16	X	X
8	48141	Tapered Hub, 1" Bore	X	X
9	04063-0	Key, 1/4 x 1/4 x 1-1/4"	X	X
10	482746	Pulley, 6.75 O.D.	X	
	482745	Pulley, 6.35 O.D.		X
11	482745	Pulley, 6.35 O.D.	X	
	482747	Pulley, 6.95 O.D.		X
12	483215	Pulley, Idler	X	X
13	481558	Belt, Cutter Deck Drive	X	
	481980	Belt, Cutter Deck Drive		X
14	48114-04	Grease Fitting	X	X
15	461516	Pusharm (incl. items 14, 16, & 18)	X	X
16	04020-16	Nut, Hex Head 5/8-18 UNF	X	X
17	04021-13	Nut, Hex Elastic Stop 5/8-11	X	X
18	48763	Rod End, 5/8" Male RH Thread	X	X
19	04001-79	Bolt, Hex Head 5/8-11 x 4-1/2"	X	X
20	04019-03	Nut, Hex Serrated Flange 5/16-18	X	X
21	451240	Push Arm Shaft	X	X
22	45944	Roller Shaft	X	X
23	04001-12	Bolt, Hex Head 5/16-18 x 1-3/4"	X	X
24	48038	Wheel, Anti-Scalp	X	X
25	461663	Spindle Assembly	X	X
26	43589	Spindle Shaft	X	X
27	481024	Seal, Top	X	X
28	43644	Spindle Housing	X	X
29	43312	Spacer, Outside	X	X
30	481022	Bearing Assembly	X	X
31	481025	Seal, Bottom	X	X
32	481035	Nut, Special 1-1/16-18	X	X
33	43297	Spindle Bushing, Bottom	X	X
34	43296	Spacer, Inside	X	X
35	48677	Relief Fitting, Tapered Spindle	X	X
36	483176	Wear Pad	X	
	483174	Wear Pad		X
37	04040-04	Flatwasher, 5/16"	X	X
38	04021-04	Nut, Center Lock 5/16-18	X	X
39	04063-08	Key, 1/4 x 1/4 x 2"	X	X
40	04043-06	Flatwasher, 5/8" Hardened	X	X
41	04001-41	Bolt, Hex Head 5/8-11 x 9-1/2"	X	X
42	482879	Cutter Blade, 21"	X	
	482882	Cutter Blade, 24.5"		X
43	43590	Spacer, Spindle Bottom	X	X
44	04001-176	Bolt, Hex Head 5/16-18 x 1-3/4"	X	X

Ref. No.	Part No.	Description	61	72
45	424841	Baffle, Custom Cut 61V	X	
	424917	Baffle, Custom Cut 72V		X
46	04003-23	Bolt, Carriage 3/8-16 x 1"	X	X
47	424209	Discharge Baffle 61V	X	X
	424856	Discharge Baffle 72V	X	X
48	04021-22	Nut, Hex Elastic Stop 5/16-18 Grd 8	X	X
49	482295	Wheel, Anti-Scalp	X	X
50	48100-15	Bushing, .376 I.D. Oilite	X	X
51	481632	Anti-Scalp Wheel	X	X
52	04021-05	Locknut, 3/8-16 Center Lock	X	X
53	422478	Anti-Scalp Wheel Bracket	X	X
54	04003-26	Bolt, Carriage 3/8-16 x 4"	X	X
55	04017-27	Bolt, Hex Serrated Flange 3/8-16 x 1"	X	X
56	04110-03	U-Nut, 3/8-16	X	X
57	04019-04	Nut, Hex Serrated Flange 3/8-16	X	X
58	04001-20	Bolt, Hex Head 3/8-16 x 1-1/2"	X	X
59	04001-54	Bolt, Hex Head 3/8-16 x 3"	X	X
60	43503	Pivot, Idler - Short	X	X
61	48224	Bearings, Ball	X	X
62	483704	Spring, Cutter Deck	X	X
63	04043-04	Flatwasher, 3/8-.39 x .938 x .105 HD	X	X
64	04001-136	Bolt, Hex Head 3/8-16 x 1-1/2" Grd 8	X	X
65	461842	Idler Arm, Cutter Deck	X	X
66	04003-12	Bolt, Carriage 5/16-18 x 3/4"	X	X
67	04021-10	Nut, Elastic Stop 5/16-18	X	X
68	424798	Mounting Plate, RH Gearbox	X	X
69	482486	Gearbox Assembly, Deck Drive	X	X
70	43763	Spacer, Gearbox Mount	X	X
71	424799	Mounting Plate, LH Gearbox	X	X
72	04001-154	Bolt, Hex Head 5/16-18 x 4-3/4"	X	X
73	04030-03	Lockwasher, 5/16"	X	X
74	04040-15	Flatwasher, 5/16" (.375 x .875 x .083)	X	X
75	04021-11	Nut, Elastic Stop 7/16-14	X	X
76	04003-12	Bolt, Carriage 5/16-18 x 3/4"	X	X
77	04040-11	Flatwasher, 7/16-.500 x 1.25 x .083	X	X
78	04001-62	Bolt, Hex Head 3/8-16 x 3-1/4"	X	X
79	04003-40	Bolt, Carriage 7/16-14 x 1-1/4"	X	X
80	483167	Bolt, Deck Adjust	X	X
81	461929	Lever Assy, Deck Level (Incl. 80)	X	X
82	461863	Cutter Deck 61 V w/Decals	X	
	462144	Cutter Deck 72 V w/Decals		X
83	483378	Spring, Discharge Chute	X	X
84	461846	Discharge Chute 61V	X	
	462132	Discharge Chute 72V		X
85	04001-108	Bolt, Hex Head 5/16-18 x 4-1/2"	X	X

72A CUTTER DECK

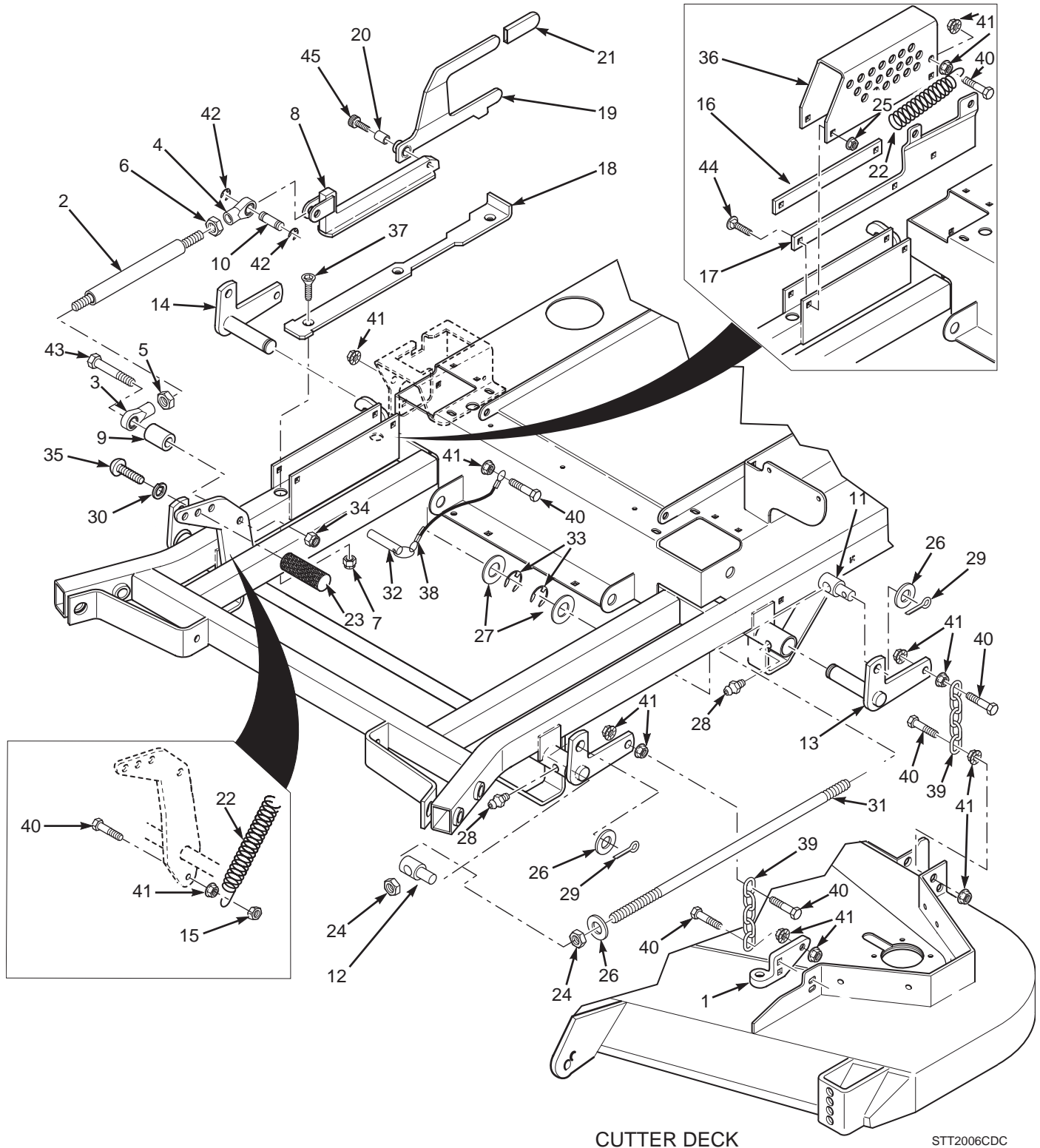


72A CUTTER DECK

Ref. No.	Part No.	Description
1	461865	Cutter Deck, 72" Advantage w/Decals
2	04003-40	Bolt, Carriage 7/16-14 x 1-1/4"
3	04019-04	Nut, Hex Serrated Flange 3/8-16
4	481625-01	Wing Nut, 3/8-16
5	481632	Anti-Scalp Wheel
6	04003-26	Bolt, Carriage 3/8-16 x 4"
7	422478	Anti-Scalp Wheel Bracket
8	04017-27	Bolt, Hex Serrated Flange 3/8-16 x 1"
9	04043-06	Flatwasher, 5/8" Hardened
10	04021-05	Locknut, 3/8-16 Center Lock
11	461296	Discharge Chute, 72" Adv.
12	04001-12	Bolt, Hex Head 5/16-18 x 1.75" - Front
	04001-11	Bolt, Hex Head 5/16-18 x 1.50" - Rear
13	04021-22	Nut, Hex Elastic Stop 5/16-18 Grade 8
14	04020-09	Nut, 5/8-11 UNC
15	451240	Push Arm Shaft
16	04001-41	Bolt, Hex Head 5/8-11 x 9.50"
17	04003-12	Bolt, Carriage 5/16-18 x .75"
18	04001-154	Bolt, Hex Head 5/16-18 x 4.75"
19	04063-08	Key, 1/4 x 1/4 x 2"
20	04063-01	Key, 1/4 x 1/4 x 1.25"
21	04043-04	Flatwasher, 3/8" (.39 x .938 x .105") HD
22	04001-11	Bolt, Hex Head 5/16-18 x 1-3/4"
23	04021-10	Nut, Hex Serrated Flange 5/16-18
24	04001-172	Bolt, Hex Head 1/4-20 x 1" Grade 8
25	48100-15	Bushing, .376" I.D. Oilite
26	04030-03	Lockwasher, 5/16"
27	04040-15	Flatwasher, 5/16" (.375 x .875 x .083")
28	04041-07	Flatwasher, 3/8" (.391 x .938 x .105")
29	04021-09	Nut, Hex Elastic Stop 3/8-16
30	04001-62	Bolt, Hex Head 3/8-16 x 3-1/4"
31	04001-54	Bolt, Hex Head 3/8-16 x 3"
32	43503	Pivot, Idler - Short
33	04001-136	Bolt, Hex Head 3/8-16 x 1.50" Grade 8
34	461663	Spindle Assembly
35	43589	Spindle Shaft
36	481024	Seal, Top
37	481022	Bearing Assembly
38	43644	Spindle Housing
39	43312	Spacer, Outside
40	43296	Spacer, Inside
41	481025	Seal, Bottom
42	43297	Spindle Bushing, Bottom
43	481035	Nut, Special 1-1/16-18
44	48114-04	Grease Fitting
45	48677	Relief Fitting, Tapered Spindle

Ref. No.	Part No.	Description
46	482245	Spring, Discharge Chute
47	48038	Guide, Roller
48	482882	Cutter Blade, 24.5"
49	482486	Gearbox Assembly, Deck Drive
50	481980	Belt, Cutter Deck Drive, 72"
51	45944	Roller Shaft
52	48926	Tapered Hub, 1-1/8" Bore
53	48141	Tapered Hub, 1" Bore
54	461842	Idler Arm, Cutter Deck
55	48224	Bearings, Ball
56	483215	Pulley, Idler
57	461929	Lever Assembly, Deck Level (Incl. 77)
58	482747	Pulley, 6.95" O.D. - 72"
59	424798	Mounting Plate, RH Gearbox
60	422677	Belt Cover, LH - 72"
	422708	Belt Cover, RH - 72"
61	461516	Pusharm (includes items 44, 63 & 64)
62	423795	Baffle, Custom Cut 72A
63	04020-16	Nut, Hex Head 5/8-18 UNF
64	48763	Rod End, 5/8" Male RH Thread
65	04001-79	Bolt, Hex Head 5/8-11 x 4-1/2"
66	483704	Spring, Cutter Deck
67	482745	Pulley, 6.35" O.D. - 72"
68	04110-03	U-Nut, 3/8-16
69	04021-13	Nut, Hex Elastic Stop 5/8-11
70	423958	Discharge Baffle 72"
71	482295	Wheel, Anti-Scalp
72	43590	Spacer, Spindle Bottom
73	04003-23	Bolt, Carriage 3/8-16 x 1"
74	04040-11	Flatwasher, 7/16" (.50 x 1.25 x .083")
75	04021-11	Nut, Elastic Stop 7/16-14
76	483167	Bolt, Deck Adjust
77	04003-12	Bolt, Carriage 5/16-18 x 3/4"
78	04040-04	Flatwasher, 5/16"
79	04021-04	Nut, Center Lock 5/16-18
80	483174	Wear Pad
81	04021-10	Nut, Elastic Stop 5/16-18
82	43763	Spacer, Gearbox Mount
83	424799	Mounting Plate, LH Gearbox
84	04001-154	Bolt, Hex Head 5/16-18 x 4-3/4"

CUTTER DECK CONTROLS



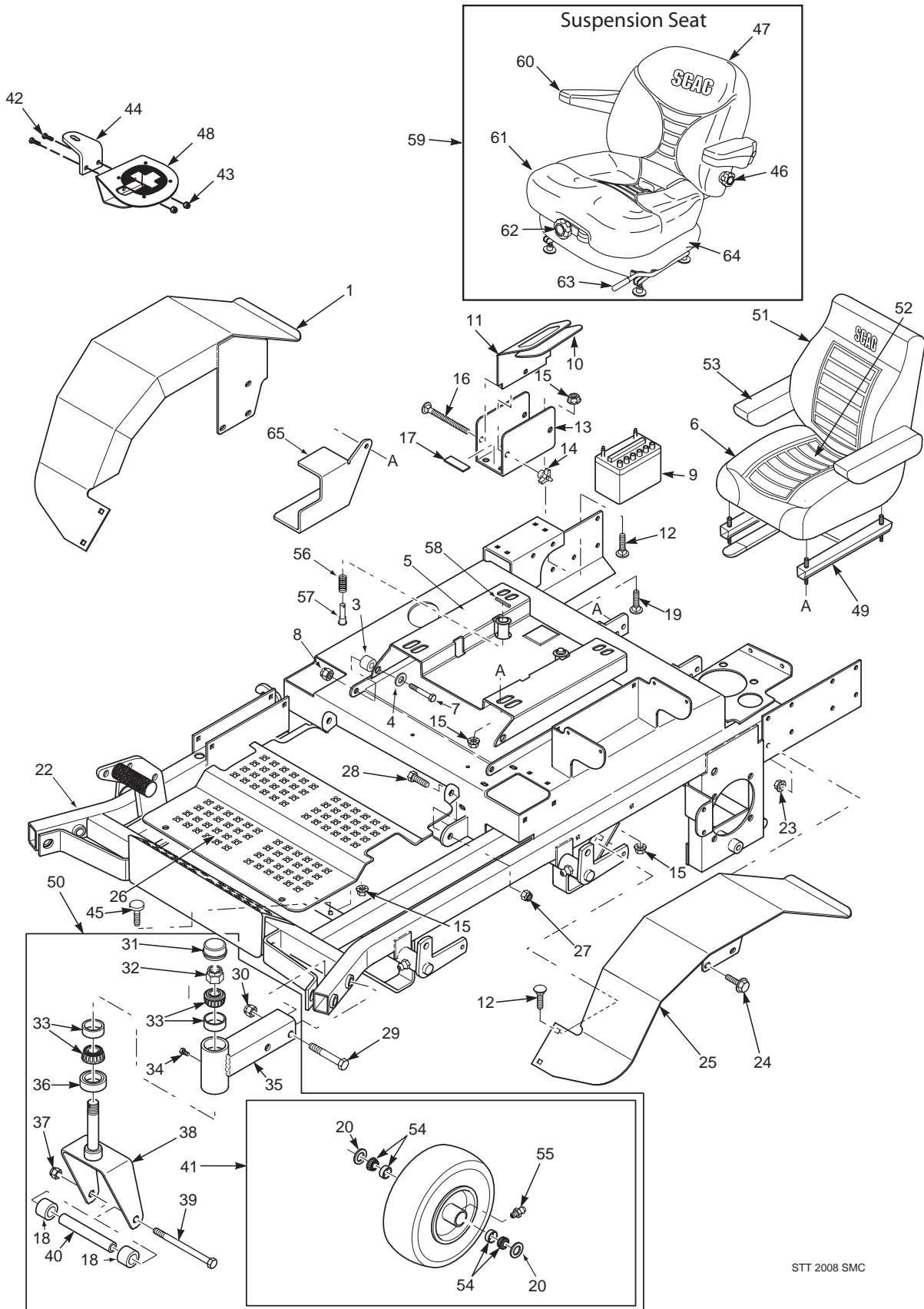
CUTTER DECK

STT2006CDC

CUTTER DECK CONTROLS

Ref. No.	Part No.	Description
1	461929	Lever Assembly, Deck Level
2	481764	Link, Deck Lift
3	481765	Rod End, Female - 1/2-20 RH
4	481766	Rod End, Female - 1/2-20 LH
5	04020-27	Nut, Jam 1/2-20 RH
6	04020-28	Nut, Jam 1/2-20 LH
7	04021-09	Nut, 3/8-16 Elastic Stop
8	482429	Slide Weldment, Height Adjustment
9	43391	Spacer, Decklift Pedal
10	43487	Pin, Decklift
11	43526	Swivel Joint, LH
12	43527	Swivel Joint, RH
13	45904	Bellcrank Weldment, LH Rear
14	45905	Bellcrank Weldment, RH Rear
15	04021-05	Locknut, 3/8-16 Center Lock
16	422381	Guide, Short
17	423509	Guide, Long
18	422346	Lockplate, Decklift
19	46975	Deck Latch (Includes items 20 & 21)
20	48100-14	Bushing, .502" ID.
21	481428	Grip, Deck Latch
22	481598	Spring, Helper (61" & 72" Cutter Decks Only)
23	424504	Foot Pedal, Height Adjustment
24	04020-09	Nut, Hex 5/8-11
25	04019 -03	Nut, Hex Serrated Flange 5/16-18
26	04040-09	Flatwasher, 5/8" (.656 x 1.312 x .095")
27	04041-14	Flatwasher, 1" (1.062 x 1.50 x .048")
28	48114-04	Grease Fitting
29	04061-07	Cotter Pin, 3/16 x 1"
30	04030-07	Lockwasher, 5/8"
31	04004-44	Stud, 5/8-11 x 22.0"
32	04067-09	Ring Pin, 1/2 x 3.06"
33	04050-08	Ring, Retaining 1" External "E"
34	04021-07	Nut, Hex Elastic Stop 1/2-13
35	04105-01	Capscrew, 5/8-11 x 1-1/2"
36	423463	Bracket, Cutting Height Adjustment
37	04014-03	Screw, Cap 5/16-18 x 3" FHHS
38	481547	Lanyard, Deck Height Pin
39	48540	Chain
40	04001-20	Bolt, Hex Head 3/8-16 x 1-1/2"
41	04019-04	Nut, Hex Serrated Flange 3/8-16
42	04050-10	Ring, Retaining 1/2" External "E"
43	04001-74	Bolt, Hex Head 1/2-13 x 3"
44	04003-04	Bolt, Carriage 5/16-18 x 1"
45	04009-02	Bolt, Shoulder 1/2 x 3/4"

SHEET METAL COMPONENTS



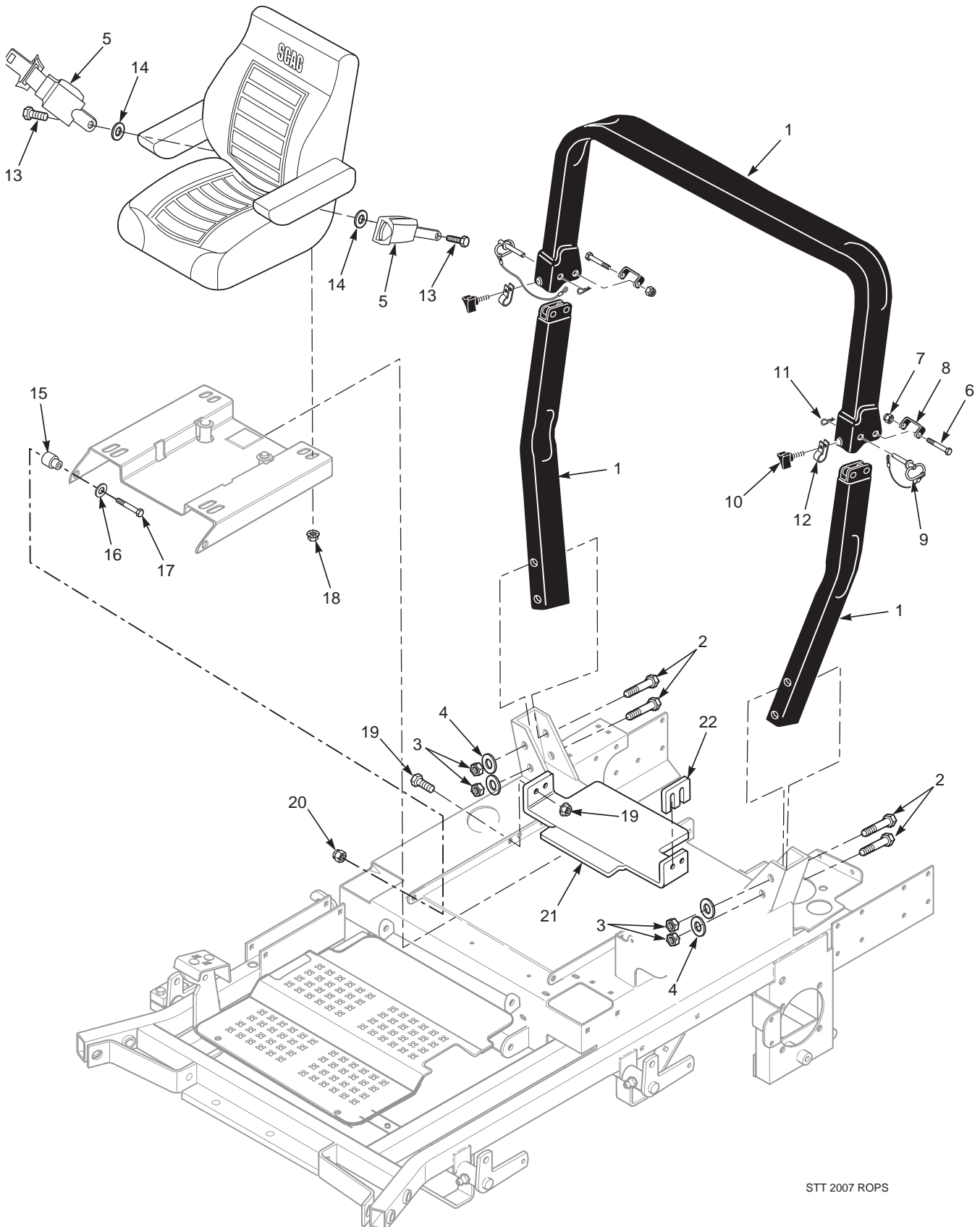
STT 2008 SMC

SHEET METAL COMPONENTS

Ref. No.	Part No.	Description
1	451481	Fender Weldment, RH
2	04001-09	Bolt, Hex Head, 5/16-18 x 1, Zinc
3	43606	Spacer
4	04041-07	Flatwasher, 3/8 (.391 x .938 x .105")
5	461967	Seat Plate Weldment
6	483384	Seat Assembly w/Armrest and Seat Belt
7	04001-45	Bolt, Hex Head 3/8-16 x 2.0"
8	04021-09	Nut, Elastic Stop 3/8-16
9	*	Battery (not avail. through Scag)
10	48903	Pad, Battery Cover
11	421274	Cover, Battery
12	04003-12	Bolt, Carriage 5/16-18 x 3/4"
13	423308	Plate, Battery Box
14	04029-01	Wing Nut, 1/4-20 x 3/4"
15	04019-03	Nut, Hex Serrated Flange 5/16-18
16	04003-01	Bolt, Carriage 1/4-20 x 6"
17	48661	Rubber Pad
18	43584	Spacer, Caster Wheel
19	04003-04	Bolt, Carriage 5/16-18 x 1"
20	482622	Seal
21	04021-09	Locknut, 3/8-16, Elast. Stop
22	461991	Main Frame
23	04019-04	Nut, Hex Serrated Flange 3/8-16
24	04017-27	Screw, Hex Serrated Flange 3/8-16 x 1"
25	451480	Fender Weldment, LH
26	423489	Foot Plate
27	04021-09	Nut, Hex Elastic Stop 3/8-16
28	04001-19	Bolt, Hex Head 3/8-16 x 1"
29	04001-125	Bolt, Hex Head 5/8-11 x 4"
30	04021-13	Nut, Hex Elastic Stop 5/8-11
31	481559	Cap, Grease
32	04021-20	Nut, Hex Elastic Stop 1.0-14
33	481657	Bearing W/Race
34	482028-01	Plug, 1/4-28 THD Form
35	451450	Extention Weldment, Caster 52V (LH)
	451957	Extention Weldment, Caster 52V (RH)
	451825	Extention Weldment, Caster 61V (LH)
	451451	Extention Weldment, Caster 61V (RH)
	451452	Extention Weldment, Caster 72A (LH)
	451453	Extention Weldment, Caster 72A (RH)
36	481025	Seal, 2.00" OD. x 1.625" Bore
37	04021-07	Nut, Hex Elastic Stop 1/2-13
38	45934	Yoke Weldment, Caster (52V)
	451416	Yoke Weldment, Caster (61V & 72A)
39	04001-134	Bolt, Hex Head 1/2-13 x 7-1/2" (52V)
	04001-167	Bolt, Hex Head 1/2-13 x 9-1/2" (61V & 72A)
40	43581	Sleeve, Caster Wheel (52V)
	43583	Sleeve, Caster Wheel (61V, 72A)
41	9277	Wheel Assy, 52V (Incl. items 20, 54, 55)
	9278	Wheel Assy, 61V, 72A (Incl. 20, 54, 55)
42	04001-01	Bolt, Hex Head 1/4-20 x 3/4"
43	04001-01	Bolt, Hex Head 1/4-20 x 3/4"
44	423674	Mounting Bracket, STT Cup Holder
45	482943	Lumbar Kit
	482948	Knob Kit

Ref. No.	Part No.	Description
46	48566	Cable, Seat Stop
47	482940	Back Cushion Kit
48	9240	Cup Holder Assembly
49	482502	Seat Adjustment, Track Set
50	462045	Caster Wheel Assembly (Incl. 31 thru 43) 52V (LH)
	462046	Caster Wheel Assembly (Incl. 31 thru 43) 52V (RH)
	461908	Caster Wheel Assembly (Incl. 31 thru 43) 61V (LH)
	461909	Caster Wheel Assembly (Incl. 31 thru 43) 61V (RH)
	461910	Caster Wheel Assembly (Incl. 31 thru 43) 72A (LH)
	461911	Caster Wheel Assembly (Incl. 31 thru 43) 72A (RH)
51	482614	Back Cushion Cover
52	482615	Seat Cushion Cover
53	482618	Armrest, Right Hand
	482617	Armrest, Left Hand
	482616	Armrest Cover
54	482621	Bearing w/ Race
55	48114-10	Grease Fitting
56	481389	Spring, Seat
57	43462	Pin Retainer, Spring
58	04060-01	Roll Pin, Spring 5/32 x 3/4"
59	483428	Suspension Seat Assembly w/seat belt
60	482950	Armrest Only
	482945	Armrest Assembly Kit, LH
	482946	Armrest Assembly Kit, RH
61	482941	Seat Cushion Kit Seat Drain Kit (Incl. with Seat Cushion)
62	482944	Weight Adjustment Kit
	482948	Knob Kit
63	482952	Seat Adjustment, Track Set
64	482942	Shock Absorber Kit
65	424819	Guard, Fuel Line

STT ROLL-OVER PROTECTION SYSTEM - without SUSPENSION SEAT

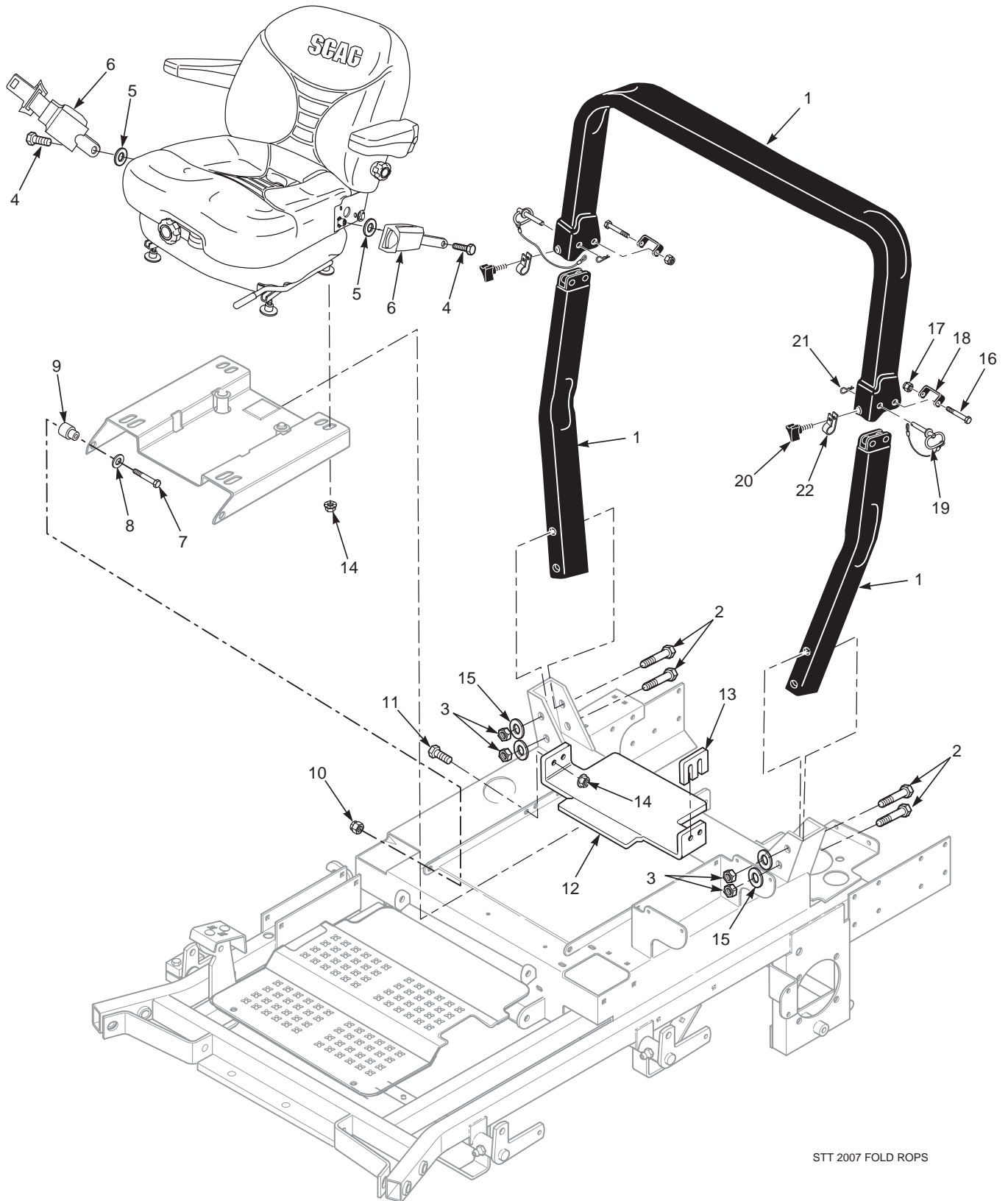


STT 2007 ROPS

STT ROLL-OVER PROTECTION SYSTEM - without SUSPENSION SEAT

Ref. No.	Part No.	Description
1	9514	STT, ROPS Accessory (incl. all items below)
2	04001-82	Bolt, Hex Head 1/2-13 x 4-1/2"
3	04021-19	Nut, Center Lock 1/2-13
4	04040-13	Flatwasher, 1/2 (.562 x 1.375 x .109")
5	483594	Retractable Seat Belt
6	04001-145	Bolt, Hex Head 1/2-13 x 3-1/2"
7	04021-19	Nut, Center Lock 1/2-13
8	424407	Bracket, Stop
9	483262	Pin
10	481625-03	Thumb Screw, 5/16-18 NC x 3/4"
11	04062-06	Hair Pin, Cotter
12	483265	Clamp
13	04001-178	Bolt, Hex Head 7/16-20 x 1"
14	04040-11	Flatwasher, 7/16 (.500 x 1.25 x .083")
15	43606	Sleeve, Seat Base Mounting
16	04041-07	Flatwasher, 3/8 (.391 x .938 x .105")
17	04001-45	Bolt, Hex Head 3/8-16 x 2"
18	04019-03	Nut, Serrated Flange 5/16-18
19	04001-09	Bolt, Hex Head 5/16-18 x 1"
20	04021-09	Nut, Elastic Stop 3/8-16
21	461968	Bracket, Seat Hold Down w/Decal
22	424193	Spacer, Seat Hold Down

STT ROLL-OVER PROTECTION SYSTEM - with SUSPENSION SEAT

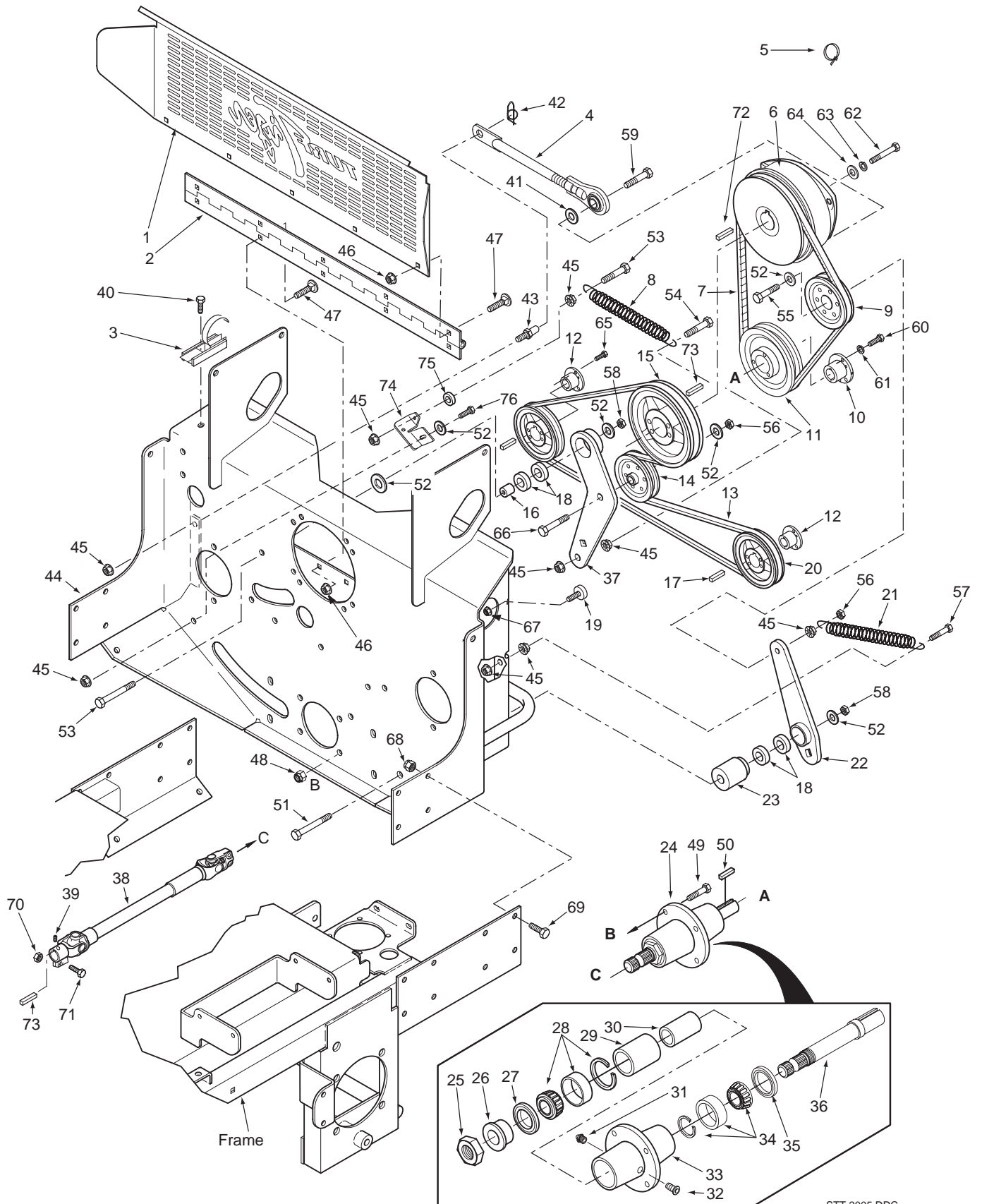


STT 2007 FOLD ROPS

STT ROLL-OVER PROTECTION SYSTEM - with SUSPENSION SEAT

Ref. No.	Part No.	Description
1	9514	STT, ROPS Accessory (incl. all items below)
2	04001-82	Bolt, Hex Head 1/2-13 x 4-1/2"
3	04021-19	Nut, Center Lock 1/2-13
4	04001-178	Bolt, Hex Head 7/16-20 x 1"
5	04040-11	Flatwasher, 7/16 (.500 x 1.25 x .083")
6	483594	Retractable Seat Belt
7	04001-45	Bolt, Hex Head 3/8-16 x 2"
8	04041-07	Flatwasher, 3/8 (.391 x .938 x .105")
9	43606	Sleeve, Seat Base Mounting
10	04021-09	Nut, Elastic Stop 3/8-16
11	04001-09	Bolt, Hex Head 5/16-18 x 1"
12	461968	Bracket, Seat Hold Down with Decal
13	424193	Spacer, Seat Hold Down
14	04019-03	Nut, Serrated Flange 5/16-18
15	04040-13	Flatwasher, 1/2 (.562 x 1.375 x .109")
16	04001-145	Bolt, Hex Head 1/2-13 x 3-1/2"
17	04021-19	Nut, Center Lock 1/2-13
18	424407	Bracket, Stop
19	483262	Pin
20	481625-03	Thumb Screw, 5/16-18 NC x 3/4"
21	04062-06	Hair Pin, Cotter
22	483265	Clamp

DECK DRIVE COMPONENTS



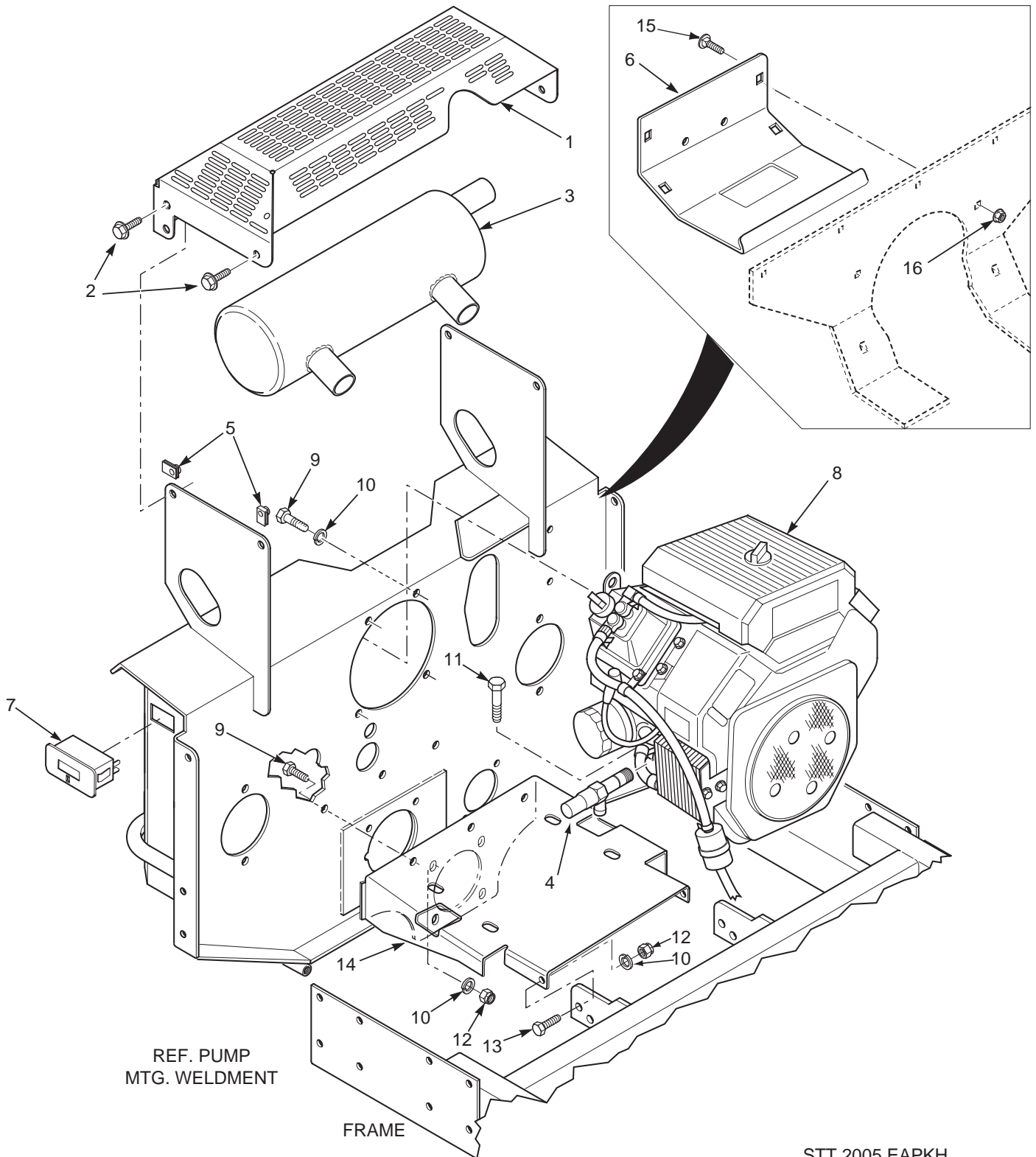
STT 2005 DDC

DECK DRIVE COMPONENTS

Ref. No.	Part No.	Description
1	423925	Belt Guard, Rear
2	481531	Hinge, Belt Guard
3	481309	Latch, Hood
4	482845	Rod Assembly, Clutch Anti-Rotation
5	48030-09	Clamp, Cable
6	461661	Tapered Hub, 1" Bore
	461662	Clutch, Ogura GT-5 (35BV)
7	482876	Belt, Deck Drive
8	483088	Spring, Transmission Idler
9	48181	Pulley, Idler 5" Dia.
10	481536	Tapered Hub, 1" Bore
11	482949	Pulley, 6.70" Tapered Bore
12	481884	Tapered Hub, 17mm Bore
13	483165	Belt, Pump Drive STT
	483166	Belt, Pump Drive (29DFI)
	483678	Belt, Pump Drive (35BV)
14	483214	Pulley, Idler 4" Dia.
15	483082	Pulley, 4.55" Dia.-1.125" Bore
	483083	Pulley, 5.15" Dia.-1.125" Bore (29DFI)
	483675	Pulley, 5.367" Dia. - 1.125" Bore (35BV)
16	43631	Spacer, Idler Bearing
17	04063-14	Key, 5.0 x 5.0 x 25mm
18	48224	Ball Bearing
19	481284	Bumper, Rubber
20	482745	Pulley, 6.35" O.D. (29DFI Only)
	482744	Pulley, 5.75" O.D. (35BV Only)
21	482667	Spring, PTO
22	461609	Idler Arm Weldment, PTO Drive
23	43632	Pivot, Idler PTO
24	461697	Spindle Assembly, Deck Drive
25	481035	Nut, 1.06"-18 Thread
26	43297	Spindle Bushing, Bottom
27	481025	Seal, 2.0" OD x 1.625" Bore
28	481022	Roller Bearing Tapered
29	43312	Spacer, Outside
30	43296	Spacer, Inside
31	48114-04	Grease Fitting, 1/4-28
32	48677	Relief Fitting
33	43644	Spindle Housing
34	481022	Roller Bearing Tapered
35	481024	Seal, 2.0" OD x 1.5" Bore
36	43534	Shaft, Deck Drive
37	461608	Idler Arm Weldment, Pump Drive
38	482424	Driveshaft (Air-Cooled Engine)
	482438	Driveshaft (Liquid-Cooled Engine)
39	04012-08	Set Screw, 3/8-16 x 3/4" Torx Socket
40	04011-11	Screw, #10-32 x .56"
41	04041-07	Flatwasher, 3/8 (.391 x .938 x .105")
42	04069-01	Pin, Rue Cotter 3/8" Dia.
43	43507	Stud, Anti Rotation
44	462092	Pump Mounting Plate Weldment (Air-Cooled)
	462091	Pump Mounting Plate Weldment (Liquid-Cooled)
45	04019-04	Nut, Serrated Flange 3/8-16

Ref. No.	Part No.	Description
46	04019-02	Nut, Serrated Flange 1/4-20
47	04003-07	Bolt, Carriage 1/4-20 x 1/2"
48	04021-22	Nut, Elastic Stop 5/16-18 Grade 8
49	04001-176	Bolt, Hex Head 5/16-18 x 1-3/4" Grade 8
50	04063-06	Key, 1/4 x 1/4 x 1-1/2"
51	04001-171	Bolt, Hex Head 3/8-16 x 4-1/2" Grd 8 Black
52	04043-04	Washer, 3/8" Hardened
53	04001-135	Bolt, Hex Head 3/8-16 x 1-3/4" Grd 8 Black
54	04001-136	Bolt, Hex Head 3/8-16 x 1-1/2" Grd 8 Black
55	04001-170	Bolt, Hex Head 3/8-16 x 2-1/2" Grd.8
56	04021-05	Nut, Center Lock 3/8-16
57	04001-136	Bolt, Hex Head 3/8-16 x 1-1/2" Grd 8 Black
58	04021-09	Nut, Elastic Stop 3/8-16
59	04001-45	Bolt, Hex Head 3/8-16 x 2"
60	04001-109	Bolt, Hex Head 1/4-20 x 1-3/8"
61	04030-02	Lockwasher, 1/4" Spring
62	04001-101	Bolt, Hex Head 7/16-20 x 2-1/2" UNF
63	04030-05	Lockwasher, 7/16" Spring
64	04041-28	Flatwasher, 7/16 (.469 x 1.75 x .25")
65	04001-172	Bolt, Hex Head 1/4-20 x 1" Grade 8
66	04001-21	Bolt, Hex Head 3/8-16 x 1-3/4"
67	04019-03	Nut, Serrated Flange 5/16-18
68	04021-09	Nut, Elastic Stop 3/8-16
69	04001-19	Bolt, Hex Head 3/8-16 x 1"
70	04021-05	Nut, Center Lock 3/8-16
71	04001-21	Bolt, Hex Head 3/8-16 x 1-3/4"
72	04063-02	Key, 1/4 x 1/4 x 2-1/4"
73	04063-20	Key, 1/4 x 1/4 x 1"
74	424138	Bracket
75	43063	Spacer
76	04001-19	Bolt, Hex Head 3/8-16 x 1"

ENGINE AND ATTACHING PARTS - KOHLER

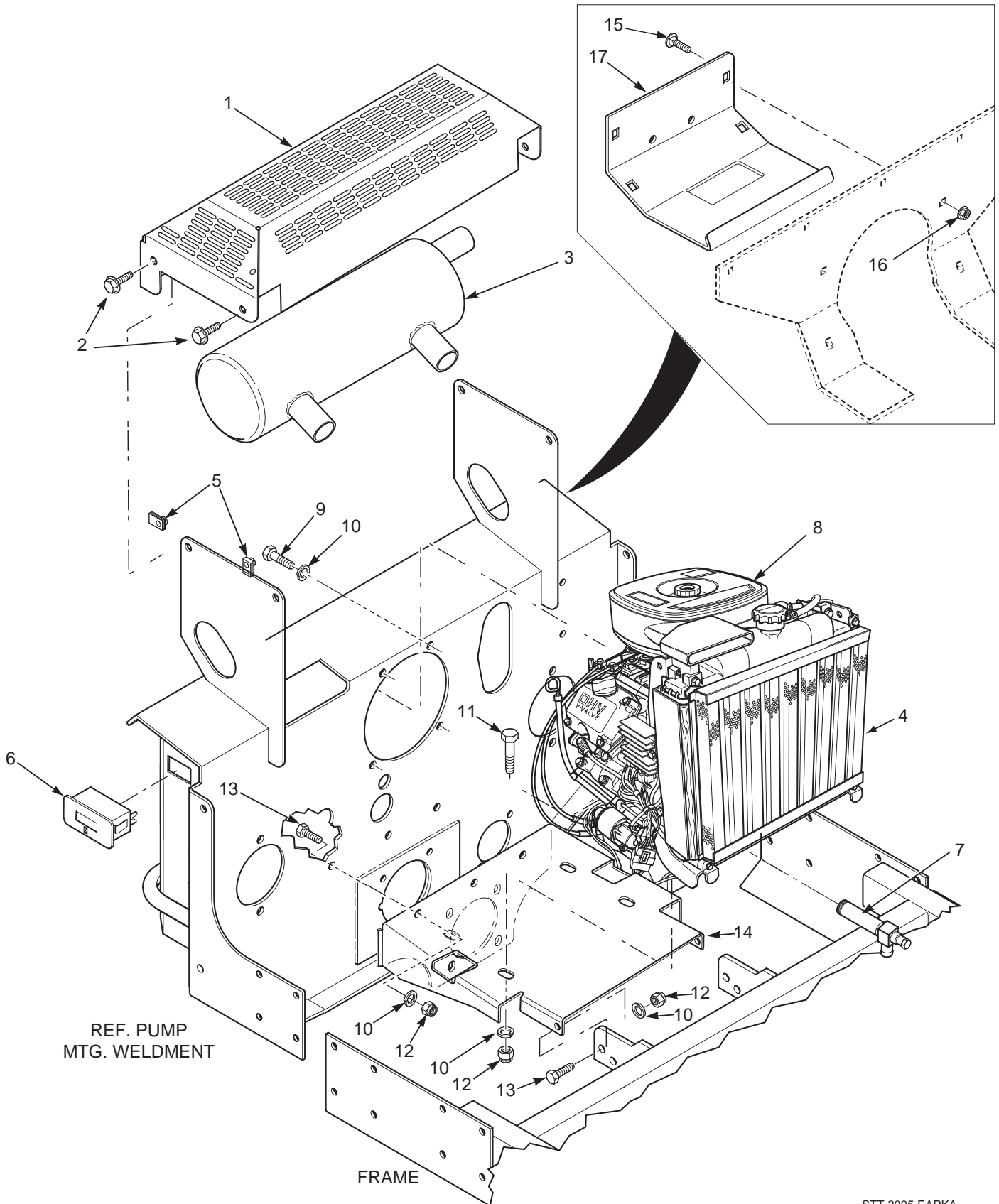


ENGINE AND ATTACHING PARTS - KOHLER

Ref. No.	Part No.	Description
1	422593	Muffler Guard
2	04017-05	Screw, Hex Serrated Flange 1/4-20 x 3/4"
3	**	Muffler, Part Of Engine (Available only through Kohler)
4	482510	Oil Drain Extension
5	04110-01	U-Nut, 1/4-20
6	424691	Rear Cover
7	483537	Hour Meter
8	** 482890	Engine, Kohler 27 CH (Available only through Kohler, Eng. Spec. PS-CH740-0041)
9	04001-19	Bolt, Hex Head 3/8-16 x 1"
10	04030-04	Lockwasher, 3/8" Spring
11	04001-21	Bolt, Hex Head 3/8-16 x 1-3/4"
12	04021-09	Nut, Hex Elastic Stop 3/8-16
13	04001-32	Bolt, Hex Head 3/8-16 x 1-1/4"
14	451459	Plate, Engine Mounting
15	04003-12	Bolt, Carriage 5/16-18 x 3/4"
16	04019-03	Nut, Hex Serrated Flange 5/16-18

** Available through the individual engine manufacturer.

ENGINE & ATTACHING PARTS - 27HP, 29DFI KAWASAKI

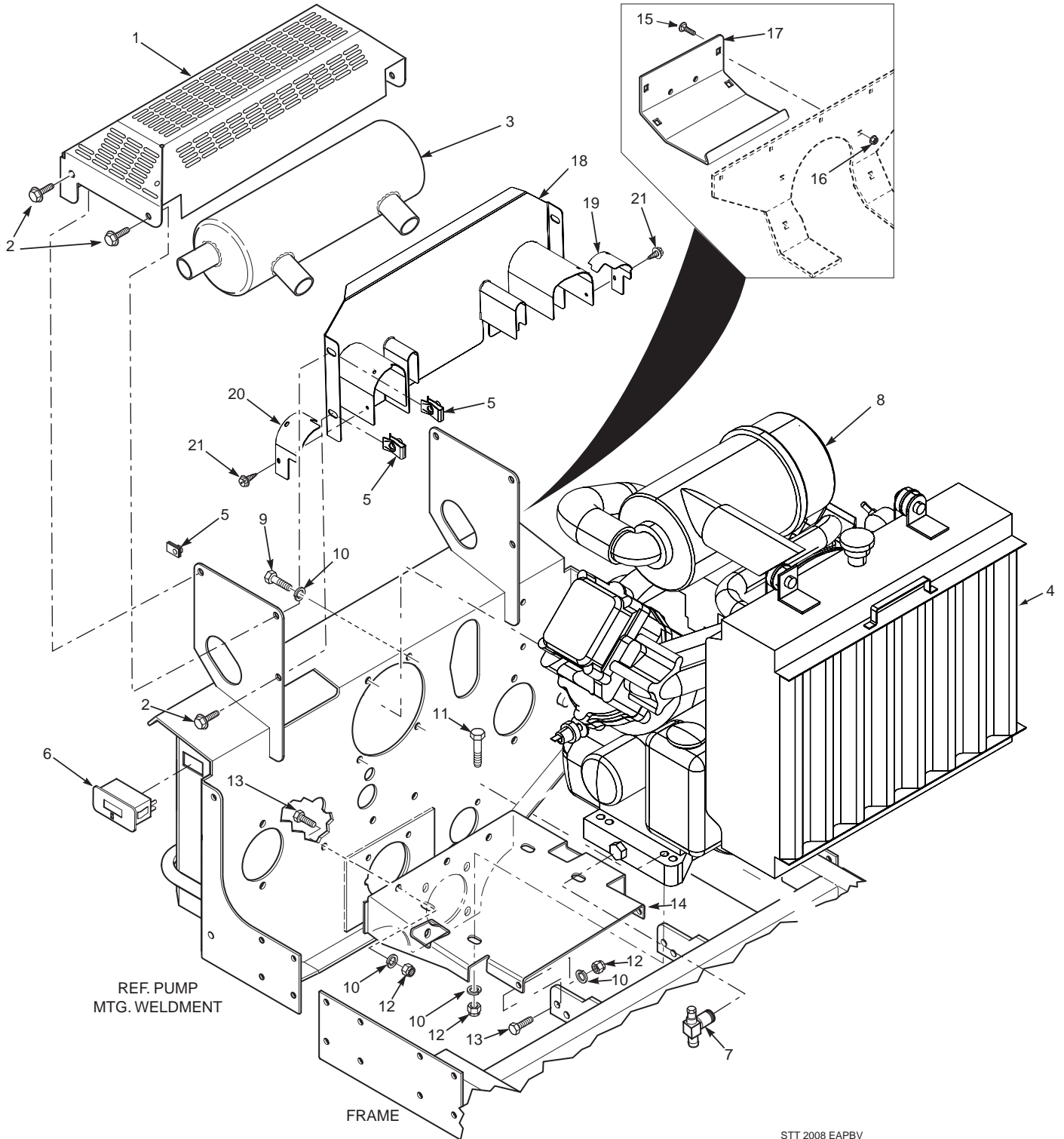


ENGINE & ATTACHING PARTS - 27HP, 29DFI KAWASAKI

Ref. No.	Part No.	Description
1	451378	Muffler Guard (Kawasaki)
2	04017-05	Screw, Hex Serrated Flange 1/4-20 x 3/4"
3	482699	Muffler (Kawasaki)
4	451421	Screen Weldment, Radiator (Kawasaki Only)
5	04110-01	U-Nut, 1/4-20
6	483537	Hour Meter
7	482351	Oil Drain, 2.6" (Kawasaki Only)
	483017	Oil Drain, (BV Only)
8	** 482809	Engine, Kawasaki 27KA (Available only through Kawasaki)
	** 482810	Engine, Kawasaki 29KA-DFI (Available only through Kawasaki)
	** 483258	Engine, Briggs & Stratton 35HP V-Twin Air-Cooled (Avail. only through B & S)
	** 483045	Engine, Briggs & Stratton 35HP V-Twin Liquid-Cooled (Avail. only through B & S)
9	04002-18	Bolt, M10-1.50 x 25mm Grade 8.8
10	04030-04	Lockwasher, 3/8" Spring
11	04001-21	Bolt, Hex Head 3/8-16 x 1-3/4"
12	04021-09	Nut, Hex Elastic Stop 3/8-16
13	04001-32	Bolt, Hex Head 3/8-16 x 1-1/4"
14	451454	Plate, Engine Mounting
15	04003-12	Bolt, Carriage 5/16-18 x 3/4"
16	04019-03	Nut, Hex Serrated Flange 5/16-18
17	424691	Rear Cover

** Available through the individual engine manufacturer.

ENGINE & ATTACHING PARTS - 35HP BRIGGS & STRATTON

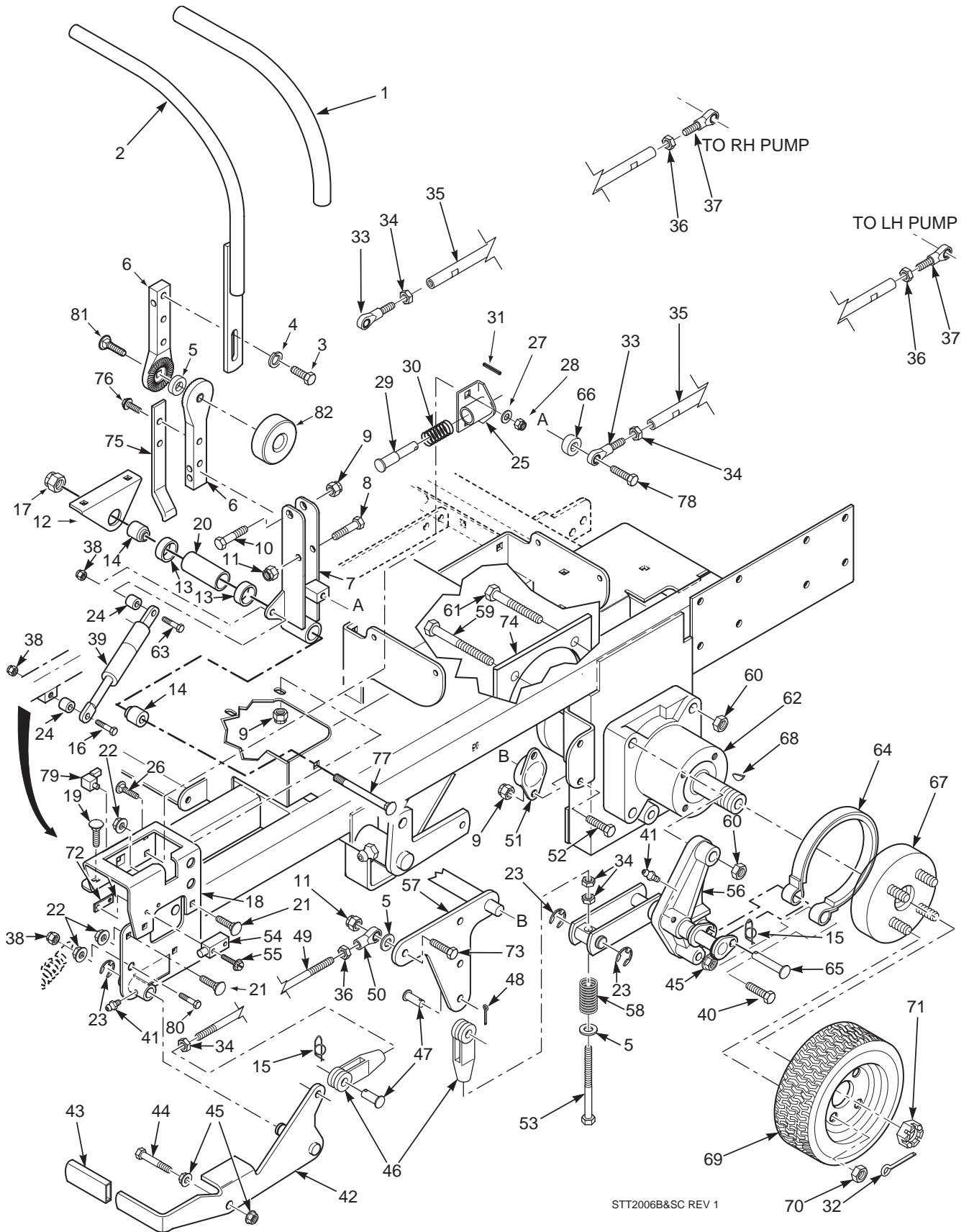


ENGINE & ATTACHING PARTS - 35HP BRIGGS & STRATTON

Ref. No.	Part No.	Description
1	422593	Muffler Guard (35BV, Briggs & Stratton)
2	04017-05	Screw, Hex Serrated Flange 1/4-20 x 3/4"
3	482860	Muffler, Briggs & Stratton
4	**	Screen Weldment, Radiator (Avail. only through B & S)
5	04110-01	U-Nut, 1/4-20
6	483537	Hour Meter
7	483017	Oil Drain, (BV Only)
8	** 483045	Engine, Briggs & Stratton 35HP V-Twin Liquid-Cooled (Avail. only through B & S)
9	04002-18	Bolt, M10-1.50 x 25mm Grade 8.8
10	04030-04	Lockwasher, 3/8" Spring
11	04001-21	Bolt, Hex Head 3/8-16 x 1-3/4"
12	04021-09	Nut, Hex Elastic Stop 3/8-16
13	04001-32	Bolt, Hex Head 3/8-16 x 1-1/4"
14	451454	Plate, Engine Mounting
15	04003-12	Bolt, Carriage 5/16-18 x 3/4"
16	04019-03	Nut, Hex Serrated Flange 5/16-18
17	424691	Rear Cover
18	451949	Heatshield Weldment, Muffler
19	424805	Heatshield Ext., LH
20	424804	Heatshield Ext., RH
21	04011-15	Screw, #10 x 1/2" Self Tap

** Available through the individual engine manufacturer.

BRAKE AND STEERING COMPONENTS



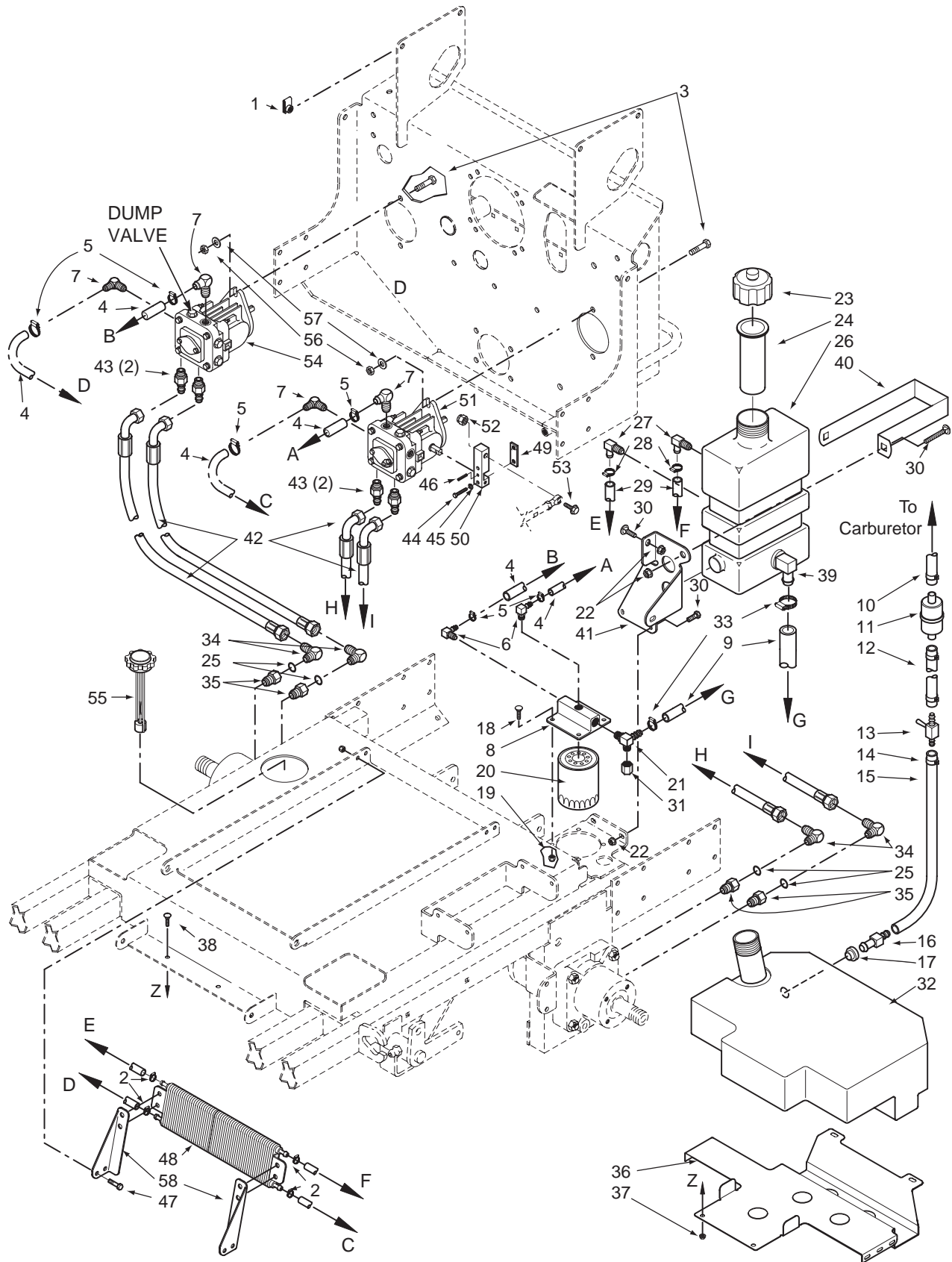
STT2006B&SC REV 1

BRAKE AND STEERING COMPONENTS

Ref. No.	Part No.	Description
1	482340	Grip, Handle Bar
2	461914	Handle Bar, LH (Includes item 1)
	461923	Handle Bar, RH (Includes item 1)
3	04001-09	Bolt, Hex Head 5/16-18 x 1"
4	04030-03	Lockwasher, 5/16"
5	483250	Rubber Spacer
6	483238	Bar, Control Lever
7	451483	Control Lever Weldment, LH
	451484	Control Lever Weldment, RH
8	04001-17	Bolt, Hex Head 5/16-18 x 2"
9	04021-10	Nut, Hex Elastic Stop 5/16-18
10	04001-45	Bolt, Hex Head 3/8-16 x 2"
11	04021-09	Nut, Hex Elastic Stop
12	423488	Mount, Control Linkage
13	48224	Ball Bearings, Neutral Return
14	43607	Spacer
15	04069-01	Pin, Rue Cotter 3/8" Dia.
16	04001-13	Bolt, Hex Head, 5/16-18 x 2.75" Zinc
17	04021-13	Nut, Hex Elastic Stop 5/8-11
18	461601	Bracket, Control Lever LH
	461602	Bracket, Control Lever RH
19	04003-04	Bolt, Carriage 5/16-18 x 1"
20	43600	Spacer, Bearing
21	04003-12	Bolt, Carriage 5/16-18 x 3/4"
22	04019-03	Nut, Hex Serrated Flange 5/16-18
23	04050-01	Ring, Retaining 5/8" External "E"
24	43602	Spacer
25	45918	Bracket, Neutral Return
26	04003-02	Bolt, Carriage 1/4-20 x 3/4"
27	04040-14	Flatwasher, 1/4" (.312 x .750 x .065")
28	04021-08	Nut, Hex Elastic Stop 1/4-20
29	43477	Pin, Retaining Spring
30	481389	Spring
31	04060-01	Roll Pin, Spring 5/32" x 3/4"
32	04061-06	Pin, Cotter 9/16" x 1-1/2"
33	482586	Rod End, Male 3/8"-24 RH Thread
34	04020-25	Nut, 3/8"-24 RH Thread
35	43629	Tube, Control Link Air-Cooled Engine
	43624	Tube, Control Link Liquid-Cooled Engine
36	04020-26	Nut, Hex 3/8"-24 LH Thread
37	482585	Rod End, Male 3/8"-24 LH Thread
38	04021-10	Locknut, 5/16-18, Elastic Stop
39	482794	Gas Damper
40	04001-187	Bolt, Hex Head 1/2-13 x 2-1/2" Grade 8
41	48114-04	Grease Fitting
42	461082	Lever, Parking Brake (Includes item 43)
43	481548	Grip, Parking Brake
44	04001-22	Bolt, Hex Head 3/8-16 x 2-3/4"
45	04019-06	Nut, Hex Serrated Flange 1/2-13

Ref. No.	Part No.	Description
46	48343-04	Clevis, Traction Control
47	04064-02	Pin, Clevis 3/8-16 x 1-1/16"
48	04061-02	Pin, Cotter 3/32 x .75"
49	04004-34	Rod, Parking Brake
50	48544	Rod End, LH Thread
51	48796	Bushing, Self Align
52	04001-08	Bolt, Hex Head 5/16-18 x 3/4"
53	04001-147	Bolt, Hex Hd 3/8-24 x 5-1/4", 23/4" Thrd
54	481637	Switch
55	04010-12	Screw, Hex-Slotted Washer Head #10 32 x 3/4"
56	462100	Brake Linkage, LH
	462101	Brake Linkage, RH
57	45953	Bellcrank, Brake Actuator
58	48807	Spring
59	04001-163	Bolt, Hex Head 1/2-13 x 3-3/4"
60	04021-19	Locknut, Hex 1/2-13 Center Lock
61	04001-52	Bolt, Hex Head 1/2-13 x 2-1/2"
62	483190	Wheel Motor, Hydro-Gear 15E (27CH, 27KA)
	482639	Wheel Motor, Ross (29DFI)
	483677	Wheel Motor, Hydro-Gear 18E (35BV)
63	04001-12	Bolt, Hex Head, 5/16-18 x 1.75", Zinc
64	483644	Brake Band Assembly
65	04064-16	Pin, Clevis 3/8" Dia. x 1.93"
66	43063	Spacer
67	461438	Wheel Hub/Brake Drum Assembly
68	04063-25	Key, Woodruff 5/16 x 1"
69	481552	Wheel Assembly 23 x 10.5-12 (52" Only)
	481659	Rim W/Valve Stem (52" Only)
	481660	Tire, 23 x 10.5-12 (52" Only)
	481850	Wheel Assembly 24 x 12-12 Turf Master
	481851	Rim W/Valve Stem
	481852	Tire, 24 x 12-12 Turf Master
70	04028-02	Lug Nut, 1/2-20
71	48680	Nut, Hex Castle
72	422373	Threaded Plate
73	04001-20	Bolt, Hex Head 3/8-16 x 1-1/2"
74	423279	Plate Weldment, Motor Backing
75	423491	Actuator Switch
76	04017-16	Bolt, Hex Serrated Flange 5/16-18 x 3/4"
77	04003-36	Bolt, Carriage 3/8-16 x 4-3/4"
78	04001-19	Bolt, Hex Head 3/8-16 x 1"
79	481638	Switch
80	04001-168	Bolt, Hex Head 3/8-16 x 1-1/4" Grade 8
81	04003-38	Bolt, Carriage 5/16-18 x 1-1/2"
82	483269	Knob

FUEL AND HYDRAULIC SYSTEM



2006 STT F&HS.eos

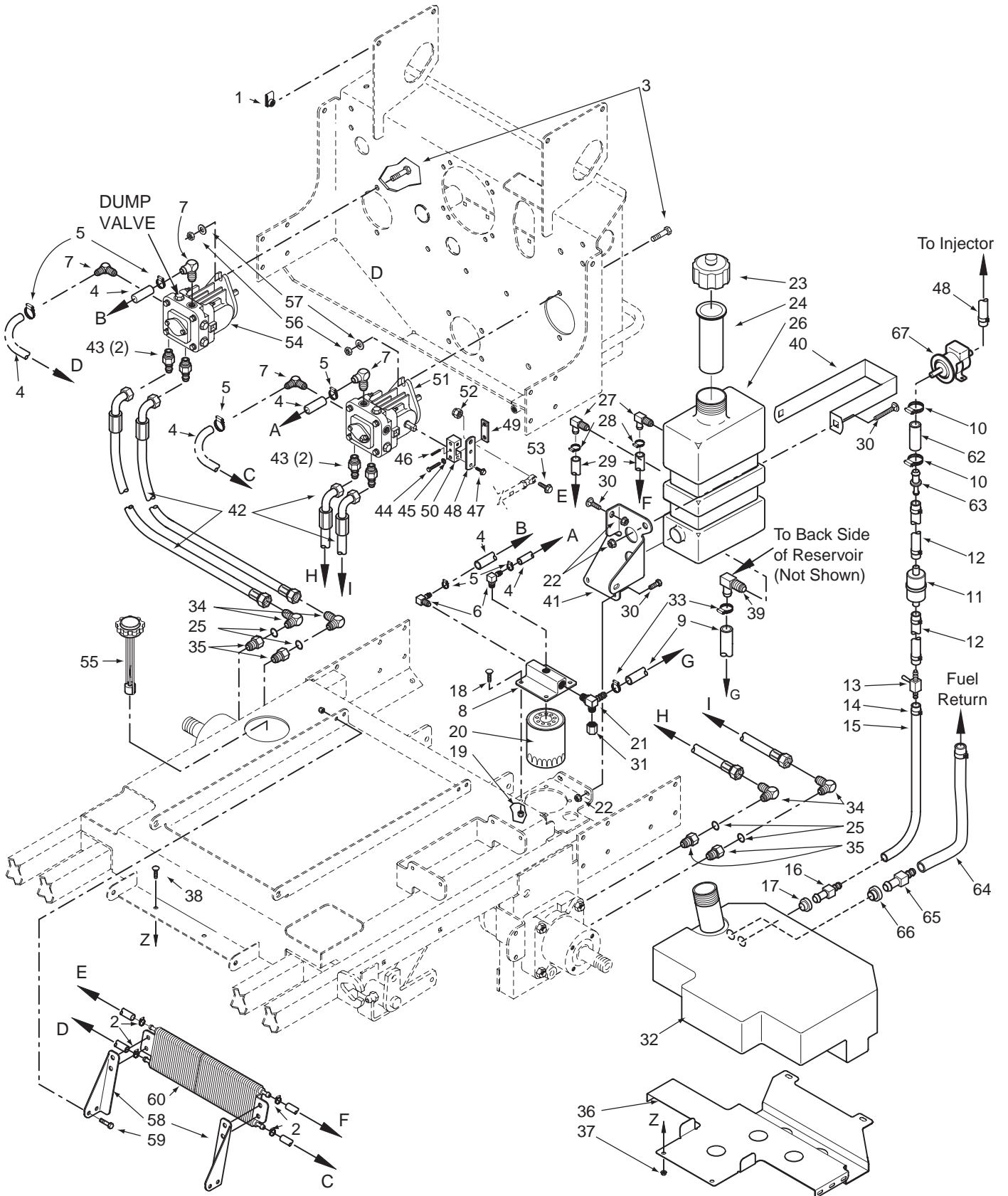
FUEL AND HYDRAULIC SYSTEM

Ref. No.	Part No.	Description
1	04110-01	U-Nut 1/4-20
2	48136-13	Hose Clamp, 0.69" Dia.
3	04001-03	Bolt, Hex Head 1/4-20 x 2.0"
4	48811	Hose, 3/8" ID Pushlock - (order by inch)
5	48136-07	Clamp, Hose 1/2"
6	481301-03	Elbow, 90 Degree - 1/4" NPT x 3/8" Hose
7	482266-01	Elbow, 90 Degree - 9/16" O-Ring x 3/8" Hose
8	48471-02	Oil Filter Base
9	482606	Hose Assembly, 1/2" ID (Tank to Filter Base)
10	**	Fuel Hose to Carb.
11	**	Fuel Filter
12	483617	Fuel Hose, 1/4" ID. Non-Perm. (order by inch)
13	481308	Valve, Shutoff Kawasaki
	481753	Valve, Shutoff Kohler
14	48059-01	Clamp, Fuel Hose
15	483617	Fuel Hose, 1/4" ID. Non-Perm. (order by inch)
16	481602	Hose Fitting
17	48309	Bushing
18	04001-09	Bolt, Hex Head 5/16-18 x 1.0" Zinc
19	04019-03	Nut, Serrated Flange 5/16-18
20	48758	Oil Filter
21	482483	Tee, 3/4" O-Ring x JIC x 1/2" Hose
22	04021-08	Nut, Hex Elastic Stop 1/4-20
23	481164	Cap, Hydraulic Tank
24	481507	Insert, Filler Neck
25	48603-02	O-Ring
26	461451	Oil Reservoir Assembly (incl. 24, 27, 39)
27	482572	Elbow, 90 Degree .38" Hose
	482571	Bushing, .56" Dia. Viton
28	48136-13	Hose Clamp, 0.69" Dia.
29	48811	Hose, 3/8" ID, Pushlock (order by inch)
30	04010-10	Screw, Phillips Head, 1/4-20
31	48571-02	Cap
32	461751	Fuel Tank Assembly (incl. items 23 & 24)
33	48136-05	Clamp, Hose
34	48350-02	Elbow, 90 Degree, 1/2" x 1/2"
	48350-05	Elbow, 90 Degree, 5/8" x 1/2" (35BV Only)
35	48938-02	Bushing, 7/8"-14 JIC x 3/4"-16 O-Ring
36	423701	Support Bracket, Fuel Tank
37	04019-03	Nut, 5/16-18 Serrated Flange
38	04003-02	Bolt, Carriage 1/4-20 x 3/4"
39	482574	Elbow, 90 Degree
	482573	Bushing, .78" Dia. Viton
40	423513	Strap, Hydraulic Tank

Ref. No.	Part No.	Description
41	423485	Support Bracket, Hydraulic Tank
42	481611	Hose Assembly, Pump (27CH, 27KA, 29DFI)
	483676	Hose Assembly, Pump (35BV Only)
43	48572-04	Union, 3/4"-16 JIC x 3/4"-16 O-Ring
44	04001-59	Bolt, Hex Head, 1/4-20 x 1-1/4"
45	04030-02	Lockwasher, 1/4" Spring
46	04060-09	Roll Pin, Spring 3/16 x 3/4"
47	04001-08	Bolt, Hex Head 5/16-18 x 3/4"
48	482505	Cooler, Oil
49	422694	Clamp Plate, Pump Control
50	481793	Block, Pump Control
51	482695	Pump, Left Hand, BDP-16A-410
	483101	Pump, Left Hand, BDP-16A (31BV)
52	04021-09	Nut, Hex, Elastic Stop 3/8-16
53	04001-32	Bolt, Hex Head, 3/8-16 x 1-1/4"
54	482696	Pump, Right Hand, BDP 16A-307
	483100	Pump, Right Hand, BDP-16A (31BV)
55	482497	Cap, Fuel Tank W/Gauge
56	04021-09	Nut, Hex Elastic Stop 3/8-16
57	04043-04	Flatwasher, 3/8" (.391 x .938 x .105") Grade 8
58	423524	Mounting Bracket - LH, Oil Cooler
	423525	Mounting Bracket - RH, Oil Cooler

** Available through the individual engine manufacturer.

FUEL AND HYDRAULIC SYSTEM - 29DFI KAWASAKI



2002 STT F&HS-DFI.eps

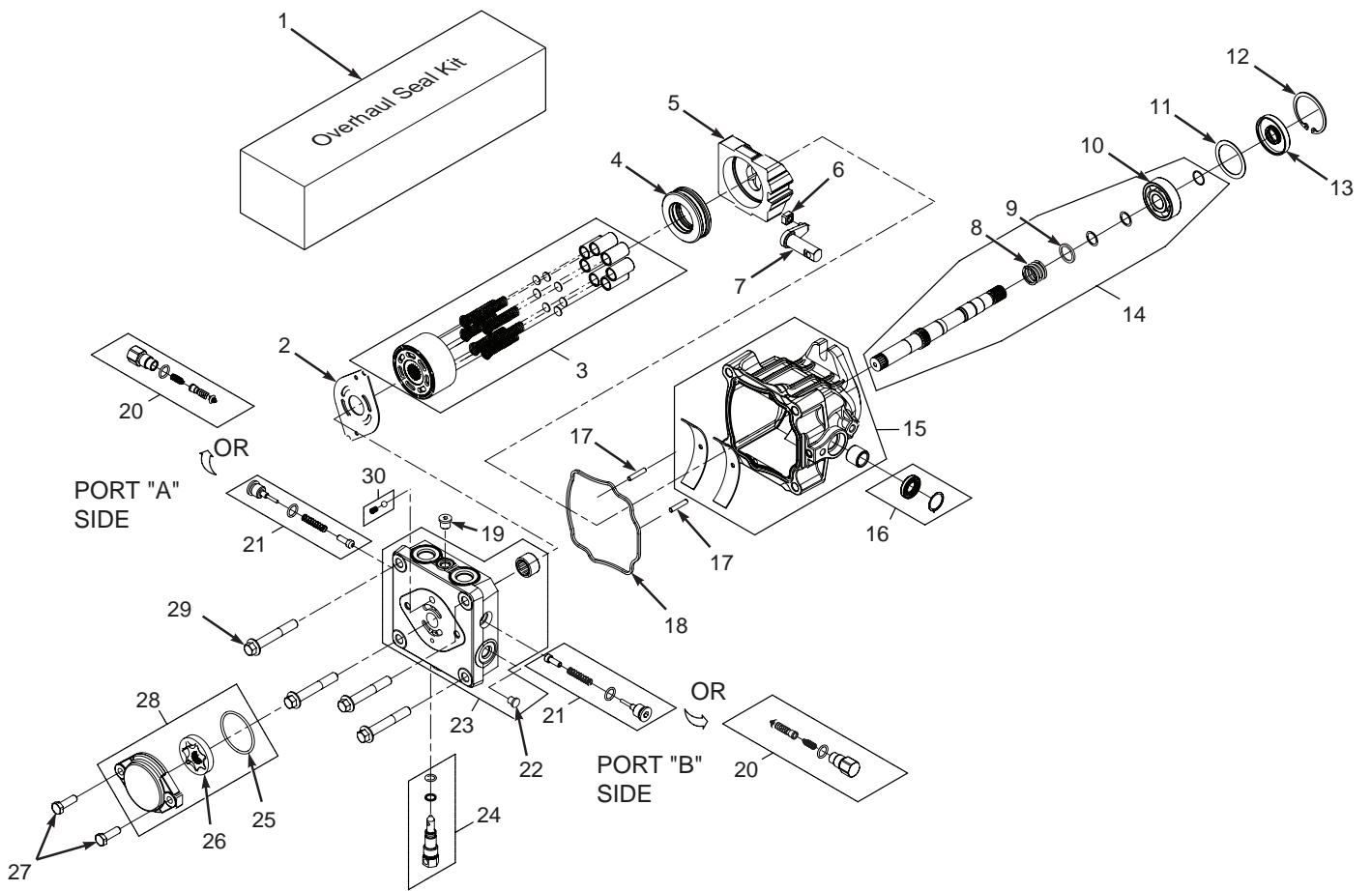
FUEL AND HYDRAULIC SYSTEM - 29DFI KAWASAKI

Ref. No.	Part No.	Description
1	04110-01	U-Nut 1/4-20
2	48136-13	Hose Clamp, 0.69" Dia.
3	04001-03	Bolt, Hex Head 1/4-20 x 2.0"
4	48811	Hose, 3/8" ID Pushlock - (order by inch)
5	48136-07	Clamp, Hose 1/2"
6	481301-03	Elbow, 90 Degree - 1/4" NPT x 3/8" Hose
7	482266-01	Elbow, 90 Degree - 9/16" O-Ring x 3/8" Hose
8	48471-02	Oil Filter Base
9	482606	Hose Assembly, 1/2" ID (Tank to Filter Base)
10	48136-05	Clamp, .87" max Dia.
11	**	Fuel Filter, Kawasaki (p/n 49019-1055)
12	483620	Fuel Hose, 5/16" ID. Non-Perm. (order by inch)
13	481308	Valve, Shutoff Kawasaki
14	48059-01	Clamp, Fuel Hose
15	483620	Fuel Hose, 5/16" ID. Non-Perm. (order by inch)
16	483749	Hose Fitting w/Screen
17	48309	Bushing
18	04001-09	Bolt, Hex Head 5/16-18 x1.0" Zinc
19	04019-03	Nut, Serrated Flange 5/16-18
20	48758	Oil Filter
21	482483	Tee, 3/4" O-Ring x JIC x 1/2" Hose
22	04021-08	Nut, Hex Elastic Stop 1/4-20
23	481164	Cap, Hydraulic Tank
24	481507	Insert, Filler Neck
25	48603-02	O-Ring
26	461451	Oil Reservoir Assembly (incl. 24, 27, 39)
27	482572	Elbow, 90 Degree .38" Hose
	482571	Bushing, .56" Dia. Viton
28	48136-13	Hose Clamp, 0.69" dia.
29	48811	Hose, 3/8" ID, Pushlock (order by inch)
30	04010-10	Screw, Phillips Head, 1/4-20
31	48571-02	Cap
32	461586	Fuel Tank Assembly (incl. items 16, 17, 65, 66)
33	48136-05	Clamp, Hose
34	48350-02	Elbow, 90 Degree, 7/8"-14 THD
35	48938-02	Bushing, 7/8"-14 JIC x 3/4"-16 O-Ring
36	423701	Support Bracket, Fuel Tank
37	04019-03	Nut, 5/16-18 Serrated Flange
38	04003-02	Bolt, Carraige 1/4-20 x 3/4"
39	482574	Elbow, 90 Degree
	482573	Bushing, .78" Dia. Viton
40	423513	Strap, Hydraulic Tank

Ref. No.	Part No.	Description
41	423485	Support Bracket, Hydraulic Tank
42	481611	Hose Assembly, Pump
43	48572-04	Union, 3/4"-16 JIC x 3/4"-16 O-Ring
44	04001-59	Bolt, Hex Head, 1/4-20 x 1-14"
45	04030-02	Lockwasher, 1/4" Spring
46	04060-09	Roll Pin, Spring 3/16 x 3/4"
47	04017-05	Bolt, Hex Serrated Flange, 1/4-20 x 3/4"
48	481178	Fuel Hose, 5/16" ID. (order by inch)
49	422694	Clamp Plate, Pump Control
50	481793	Block, Pump Control
51	483101	Pump, Left Hand, BDP-16A
52	04021-09	Nut, Hex, Elastic Stop 3/8-16
53	04001-32	Bolt, Hex Head, 3/8-16 x 1-1/4"
54	483100	Pump, Right Hand, BDP 16A
55	482497	Cap, Fuel Tank W/Gauge
56	04021-09	Nut, Hex Elastic Stop 3/8-16
57	04043-04	Flatwasher, 3/8" (.391 x .938 x .105") Grade 8
58	423524	Mounting Bracket - LH, Oil Cooler
	423525	Mounting Bracket - RH, Oil Cooler
59	04001-08	Bolt, Hex Head 5/16-18 x 3/4"
60	482505	Cooler, Oil
61	48136-13	Clamp, .69" Dia.
62	482702	Hose, Fuel Line (order by inch)
63	**	Adapter, 1/2" - 5/16" (p/n 59071-2141)
64	483622	Hose, 1/4" Fuel Line Non-Perm. (order by inch)
65	482703	Fitting, Hose
66	48309	Bushing
67	**	Fuel Pump, Kawasaki 29DFI
68	483620	Fuel Hose, 5/16" ID. Non-Perm. (order by inch)

** Available through the individual engine manufacturer.

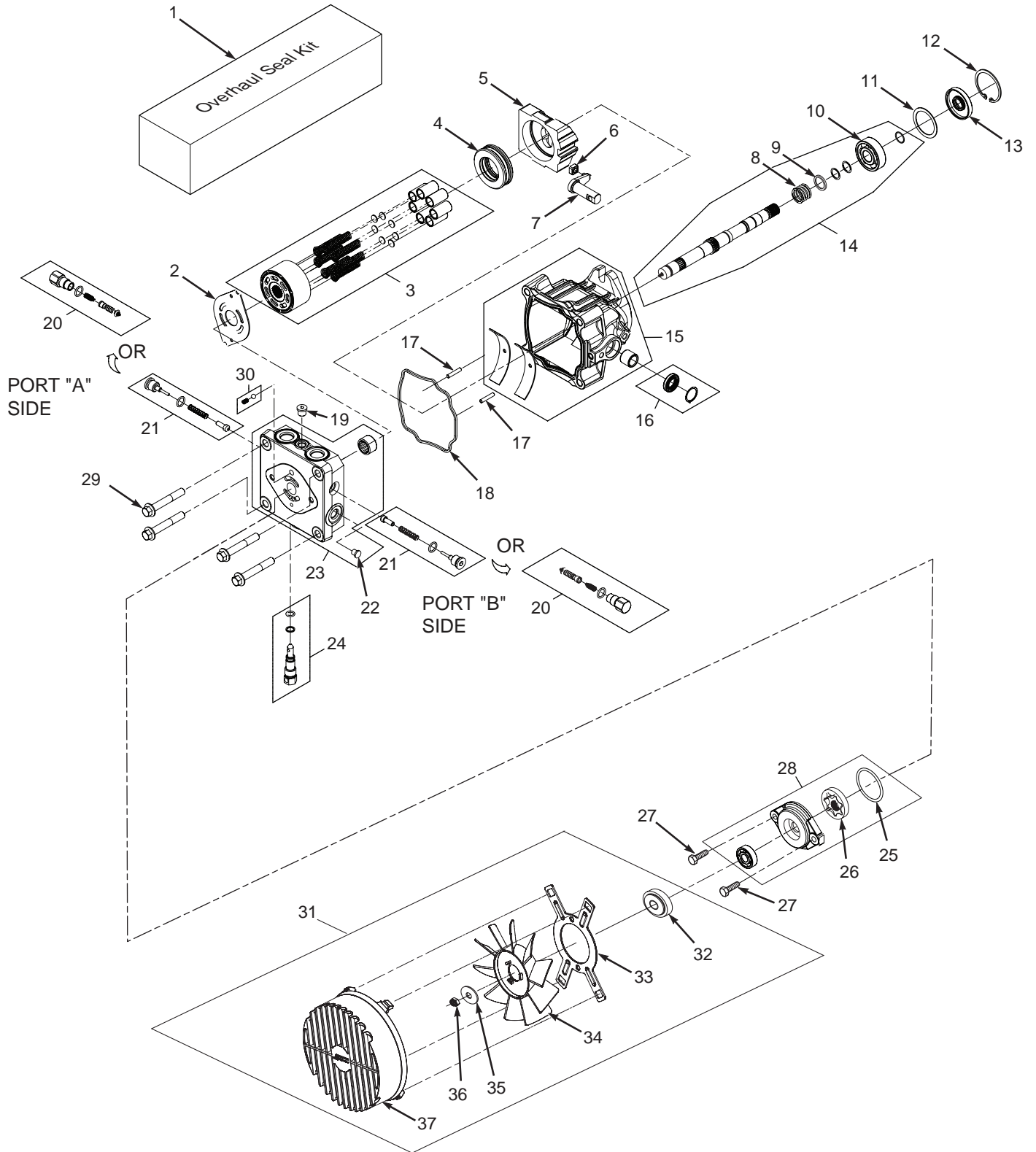
BDP-16A HYDRAULIC PUMP ASSEMBLY



BDP-16A HYDRAULIC PUMP ASSEMBLY

Ref. No.	Part No.	Description
1	HG70740	Overhaul Seal Kit
2	HG51455	Valve Plate
3	HG70735	Cylinder Block Kit - 16cc
4	HG51462	Thrust Ball Bearing Assembly
5	HG51436	Variable Swashplate
6	HG2000015	Slot Guide
7	HG2000014	Trunnion Arm
8	HG2000025	Block Spring
9	HG2000024	Block Thrust Washer
10	HG2000032	Shaft Ball Bearing
11	HG2000023	Spacer
12	HG2000038	Retaining Ring
13	HG51092	Seal
14	HG70581	Kit, Pump Shaft
15	HG70738	Housing Kit
16	HG70739	Trunnion Seal Kit
17	HG50641	Pin
18	HG51437	O-Ring
19	HG9005110-7500	Straight Thread Plug
20	HG70743	Shock Valve Kit (.031 Orifice)
21	HG70742	Shock Valve Kit (.024 Orifice)
22	HG9005200-7500	Straight Thread Plug
23	HG70736	End Cap Kit
24	HG2513030	Bypass Valve Kit
25	HG9004100-1430	O-Ring
26	HG50406	Gerotor Assembly (.19 cu.in./rev.)
27	HG50173	Socket Head Cap Screw (M8 x 1.25-25mm)
28	HG2510071	Charge Pump Kit (.19 STD. Splined)
29	HG51457	Hex Screw, Flanged Head (M10 x 1.50-65mm)
30	HG70402	Charge Relief Kit

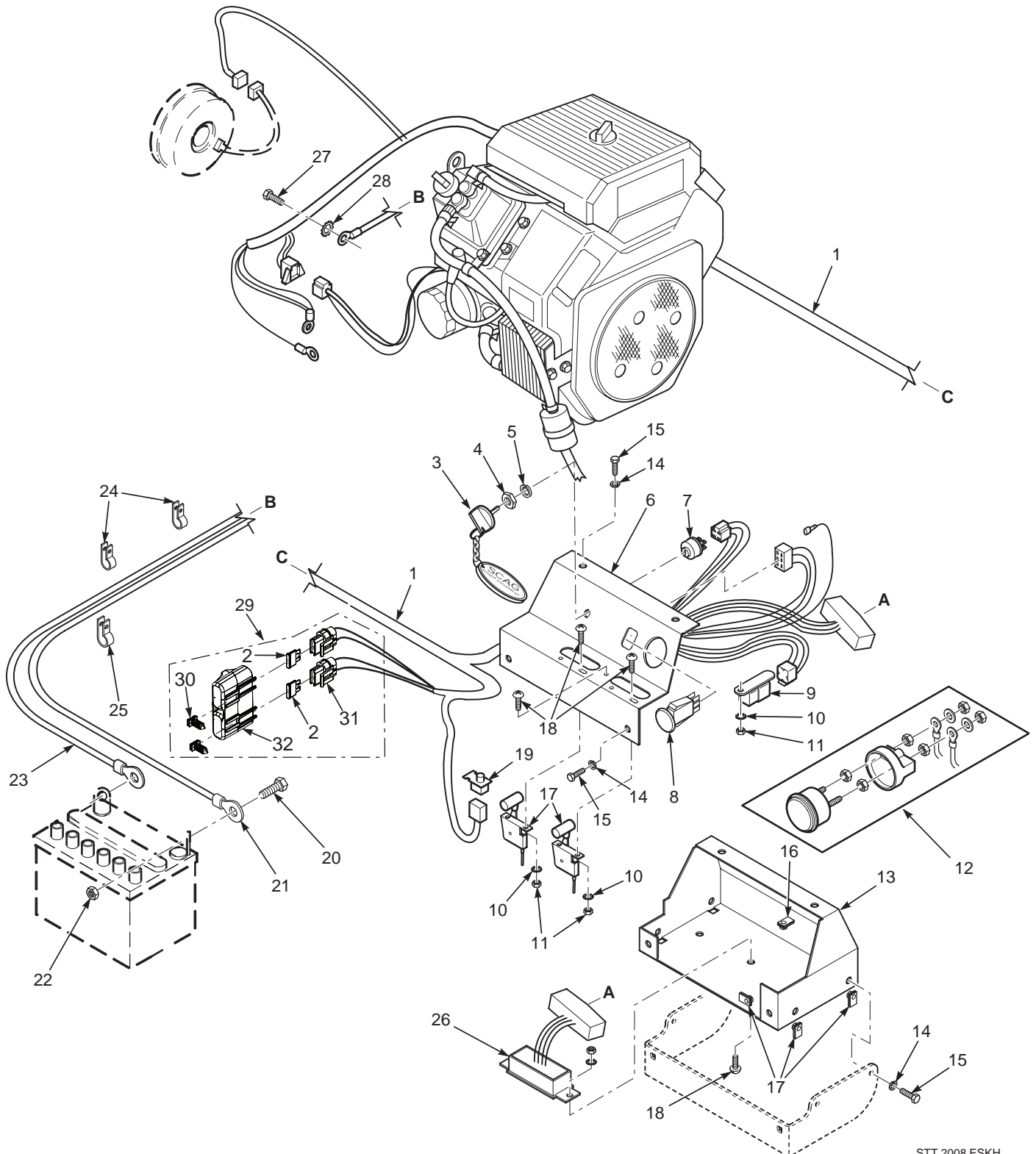
BDP-16A HYDRAULIC PUMP ASSEMBLY with COOLING FAN (29DFI, 35BV ONLY)



BDP-16A HYDRAULIC PUMP ASSEMBLY with COOLING FAN (29DFI, 35BV ONLY)

Ref. No.	Part No.	Description
1	HG70740	Overhaul Seal Kit
2	HG51455	Valve Plate
3	HG70735	Cylinder Block Kit - 16cc
4	HG51462	Thrust Ball Bearing Assembly
5	HG51436	Variable Swashplate
6	HG2000015	Slot Guide
7	HG2000014	Trunnion Arm
8	HG2000025	Block Spring
9	HG2000024	Block Thrust Washer
10	HG2000032	Shaft Ball Bearing
11	HG2000023	Spacer
12	HG2000038	Retaining Ring
13	HG51092	Seal
14	HG70578	Kit, Pump Shaft (keyed thru taper)
15	HG70738	Housing Kit
16	HG70739	Trunnion Seal Kit
17	HG50641	Pin
18	HG51437	O-Ring
19	HG9005110-7500	Straight Thread Plug
20	HG70743	Shock Valve Kit (.031 Orifice)
21	HG70742	Shock Valve Kit (.024 Orifice)
22	HG9005200-7500	Straight Thread Plug
23	HG70736	End Cap Kit
24	HG2513030	Bypass Valve Kit
25	HG9004100-1430	O-Ring
26	HG50406	Gerotor Assembly (.19 cu.in./rev.)
27	HG50173	Socket Head Cap Screw (M8 x 1.25-25mm)
28	HG70924	Charge Pump Kit (.19 STD. Splined)
29	HG51457	Hex Screw, Flanged Head (M10 x 1.50-65mm)
30	HG70402	Charge Relief Kit
31	HG71287	Fan Kit (incl. items 32, 33, 34, 35, 36, 37)
32	HG51348	Hub
33	HG52016	Bracket, Shroud
34	HG52014	Fan
35	HG51348	Washer
36	HG44809	Nut
37	HG52059	Shroud

ELECTRICAL SYSTEM (KOHLER)



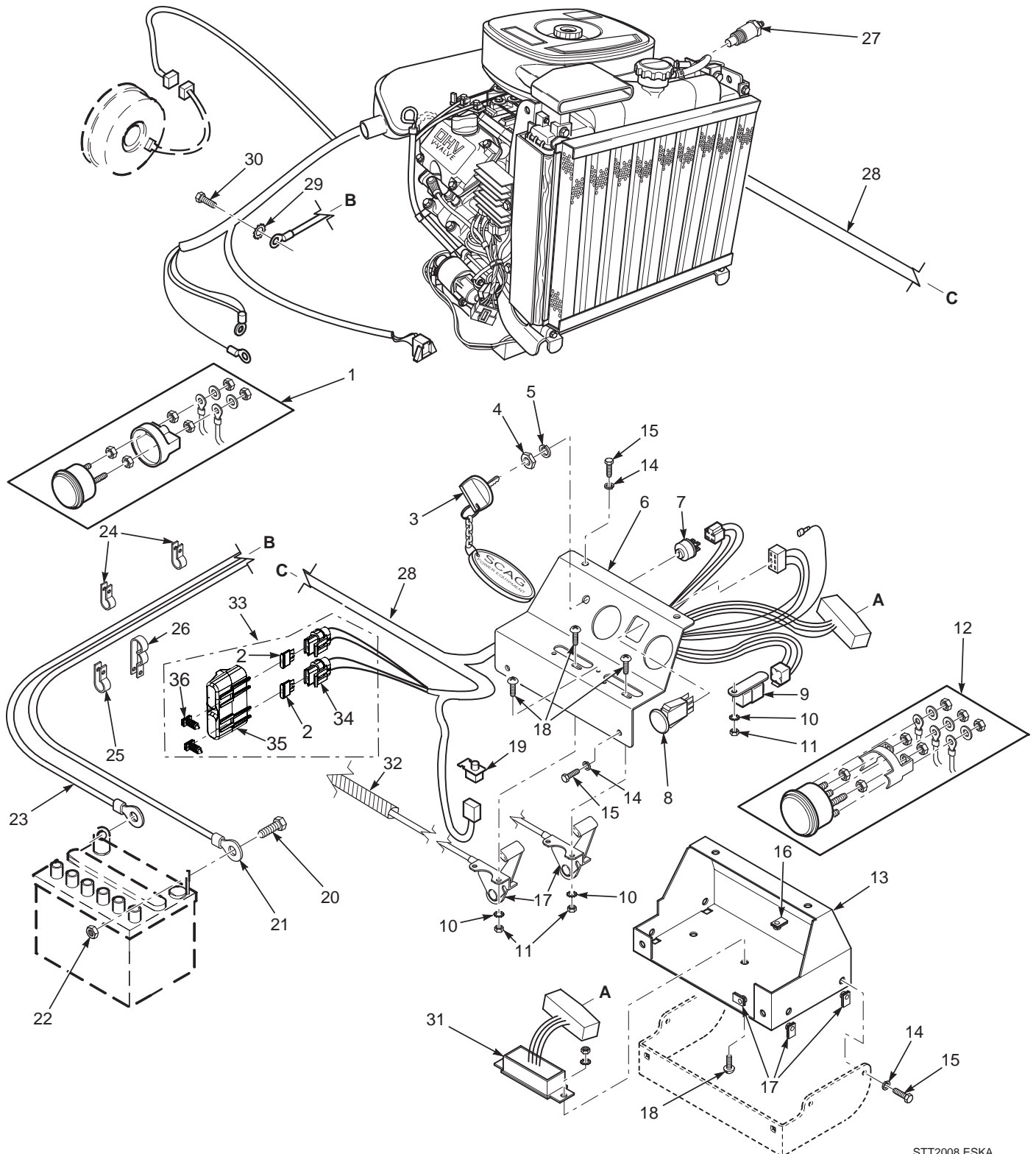
STT 2008 ESKH

ELECTRICAL SYSTEM (KOHLER)

Ref. No.	Part No.	Description
1	483623	Wire Harness, STT Air-Cooled
2	48298	Fuse, 20 AMP
3	483366	Key, Ignition
	462069	Key Assembly w/Fob
4	48017-04	Nut, Hex 5/8-32
5	48017-03	Lockwasher, 5/8" Internal
6	461916	Instrument Panel, Top w/Decals
7	48798	Key Switch
8	483162	Switch, PTO
9	483013	Relay
10	04031-01	Lockwasher, #10 External Tooth
11	04020-01	Nut, Hex #10-32
12	481755	Ammeter
13	451879	Base, Instrument Panel
14	04030-02	Lockwasher, 1/4"
15	04001-01	Bolt, Hex Head 1/4-20 x 3/4"
16	04110-01	U-Nut, 1/4-20
17	481544	Throttle And Choke Controls (Kohler)
	481662	Throttle And Choke Controls (35BVAC Briggs & Stratton)
18	04010-01	Screw, Phillips Washer Head #10-32 x 1/2"
19	481638	Switch, Interlock-Seat
20	04001-44	Bolt, Hex Head 1/4-20 x 1/2"
21	48029-22	Cable, Battery - Red
22	04020-02	Nut, Hex 1/4-20
23	48029-11	Cable, Battery - Black
24	48030-09	Clamp, Cable 1/2" ID.
25	48136-05	Clamp, Cable 3/4" ID.
26	483029	Electronic Module
27	04002-12	Bolt, Hex Head M8-1.25 x 20mm
28	04031-03	Lockwasher, 5/16" External Tooth
29	483642	Double Fuse Assembly, Sealed (Incl. items 2, 42, 43, 44)
30	482588	Clip, Wire
31	483629	Fuse Holder
32	483571	Cover, Sealed Double

** Available through the individual engine manufacturer.

ELECTRICAL SYSTEM - 27HP KAWASAKI, 35BV BRIGGS & STRATTON



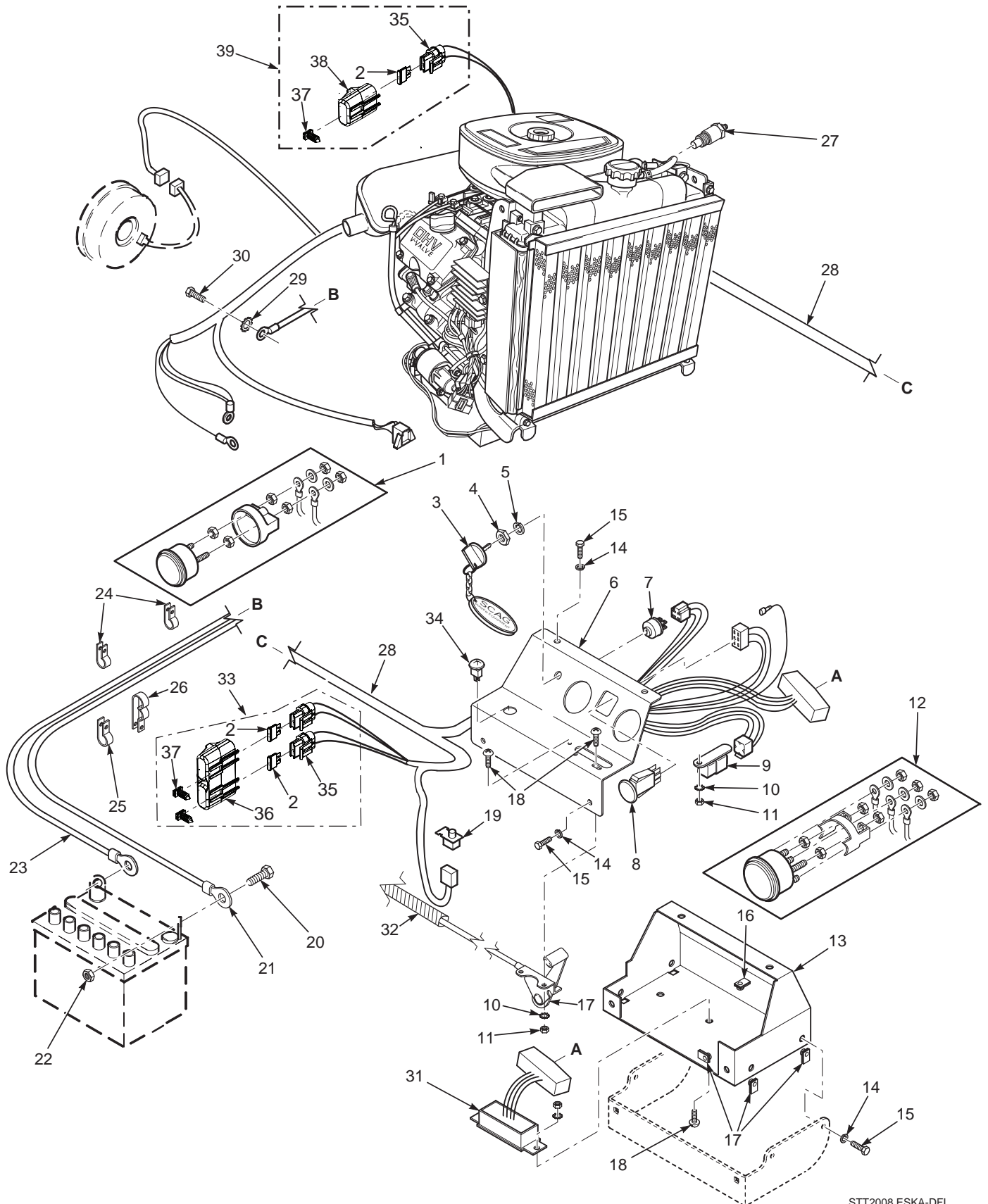
STT2008 ESKA

ELECTRICAL SYSTEM - 27HP KAWASAKI, 35BV BRIGGS & STRATTON

Ref. No.	Part No.	Description
1	481755	Ammeter
2	48298	Fuse, 20 AMP
3	483366	Key, Ignition
	462069	Key Assembly w/Fob
4	48017-04	Nut, Hex 5/8-32
5	48017-03	Lockwasher, 5/8" Internal
6	461916	Instrument Panel, Top w/Decals
7	48798	Key Switch
8	483162	Switch, PTO
9	483013	Relay
10	04031-01	Lockwasher, #10 External Tooth
11	04020-01	Nut, Hex #10-32
12	481183	Water Temp. Gauge
13	451879	Base, Instrument Panel
14	04030-02	Lockwasher, 1/4"
15	04001-01	Bolt, Hex Head 1/4-20 x 3/4"
16	04110-01	U-Nut, 1/4-20
17	481662	Throttle And Choke Controls
18	04010-01	Screw, Phillips Washer Head #10-32 x 1/2"
19	481638	Switch, Interlock-Seat
20	04001-44	Bolt, Hex Head 1/4-20 x 1/2"
21	48029-06	Cable, Battery - Red
	48029-22	Cable, Battery - Red (35BV Only)
22	04020-02	Nut, Hex 1/4-20
23	48029-11	Cable, Battery - Black
24	48030-09	Clamp, Cable 1/2" ID.
25	48136-05	Clamp, Cable 3/4" ID.
26	48030-11	Clamp, Cable
27	481670	Sending Unit, Water Temp.
28	483625	Wire Harness, STT Kawasaki Liquid-Cooled
	483624	Wire Harness, STT Briggs & Stratton Liquid-Cooled
29	04031-03	Lockwasher, 5/16" External Tooth
30	04002-12	Bolt, Hex Head M8-1.25 x 20mm
31	483029	Electronic Module
32	481945-01	Heatshield, Flexible
33	483642	Double Fuse Assembly, Sealed (Incl. items 2, 42, 43, 44)
34	483629	Fuse Holder
35	483571	Cover, Sealed Double
36	482588	Clip, Wire

** Available through the individual engine manufacturer.

ELECTRICAL SYSTEM - 29DFI KAWASAKI



STT2008 ESKA-DFI

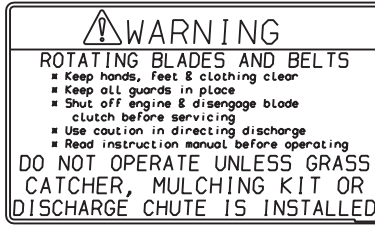
ELECTRICAL SYSTEM - 29DFI KAWASAKI

Ref. No.	Part No.	Description
1	481755	Ammeter
2	48298	Fuse, 20 AMP
3	483366	Key, Ignition
	462069	Key Assembly w/Fob
4	48017-04	Nut, Hex 5/8-32
5	48017-03	Lockwasher, 5/8" Internal
6	461916	Instrument Panel, Top w/Decals
7	48798	Key Switch
8	483162	Switch, PTO
9	48788	Relay
10	04031-01	Lockwasher, #10 External Tooth
11	04020-01	Nut, Hex #10-32
12	481183	Water Temp. Gauge (STT - KA Only)
13	451879	Base, Instrument Panel
14	04030-02	Lockwasher, 1/4"
15	04001-01	Bolt, Hex Head 1/4-20 x 3/4"
16	04110-01	U-Nut, 1/4-20
17	481662	Throttle Controls
18	04010-01	Screw, Phillips Washer Head #10-32 x 1/2"
19	481638	Switch, Interlock-Seat
20	04001-44	Bolt, Hex Head 1/4-20 x 1/2"
21	48029-06	Cable, Battery - Red
22	04020-02	Nut, Hex 1/4-20
23	48029-11	Cable, Battery - Black
24	48030-09	Clamp, Cable 1/2" ID.
25	48136-05	Clamp, Cable 3/4" ID.
26	48030-11	Clamp, Cable
27	481670	Sending Unit, Water Temp.
28	483626	Wire Harness, STT Liquid-Cooled Digital Fuel Injection (DFI)
29	04031-03	Lockwasher, 5/16" External Tooth
30	04002-12	Bolt, Hex Head M8-1.25 x 20mm
31	483029	Electronic Module
32	481945-01	Heatshield, Flexible
33	483642	Double Fuse Assembly, Sealed (Incl. items 2, 42, 43, 44)
34	481182	Indicator Light, Check Engine
35	483629	Fuse Holder
36	483571	Cover, Sealed Double
37	482588	Clip, Wire
38	483643	Cover, Sealed Single
39	483641	Single Fuse Assembly, Sealed (Incl. items 2, 35, 37, 38)

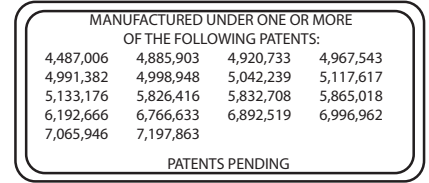
REPLACEMENT DECALS AND INFORMATION PLATES



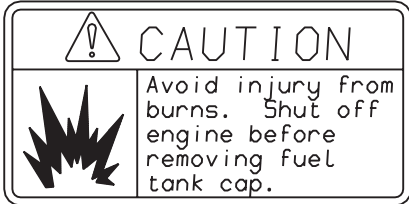
1



2



5



4



3



481568

6



481971

7

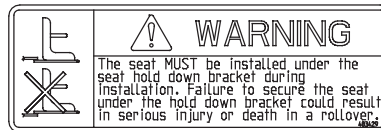


48404

8

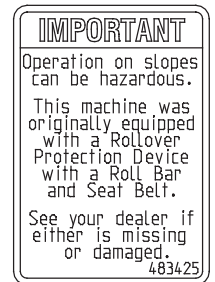


9

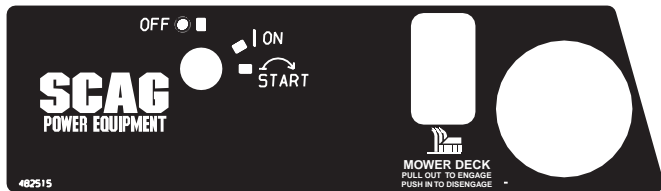


481971

26

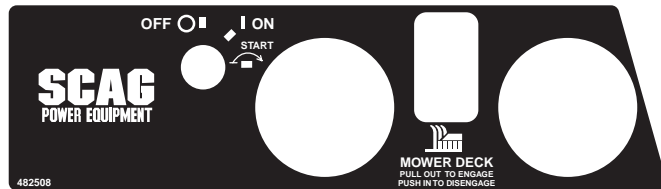


25



482515

10



482508

11



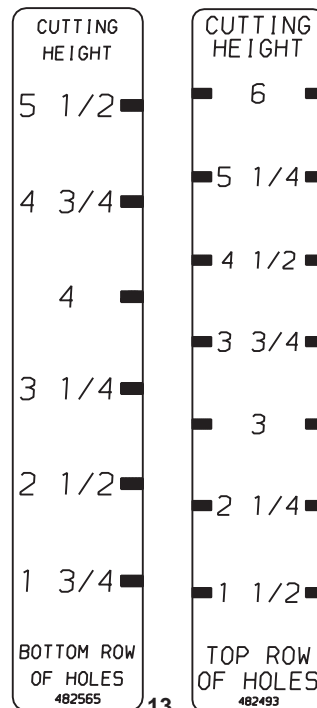
482983

12



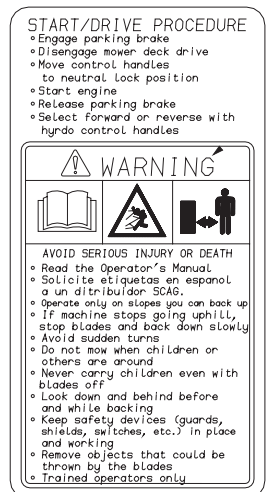
482984

23



13

22

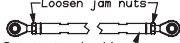


14

REPLACEMENT DECALS AND INFORMATION PLATES

Ref. No.	Part No.	Description
1	483192	Decal, Danger-Spinning Blades
2	483406	Decal, Warning-Rotating Blades
3	483200	Decal, 52 Velocity Plus
	483201	Decal, 61 Velocity Plus
	481956	Decal, 72 Advantage
	483693	Decal, 72 Velocity Plus
4	483397	Decal, Fuel Tank
5	483044	Decal, Patents
6	481568	Decal, Traction Control
7	481971	Decal, Heavy-Duty Commercial
8	48404	Decal, Metalcraft-Made In USA
9	483402	Decal, Belt Cover
10	482515	Decal, Instrument Panel-Upper (Air-Cooled)
11	482508	Decal, Instrument Panel-Upper (Kawasaki)
12	482983	Decal, Instrument Panel-Lower
13	482565	Decal, Cutting Height - Lower
14	483444	Decal, Start/Drive Procedure
15	482710	Decal, Seat Support
16	482577	Decal, Turf Tiger
17	483229	Decal, Turf Tiger
18	481664	Decal, Stripes-RH
19	481663	Decal, Stripes-LH
20	481694	Decal, Tiger
21	483405	Decal, Warning
22	482493	Decal, Cutting Height - Upper
23	482984	Decal, Instrument Panel - Lower (Kawasaki 29DFI only)
24	483158	Decal, ROPS
25	483425	Decal, ROPS
26	483429	Decal, Warning Seat Hold Down
27	483633	Decal, Seat Replacement
**	461982	Spanish Decal Kit, STT (not shown)

IMPORTANT ADJUSTMENT PROCEDURES
 READ OPERATOR'S MANUAL FOR MORE DETAILS
 Check tire pressure - (Drive tires-12 psi, Caster tires-25 psi)

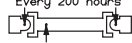
NEUTRAL ADJUSTMENT
 Loosen jam nuts

 Rotate turnbuckle
 With an operator in the seat, engine running, control levers in neutral, and the parking brake disengaged - adjust control linkage. Loosen jam nuts. If wheel rotates forward, adjust turnbuckle CCW. If wheel rotates rearward, adjust turnbuckle CW. Adjust until drive wheel stops turning. Tighten jam nuts. Repeat for opposite side.

TRACKING ADJUSTMENT
 If the machine pulls to the right, adjust LH control linkage CCW to slow left wheel. If the machine pulls to the left, adjust RH control linkage CCW to slow right wheel. Readjust neutral if necessary.

FREE WHEEL OPERATION
 To move machine without running the engine, rotate both dump valves located at the LH side of the pumps CW 1/2 turn to "freewheel" positions. Return dump valves to original position to operate the mower. Tighten to 7-10 ft-lbs.

HYDRAULIC FLUID LEVEL
 Check hydraulic fluid level while fluid is cool. Fluid level should be 3" below top of filler neck. Fill with SAE 20W50 motor oil only.

IMPORTANT
 Do not overfill. Room for hot fluid expansion must be allowed or resulting expansion may cause leaks in the system.

IMPORTANT DRIVESHAFT MAINTENANCE
 Grease yokes 3-4 pumps Every 200 hours

 Grease spline 8-10 pumps Every 50 hours

482710

15



16



17

WARNING
 Replace seal only with Scag approved seat with seat mounting provisions and Scag approved seat belts.
 Failure to follow these directions could result in injury or death in the event of a rollover.

27

WARNING
 DO NOT OPERATE WITHOUT DISCHARGE CHUTE, KIT, OR ENTIRE GRASS CATCHER INSTALLED

21



SCAG

20

SCAG
 THIS MOWER INCLUDES A ROLL OVER PROTECTION SYSTEM THAT MUST BE INSTALLED PRIOR TO MOWER OPERATION.

24

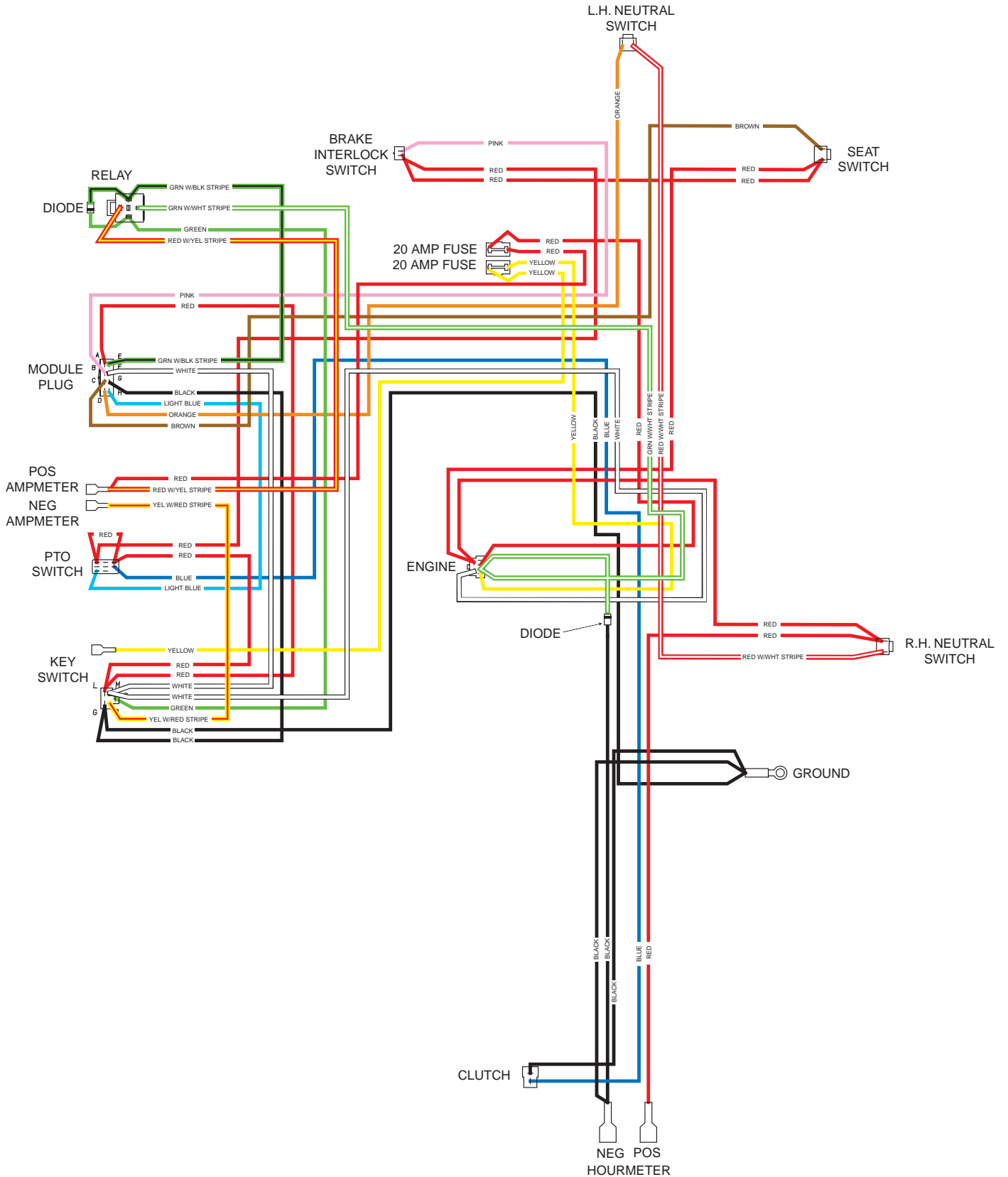


18



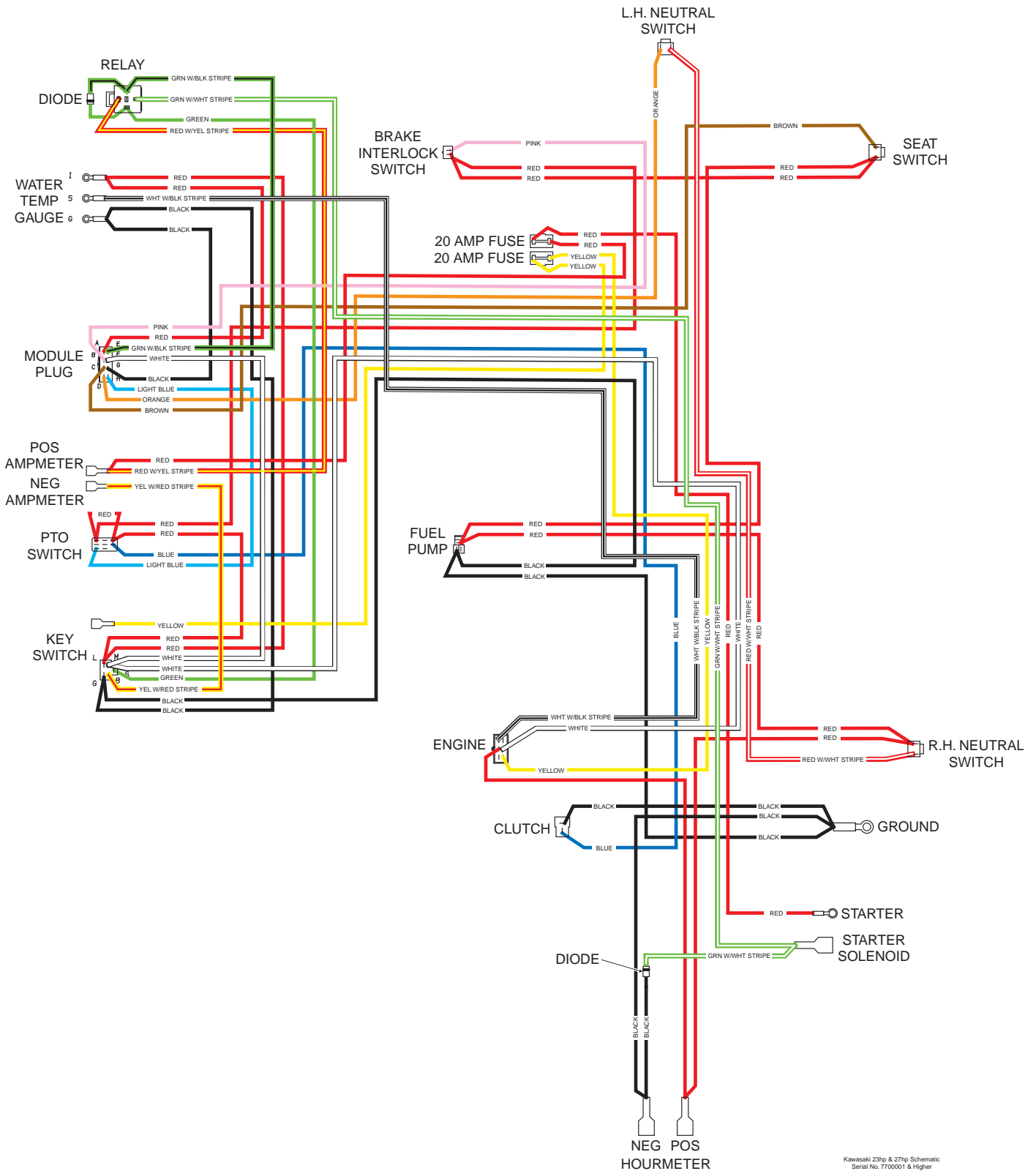
19

STT ELECTRICAL SCHEMATIC (KOHLER)



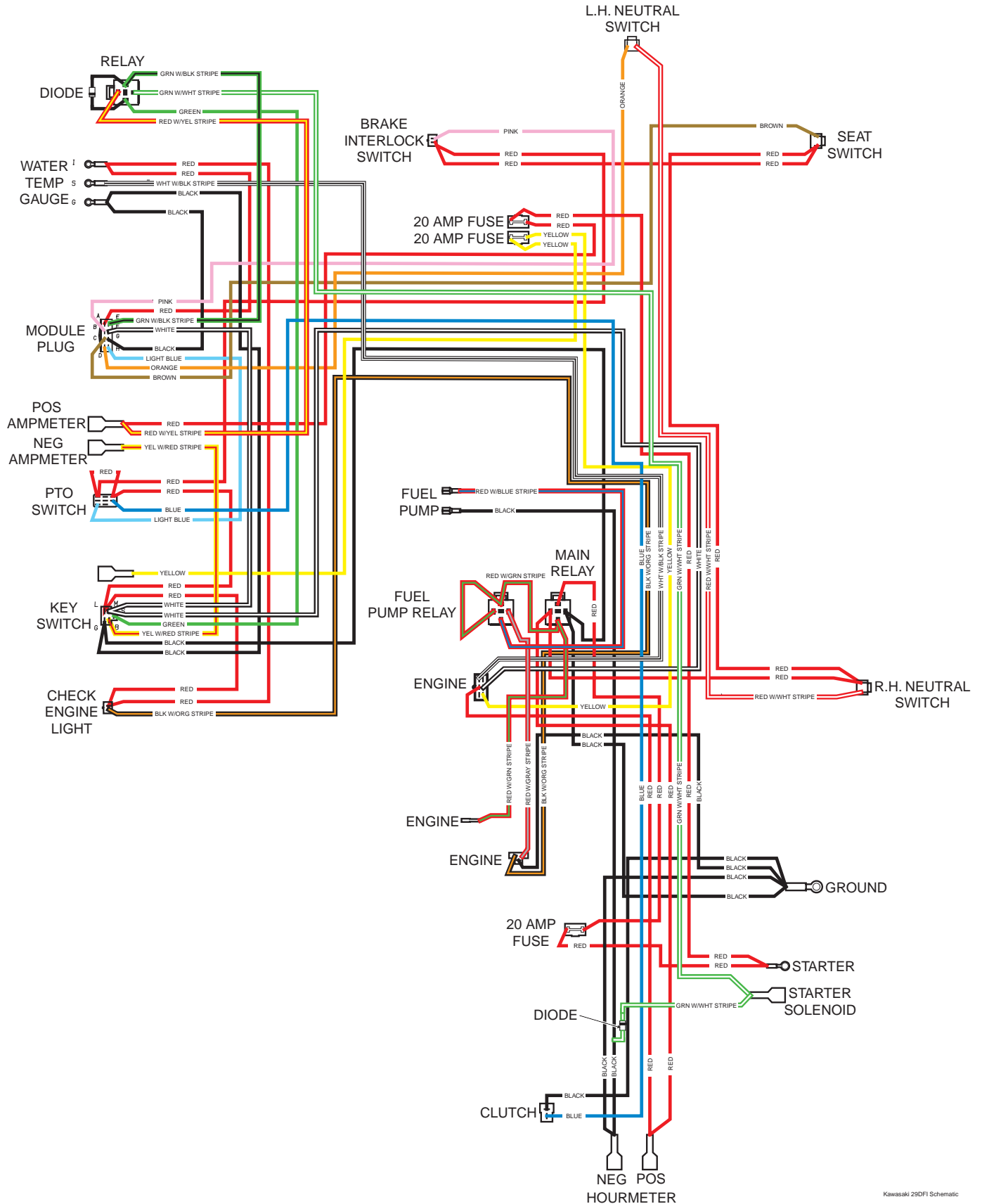
Kohler STT Schematic
Serial No. 7700001 & Higher

STT ELECTRICAL SCHEMATIC (27HP KAWASAKI)

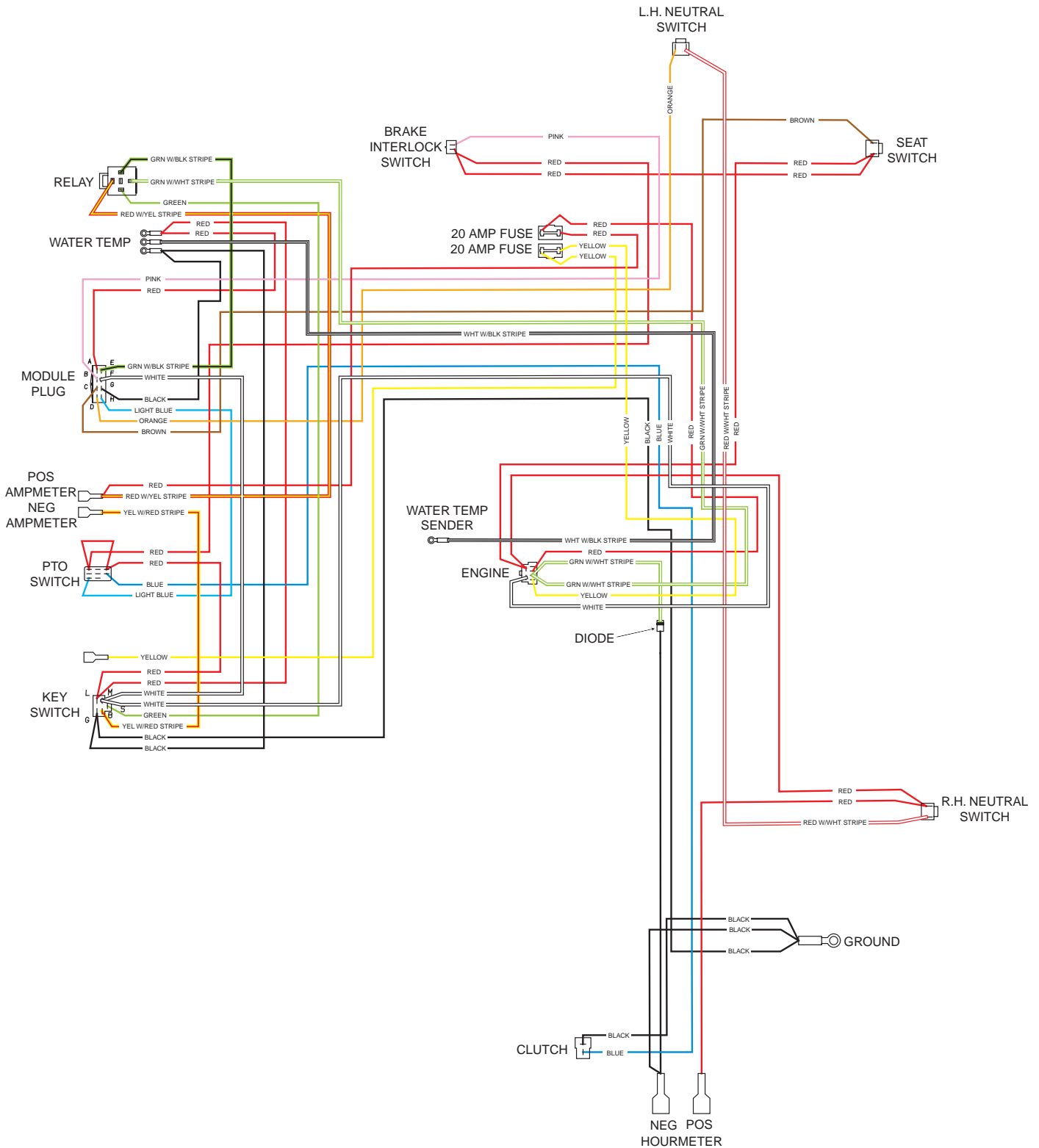


Kawasaki 23hp & 27hp Schematic
Serial No. 7700001 & Higher

ELECTRICAL SCHEMATIC - 29DFI KAWASAKI



ELECTRICAL SCHEMATIC (BRIGGS & STRATTON 35BV)



NOTES

LIMITED WARRANTY - COMMERCIAL EQUIPMENT

Any part of the Scag commercial mower manufactured by Scag Power Equipment and found, in the reasonable judgment of Scag, to be defective in materials or workmanship, will be repaired or replaced by an Authorized Scag Service Dealer without charge for parts and labor during the periods specified below. This warranty is limited to the original purchaser and is not transferable. Proof of purchase will be required by the dealer to substantiate any warranty claims. All warranty work must be performed by an Authorized Scag Service Dealer.

This warranty is limited to the following specified periods from the date of the original retail purchase for defects in materials or workmanship:

- Wear items including drive belts, blades, hydraulic hoses and tires are warranted for ninety (90) days.
- Batteries are covered for ninety (90) days.
- Frame and structural components including oil reservoir and oil coolers are warranted for 2 years (Parts and labor).
- Cutter decks are warranted against cracking for a period of three (3) years. (Parts and labor 1st and 2nd year; Parts only 3rd year.) The repair or replacement of the cutter deck will be at the option of Scag Power Equipment. We reserve the right to request components for evaluation. This warranty does not cover any mower that has been subject to misuse, neglect, negligence, or accident, or that has been operated in any way contrary to the operating instructions as specified in the Operator's Manual.
- Engines and electric starters are covered by the engine manufacturer's warranty period.
- Major drive system components are warranted for two (2) years by Scag Power Equipment. (Parts and labor) (Two year warranty exclude fittings, hoses, drive belts). The repair or replacement of the hydraulic pump or hydraulic motor will be at the option of Scag Power Equipment. This warranty does not cover any mower that has been subject to misuse, neglect, negligence, or accident, or that has been operated in any way contrary to the operating instructions as specified in the Operator's Manual.
- Electric clutches have a Limited Warranty for 2 year (Parts and labor).
- Spindle assemblies have a Limited Warranty for three years (Parts and labor 1st year and 2nd; Parts only 3rd year).
- Any Scag product used for rental purposes is covered by a 90 day warranty.

The Scag mower, including any defective part must be returned to an Authorized Scag Service Dealer within the warranty period. The expense of delivering the mower to the dealer for warranty work and the expense of returning it to the owner after repair will be paid for by the owner. Scag's responsibility is limited to making the required repairs and no claim of breach of warranty shall be cause for cancellation or rescission of the contract of sale of any Scag mower.

This warranty does not cover any mower that has been subject to misuse, neglect, negligence, or accident, or that has been operated in any way contrary to the operating instructions as specified in the Operator's Manual.

The warranty does not apply to any damage to the mower that is the result of improper maintenance, or to any mower or parts that have not been assembled or installed as specified in the Operator's Manual and Assembly Manual. The warranty does not cover any mower that has been altered or modified, changing performance or durability. In addition, the warranty does not extend to repairs made necessary by normal wear, or by the use of parts or accessories which, in the reasonable judgment of Scag, are either incompatible with the Scag mower or adversely affect its operation, performance or durability.

Scag Power Equipment reserves the right to change or improve the design of any mower without assuming any obligation to modify any mower previously manufactured. All other implied warranties are limited in duration to the two (2) year warranty period or ninety (90) days for mowers used for rental purpose. Accordingly, any such implied warranties including merchantability, fitness for a particular purpose, or otherwise, are disclaimed in their entirety after the expiration of the appropriate two year or ninety day warranty period. Scag's obligation under this warranty is strictly and exclusively limited to the repair or replacement of defective parts and Scag does not assume or authorize anyone to assume for them any other obligation. Some states do not allow limitations on how long an implied warranty lasts, so the above limitation may not apply to you.

Scag assumes no responsibility for incidental, consequential or other damages including, but not limited to, expense for gasoline, expense of delivering the mower to an Authorized Scag Service Dealer and expense of returning it to the owner, mechanic's travel time, telephone or telegram charges, rental of a like product during the time warranty repairs are being performed, travel, loss or damage to personal property, loss of revenue, loss of use of the mower, loss of time or inconvenience. Some states do not allow the exclusion or limitation of incidental or consequential damages, so the above limitation or exclusion may not apply to you. This warranty gives you specific legal rights, and you may also have other rights which vary from state to state.

GARANTÍA LIMITADA - EQUIPO COMERCIAL

Toda pieza del cortacésped comercial Scag fabricada por Scag Power Equipment que, según criterio razonable de Scag, presente materiales o mano de obra defectuosos será reparada o reemplazada por un distribuidor autorizado Scag sin cargo por las piezas ni mano de obra durante los períodos especificados abajo. Esta garantía se limita al comprador original y no es transferible. Para acceder a cualquier reclamo de garantía, el distribuidor requerirá el comprobante de compra. Todo trabajo bajo garantía debe realizarlo un distribuidor autorizado Scag.

Con respecto a materiales o mano de obra defectuosos, esta garantía se limita a los siguientes períodos especificados a partir de la fecha de compra original:

- * Los artículos desgastables, incluyendo correas de transmisión, cuchillas, mangueras hidráulicas y llantas, están garantizados por noventa (90) días.
- * Las baterías están garantizadas por noventa (90) días.
- * El bastidor y los componentes estructurales, incluyendo el depósito de aceite y los enfriadores de aceite, tienen una garantía de 2 años (Piezas y mano de obra).
- * Las plataformas de corte están garantizadas contra grietas por un período de tres (3) años. (Piezas y mano de obra, primer y segundo año; piezas solamente, tercer año). La reparación o el reemplazo de la plataforma de corte estarán sujetos a discreción de Scag Power Equipment. Nos reservamos el derecho de solicitar componentes para su evaluación. Esta garantía no cubre ningún cortacésped que haya sido sometido a uso indebido, descuido, negligencia o accidente, o que se haya operado de manera distinta a la especificada en el manual del operador.
- * Los motores eléctricos y los arrancadores están cubiertos por el período de garantía del fabricante de motor.
- * Los componentes principales del sistema de transmisión están garantizados por Scag Power Equipment por dos (2) años. (Piezas y mano de obra) (La garantía de dos años no incluye las conexiones, mangueras, las correas de transmisión). La reparación o el reemplazo de la bomba hidráulica o el motor hidráulico estarán sujetos a discreción de Scag Power Equipment. Esta garantía no cubre ningún cortacésped que haya sido sometido a uso indebido, descuido, negligencia o accidente, o que se haya operado de manera distinta a la especificada en el manual del operador.
- * Los embragues eléctricos tienen una Garantía limitada de 2 años (Piezas y mano de obra).
- * Los ensambles del eje tienen una Garantía limitada de 3 años (Piezas y mano de obra, primer y segundo año; piezas solamente, tercer año).
- * Cualquier producto Scag que se utilice para alquiler está cubierto por una garantía de 90 días.

El cortacésped Scag, incluida cualquier pieza defectuosa, debe ser llevado a un distribuidor autorizado de Scag dentro del período de garantía. Los gastos incurridos en la entrega del cortacésped al distribuidor para que se realice el trabajo bajo garantía, así como los gastos de devolución del cortacésped al propietario después de la reparación, estarán a cargo del propietario. La responsabilidad de Scag se limita a la realización de las reparaciones requeridas y ninguna reclamación por incumplimiento de las obligaciones de garantía será causa de cancelación o revocación del contrato de venta del cortacésped Scag.

Esta garantía no cubre ningún cortacésped que haya sido sometido a uso indebido, descuido, negligencia o accidente, o que se haya operado de manera distinta a la especificada en el manual del operador. La garantía no será de aplicación en ningún caso de daño ocasionado al cortacésped como consecuencia de mantenimiento inadecuado o a cualquier cortacésped o piezas que no se hayan ensamblado o instalado de acuerdo con las especificaciones del manual del operador o el manual de montaje. La garantía no cubre ningún cortacésped que haya sufrido alteraciones o modificaciones que hayan afectado su funcionamiento o durabilidad. Asimismo, la garantía no se extiende a reparaciones necesarias por el desgaste normal o por el uso de piezas o accesorios que, según criterio razonable de Scag, sean incompatibles con el cortacésped Scag o afecten la operación, funcionamiento o durabilidad de éste.

Scag Power Equipment se reserva el derecho de modificar o mejorar el diseño de cualquier cortacésped sin tener por ello obligación alguna de modificar cualquier cortacésped fabricado con anterioridad. Cualquier otra garantía implícita se limita a un período de garantía de dos (2) años o noventa (90) días en el caso de cortacéspedes destinados a alquiler. Por consiguiente, se rechaza en su totalidad cualquier garantía implícita, incluidas las garantías de comerciabilidad, adecuación para un fin determinado, o de otro tipo, después de la finalización del correspondiente período de garantía de dos años o noventa días. La obligación de Scag en virtud de la presente garantía se limita estricta y exclusivamente a la reparación o el reemplazo de piezas defectuosas, y Scag no asume ni autoriza a ningún otro a asumir en su lugar ninguna otra obligación. La limitación antes mencionada no será de aplicación en aquellos estados en los que no esté permitida la limitación del período de validez de una garantía implícita.

Scag no asume responsabilidad alguna por daños incidentales, consecuentes ni de cualquier otro tipo, incluyendo, pero sin limitarse a, gasto de gasolina, gasto de entrega del cortacésped a un distribuidor autorizado Scag y gasto de su devolución al propietario, tiempo de viaje del mecánico, cargos por comunicaciones telefónicas o telegramas, alquiler de un producto similar durante el período en que se llevan a cabo las reparaciones bajo garantía, viajes, pérdida o daño de bienes personales, lucro cesante, daños ocasionados por la pérdida del uso del cortacésped, daños por la pérdida de tiempo o cualquier otro inconveniente. La limitación o exclusión antes mencionada no será de aplicación en aquellos estados en los que no esté permitida la exclusión o limitación de daños incidentales o consecuentes. La presente garantía le otorga derechos legales específicos, aparte de los derechos de los que usted goza, según el estado.

7.13 CUERPO, PLATAFORMA Y TAPICERÍA

CAUTION:

No lave ninguna parte del equipo mientras está caliente. No lave el motor; use aire comprimido.

1. Después que cada uso, lave el cortacésped y la plataforma de corte. Use agua fría y limpiadores automotrices. No use limpiadores a presión.
2. No rocíe los componentes eléctricos.
3. Use una solución suave de jabón o un limpiador de vinilo/caucho para limpiar el asiento.
4. Repare las superficies de metal dañadas con la pintura de retoque Scag (N/P 48521) disponible en su distribuidor autorizado Scag. Encere el cortacésped con una cera automotriz para una máxima protección de la pintura.

A. Verificación del nivel del refrigerante

El nivel del refrigerante debe revisarse antes de cada día de operación.

1. Retire la tapa del radiador girándola lentamente en contra del sentido del reloj hasta la primera parada y permita que se libere cualquier presión. Presione la tapa hacia abajo y gírela contra el sentido del reloj para retirarla.

2. Revise visualmente el nivel del refrigerante. El nivel de refrigerante debe llegar hasta el fondo del orificio de relleno, como se muestra en la Figura 7-10.

-NOTA-

Consulte las instrucciones del fabricante para saber la relación adecuada de la mezcla del refrigerante.

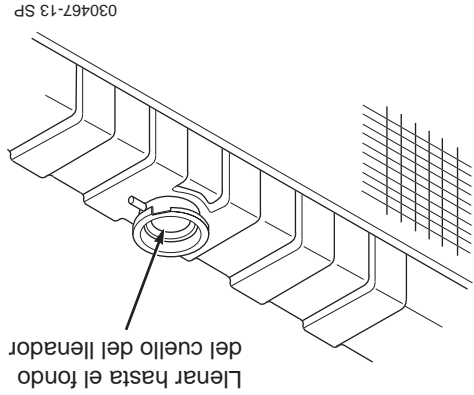


Figura 7-10 Nivel del refrigerante

3. Coloque la tapa del radiador. Presione la tapa hacia abajo y gírela en el sentido del reloj hasta que se detenga.

-NOTA-

El sistema refrigeración debe ser purgado y el refrigerante debe ser reemplazado cada 500 horas de operación o cada año. Consulte con su distribuidor Scag para información sobre el adecuado reemplazo del refrigerante.

B. Limpieza de la criba de desechos del radiador

Después de cada día de operación, retire y limpie la criba de desechos del radiador.

Para evitar daños personales, siempre use gafas de seguridad al usar aire comprimido.



1. Tire de la criba de desechos para retirarla.
2. Limpie la criba de desechos con aire comprimido o con una manguera de agua.

-NOTA-

Revise si el radiador tiene demasiados desechos y límpielo con aire comprimido. Jamás rocíe un motor caliente con agua; sólo use aire comprimido para retirar los desechos.

3. Reinstale la criba de desechos en el radiador.

C. Verificación de la tensión de la correa del ventilador (motores enfriados por líquido solamente)

Revise periódicamente la tensión de la correa del ventilador. La correa debe desviarse 1/2" con 10 libras de presión. Consulte con su distribuidor Scag si requiere ajustar o reemplazar la correa.

5. Instale el espaciador en el perno de la cuchilla e introduzca el perno en el eje de corte.

6. Instale la tuerca hexagonal en el perno de la cuchilla en la parte superior del eje de corte. Evite el giro de las cuchillas con un apriete de 75 lbs-pie. (Vea la Figura 7-8).

7.10 LLANTAS

Verifique las presiones de las llantas después de cada 8 horas de operación o diariamente.

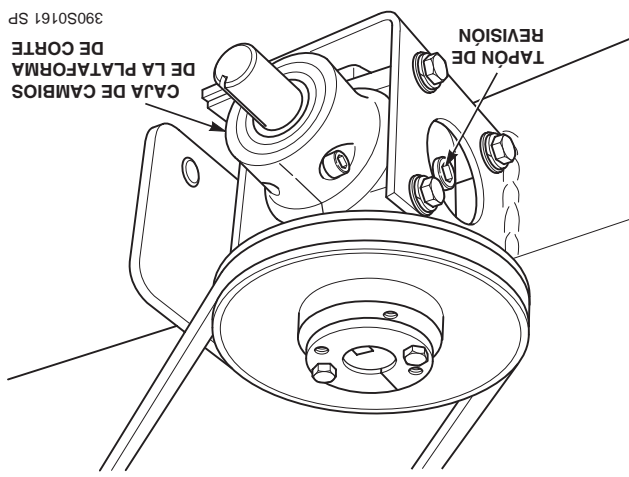
- Ruedas locas
- Llantas macizas 12 PSI
- Ruedas motrices

7.11 CAJA DE CAMBIOS DE LA PLATAFORMA DE CORTE

A. Verificación del nivel de lubricante

PRECAUCIÓN: La caja de cambios de la plataforma de corte puede alcanzar altas temperaturas de operación. Permita que la caja de cambios de la plataforma de corte se enfríe antes de darle servicio.

Figura 7-9 Caja de cambios de la plataforma de corte



El nivel de fluido en la caja de cambios de la plataforma de corte (Figura 7-9) debe revisarse cada 100 horas de operación o cada dos semanas, lo que ocurra primero.

1. Baje la plataforma de corte a su posición más baja para obtener acceso a la caja de cambios de la plataforma de corte.

2. Limpie y retire el tapón de revisión del lado de la caja de cambios (vea la Figura 7-9). Inspeccione visualmente que el nivel del lubricante llegue al borde inferior del agujero del tapón de revisión. Si el lubricante tiene bajo nivel, agregue lubricante SAE 80W90 a través del agujero del tapón de revisión en la caja de cambios hasta que esté a nivel con la parte inferior del agujero del tapón de revisión. Coloque el tapón de revisión y apriete firmemente.

B. Cambio de lubricante

Se debe cambiar el lubricante de la caja de cambios de la plataforma de corte luego de 500 horas de operación o anualmente, lo que ocurra primero.

1. Coloque un recipiente adecuado debajo de la caja de cambios de la plataforma de corte y ubique el tapón de drenaje de la caja de cambios.

2. Retire el tapón, drene el lubricante en el recipiente y deséchelo adecuadamente.

3. Coloque el tapón y agregue lubricante SAE 80W90 a través del agujero del tapón de revisión en la caja de cambios hasta que esté a nivel con la parte inferior del agujero del tapón de revisión. Coloque el tapón de revisión y apriete firmemente.

7.12 SISTEMA DE REFRIGERACION

ADVERTENCIA:

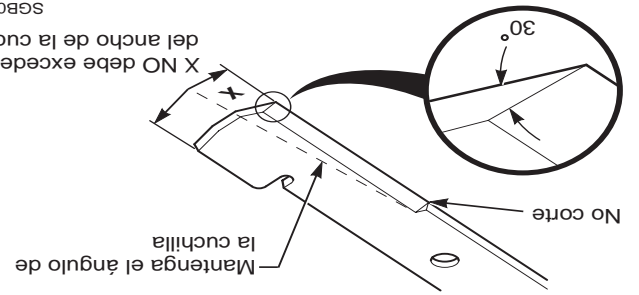
Para evitar quemaduras, siempre permita que el motor se enfríe antes de retirar la tapa del radiador.

B. Afilado de las cuchillas

-NOTA- Si es posible, use una lima para afilar la cuchilla. Si usa una esmerilladora, puede quemar la cuchilla.

-NOTA- NO afile las cuchillas más de 1/3 del ancho de la cuchilla.

1. Afíle el borde de corte en el mismo bisel que el original. Vea la Figura 7-7. Sólo afíle la parte superior del borde de corte para mantener el filo.



SGB033 SP
X NO debe exceder 1/3 del ancho de la cuchilla

2. Revise el balance de la cuchilla. Si las cuchillas están desbalanceadas, puede producirse vibración y desgaste prematuro. Consulte con su distribuidor autorizado Scag para balancear la cuchilla o por herramientas especiales si prefiere balancear sus cuchillas usted mismo.

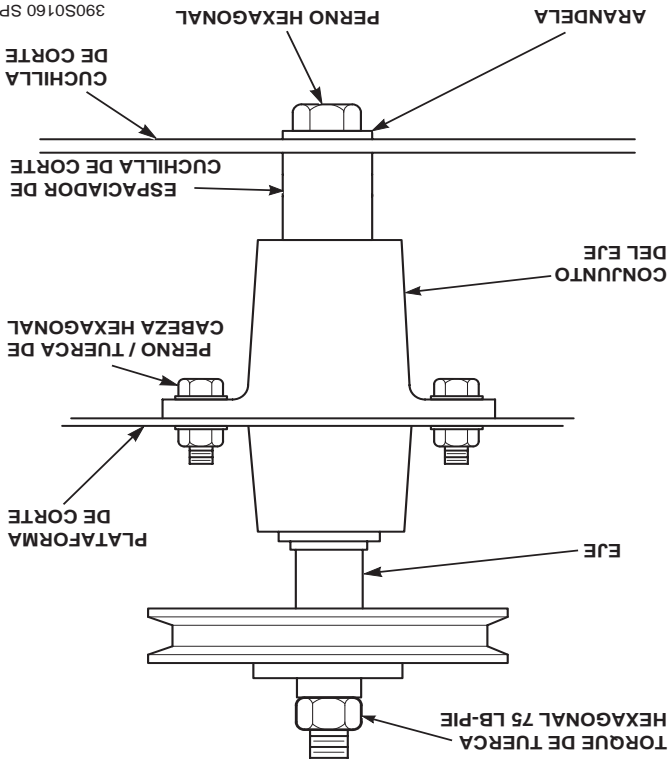
C. Reemplazo de la cuchilla

ADVERTENCIA: Siempre lleve la protección apropiada para manos y ojos al trabajar con cuchillas de corte.

1. Quite la llave de encendido antes de dar servicio a las cuchillas.

2. Levante la plataforma del cortacésped a la posición más alta. Coloque el pin de amarre en la posición más alta de altura de corte para evitar que caiga la plataforma.

Figura 7-8 Reemplazo de la cuchilla



-NOTA- Asegúrese de que la cuchilla se instale con la aleta de izamiento hacia la parte superior de la plataforma.

4. Para instalar la nueva cuchilla de corte, coloque la arandela plana en el perno de la cuchilla y deslice el perno en el agujero de la cuchilla.

-NOTA- Para quitar el perno de la cuchilla del eje de corte se tendrá que levantar ligeramente la parte frontal de la máquina.

3. Asegure las cuchillas de corte para evitar que giren, (use la herramienta opcional Blade Buddy, N/P 9212, para ayudarlo a asegurar las cuchillas de corte) y quite la tuerca del perno de fijación de la cuchilla. Quite la cuchilla de corte, el perno y el espaciador del eje. (Figura 7-8).


Carga de la batería

Consulte el manual del cargador de batería para instrucciones específicas.

Bajo condiciones normales el alternador del motor no tendrá problemas para mantener la carga de la batería. Si la batería se ha descargado completamente por un período largo de tiempo, el alternador puede no ser capaz de recargar la batería, y se necesitará un cargador de baterías.

NO cargue una batería congelada. Puede estallar y causar lesiones. Permita que la batería se entibie antes de conectar un cargador.

Siempre que sea posible, quite la batería del cortacésped antes de cargarla y asegúrese de que el electrolito cubre las placas en todas las celdas.

ADVERTENCIA:  **EXPLOSIVOS. Cargue la batería en un espacio bien ventilado de modo que se puede disipar los gases producidos durante la carga.**

Las tasas de carga entre 3 y 50 amperios son satisfactorias si no provocan excesivos gases, si no arrojan demasiado electrolito o si la batería no está muy caliente (encima de 125° F). Si se produce derrame de electrolito o excesiva producción de gas, o si la temperatura excede 52°C (125°F), la tasa de carga debe reducirse o detenerse temporalmente para permitir el enfriamiento.

C. Arranque por puente

1. La batería auxiliar de arranque debe ser de 12 voltios. Si se usa un vehículo para el arranque por puente, debe tener un sistema de tierra negativo.

2. Cuando conecte los cables del puente, conecte el cable positivo al poste positivo de la batería y luego el cable negativo al poste negativo de la batería.

7.8 CORREAS DE TRANSMISIÓN


Todas las correas de transmisión están cargadas por resortes y son auto tensionantes, pero después de las primeras 2, 4, 8 y 10 horas de operación, debe verificarse su correcta alineación y revisar su desgaste. Después, verifique las correas después de cada 40 horas de operación o semanalmente, lo que ocurra primero.

7.9 CUCHILLAS DE CORTE


A. Inspección de la cuchilla

1. Quite la llave de encendido antes de dar servicio a las cuchillas.

2. Levante la plataforma del cortacésped a la posición más alta. Coloque el pin de amarre en la posición más alta de altura de corte para evitar que caiga la plataforma.

ADVERTENCIA:  **Siempre lleve la protección apropiada para manos y ojos al trabajar con cuchillas de corte.**

3. Verifique que las cuchillas de corte estén rectas. Si las cuchillas de corte parecen estar dobladas, tendrán que ser reemplazadas.

ADVERTENCIA:  **No trate de enderezar una cuchilla doblada y nunca suelde una cuchilla rota o rajada. Siempre reemplácela con una cuchilla Scag original para garantizar seguridad.**

4. Si el borde de corte de una cuchilla está desafilado o tiene muescas, debe afilarse. Quite las cuchillas para afilarlas. Vea "Reemplazo de la cuchilla".

-NOTA-

Mantenga afiladas las cuchillas. Cortar con cuchillas desafiladas no sólo produce un mal corte de césped, sino que disminuye la velocidad de corte del cortacésped y causa un desgaste adicional del motor y del eje de la cuchilla.

B. Reemplazo de los elementos del filtro de combustible en línea

Se debe reemplazar el filtro de combustible en línea (Figura 7-6) después de cada 500 horas de operación o anualmente, lo que ocurra primero.

1. Cierre la válvula de corte. Quite las dos abrazaderas que aseguran el filtro de combustible a la manguera de combustible. Retire el filtro de combustible.

2. Instale un nuevo filtro de combustible. Asegúrese de que esté instalado en la dirección correcta. Asegure la manguera de combustible con las dos abrazaderas.

7.6 FILTRO DE AIRE DEL MOTOR

A. Limpieza y/o reemplazo del elemento del filtro de aire

Para cualquier filtro de aire, el ambiente de operación determina los períodos de servicio del filtro de aire. Inspeccione y limpie el filtro de aire después de cada 100 horas de operación o cada mes, lo que ocurra primero, y reemplace el elemento si es necesario. Vea el manual del propietario del motor para saber el octanaje apropiado.

En condiciones de mucho polvo, puede ser necesario verificar el elemento una o dos veces al día para prevenir daños al motor.

1. Desenganche las abrazaderas que aseguran la cubierta del filtro de aire a la cámara del filtro de aire. Quite la cubierta del filtro de aire y déjela a un costado.

2. Quite el filtro de aire e inspecciónelo.

3. Limpie o reemplace el filtro de aire como recomienda el fabricante del motor.

-NOTA-

7.7 BATERÍA

ADVERTENCIA:

Las baterías plomo-ácido producen gases inflamables y explosivos. Para evitar lesiones personales al revisar, probar o cargar baterías, NO USE materiales que produzcan humo cerca de las baterías. Mantenga los arcos, las chispas y las llamas lejos de las baterías. Proporcione ventilación apropiada y use gafas de seguridad.

ADVERTENCIA:

El líquido de la batería contiene ácido sulfúrico que es TÓXICO y puede causar GRAVES QUEMADURAS QUÍMICAS. Evite el contacto del líquido con los ojos, la piel, o con la ropa. Use equipo de protección apropiado cuando manipule baterías. NO INCLINE ninguna batería más de 45° en ninguna dirección. Si ocurre contacto con el líquido, siga primero las sugerencias de primeros auxilios.

PRIMEROS AUXILIOS PARA ELECTROLITO DE BATERÍA

CONTACTO EXTERNO — Enjuague con agua.

OJOS — Enjuague con agua al menos durante 15 minutos y obtenga atención médica inmediatamente.

INTERNO — Beba grandes cantidades de agua. Continúe con leche de magnesia, huevos batidos, o aceite vegetal. Obtenga atención médica inmediatamente. En caso de contacto interno, NO proporcione líquidos que induzcan al vómito.

7.5 SISTEMA DE COMBUSTIBLE DEL MOTOR

PRECAUCIÓN:

Para evitar quemaduras, permita que el cortacésped se enfríe antes de quitar la tapa del tanque de combustible y rellenar.

A. Llenado del tanque de combustible

Llene el tanque de combustible al inicio de cada día de operación hasta 1 pulgada debajo del cuello del rellenador. No llene demasiado. Use gasolina limpia, libre de plomo con un octanaje mínimo de 87 y un máximo de 10% de Etanol.

NO use combustible E85. El uso del combustible E85 dañará severamente el motor.

Para evitar lesiones personales o daños a la propiedad, tenga mucho cuidado al manipular gasolina. La gasolina es extremadamente inflamable y los vapores son explosivos.

1. Apague todos los cigarrillos, puros, pipas y otras fuentes de ignición.

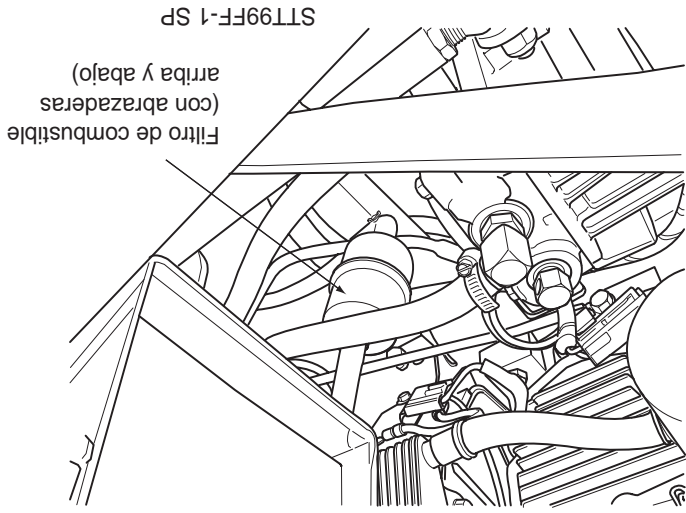
2. Use solamente un recipiente aprobado para gasolina.

3. Nunca retire la tapa de la gasolina ni agregue combustible con el motor en funcionamiento. Permita que el motor se enfríe antes de abastecerlo de combustible.

4. Nunca abastezca de combustible al cortacésped bajo techo ni en un remolque cerrado.

5. Nunca almacene el cortacésped o el recipiente de combustible donde haya una llama abierta, chispa o luz piloto, como de un calentador de agua u otros aparatos.

Figura 7-6 Filtro de combustible



10. Coloque nuevamente la tapa de gasolina y apriete firmemente.

9. Si derrama combustible en la ropa, cámbiesela inmediatamente.

8. Mantenga la boquilla en contacto con el borde del tanque de combustible o con la abertura del recipiente hasta terminar de llenar el combustible. No utilice un dispositivo que bloquee la boquilla en posición abierta.

7. Retire la máquina del camión o del remolque y abastézcala de combustible en el terreno. Si esto no es posible, añada el combustible con un recipiente portátil en lugar de usar una boquilla de un dispensador de gasolina.

6. Nunca llene recipientes dentro de un vehículo ni en un camión o remolque que tenga forro de material plástico. Siempre coloque los recipientes en el terreno lejos de su vehículo antes de abastecerlos de combustible.

A. Verificación del nivel de aceite del cárter

El nivel del aceite del motor se debe verificar después de cada 8 horas de operación o diariamente como se indica en el manual del operador del motor proporcionado con este cortacésped.

B. Cambio de aceite del cárter

Después de las 5 primeras horas de operación, cambie el aceite del cárter y reemplace el filtro de aceite. Después, cambie el aceite después de cada 100 horas de operación o mensualmente, lo que ocurra primero. Consulte el manual del operador del motor proporcionado con este cortacésped para instrucciones.

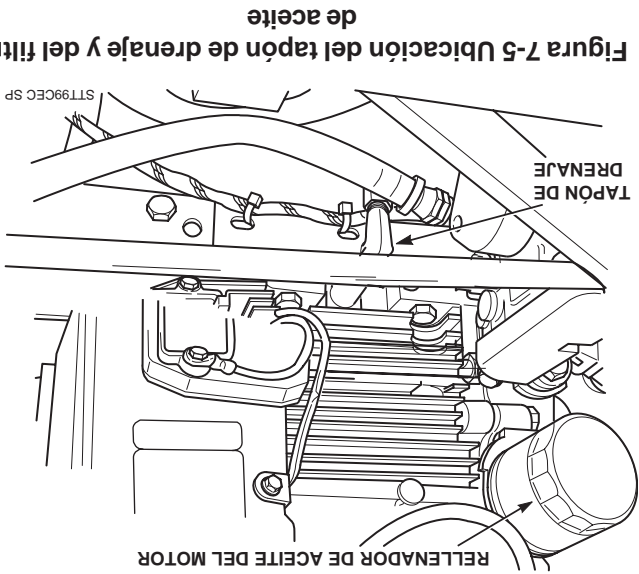


Figura 7-5 Ubicación del tapón de drenaje y del filtro de aceite

C. Cambio de filtro de aceite del motor

Después de las primeras 20 horas de operación, reemplace el filtro de aceite del motor. Después, reemplace el filtro de aceite cada 200 horas de operación o cada mes, lo que ocurra primero. Consulte el manual del operador del motor para instrucciones.

C. Cambio del elemento del filtro de aceite hidráulico

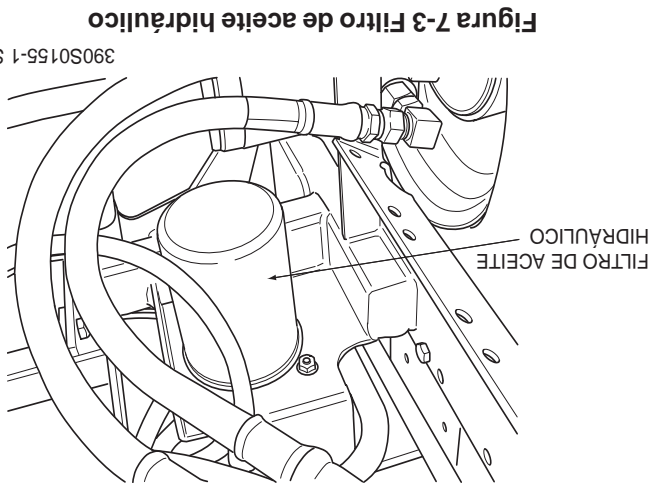


Figura 7-3 Filtro de aceite hidráulico

El filtro de aceite se debe cambiar después de cada 500 horas de operación o anualmente, lo que ocurra primero.

1. Quite el elemento del filtro de aceite (Figura 7-3) y deséchelo adecuadamente. Llene el nuevo filtro con aceite limpio de motor e instálelo. Apriételo a mano solamente.

2. Opere el motor a la velocidad de vacío con la palanca de control de velocidad en neutro durante cinco minutos.

3. Verifique el nivel de aceite en el tanque hidráulico. Debe estar a 3" pulgadas desde la parte superior del cuello del rellenador. Si es necesario, agregue aceite para motor SAE 20W50.

7.4 ACEITE DEL MOTOR

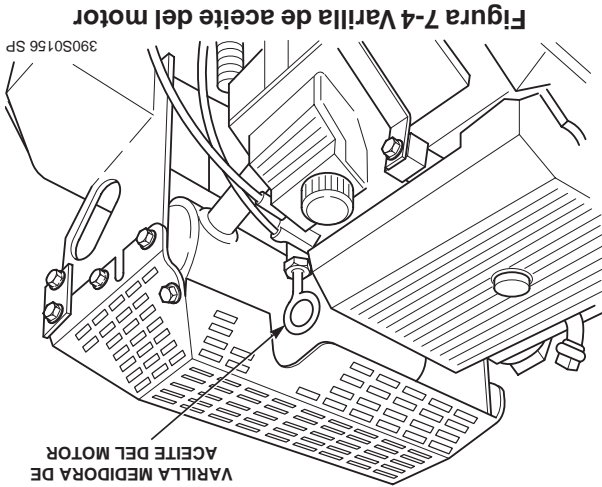


Figura 7-4 Varilla de aceite del motor

7.3 SISTEMA HIDRÁULICO

A. Verificación del nivel de aceite hidráulico

El nivel del aceite hidráulico se debe verificar después de las primeras 10 horas de operación. Después, verifique el aceite después de cada 200 horas de operación de la máquina o mensualmente, lo que ocurra primero.

-IMPORTANTE-

Si el nivel de aceite se encuentra bajo de manera constante, revise si existen pérdidas y corrijalas inmediatamente.

1. Limpie la suciedad y las sustancias contaminantes de alrededor de la tapa del depósito. Quite la tapa del depósito de aceite hidráulico.

2. Verifique visualmente el nivel de aceite hidráulico. El aceite hidráulico debe estar por lo menos a 3" pulgadas de la parte superior del cuello del llenador. Si el nivel no se puede determinar visualmente, use una cinta de medición limpia para verificar el nivel. Si el fluido está bajo, agregue aceite para motor 20W50. NO llene demasiado; (llenar demasiado el depósito de aceite puede causar pérdidas de aceite).

3. Limpie la tapa de relleno y tape el depósito.

B. Cambio de aceite hidráulico

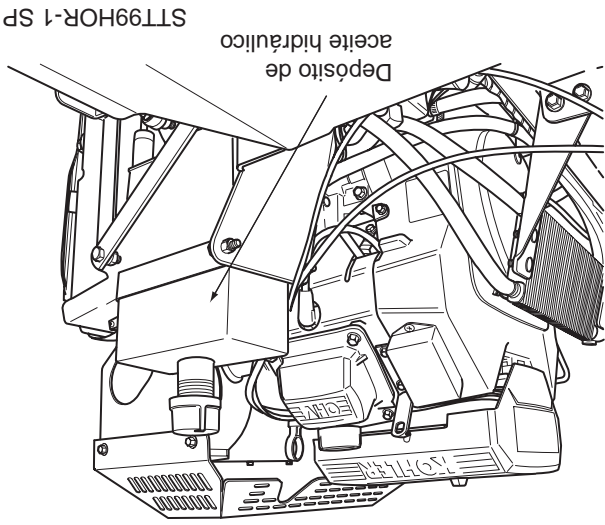


Figura 7-2 Depósito de aceite hidráulico

El aceite hidráulico se debe cambiar cada 500 horas o en forma anual, lo que ocurra primero. El aceite también se debe cambiar si se ha vuelto de color negro o lechoso. Un color negro y/o un olor rancio indican generalmente un posible recalentamiento del aceite y un color lechoso indica habitualmente la presencia de agua.

-NOTA-

El aceite hidráulico se debe cambiar si se nota la presencia de agua o se percibe un olor rancio.

1. Estacione el cortacésped en una superficie plana, detenga el motor y quite la llave de encendido.

2. Coloque un recipiente adecuado debajo del filtro de aceite hidráulico. Quite la tapa del depósito de aceite hidráulico. Retire el tapón de drenaje de la conexión en la base del filtro de aceite. (Vea la Figura 7-2). Permita drenar el fluido en el recipiente y deséchelo apropiadamente.

3. Vuelva a instalar el tapón de drenaje en la conexión de la base del filtro de aceite y asegúrese de que esté ajustado.

-NOTA-

Antes de rellenar el depósito de aceite hidráulico, debe cambiar el filtro de aceite tal como se describe en la sección C en la próxima página.

Llene el depósito a 3" de la parte superior del llenador con aceite para motor SAE 20W50.

5. Reemplace la tapa de relleno del depósito. Arranque el motor y conduzca hacia adelante y hacia atrás durante dos minutos. Verifique el nivel de aceite en el depósito. Si es necesario, agregue aceite al depósito.

CONEXIONES DE GRASA DE LUBRICACIÓN

LUBRICANTE / INTERVALO

- GRASA BLANCA DE LITIO MP 2125
 (40 HORAS/SEMANALMENTE)
- GRASA DE CHASIS
 (100 HORAS CADA DOS MESES)
- GRASA DE CHASIS
 (200 HORAS/MENSUALMENTE)
- GRASA DE CHASIS
 (500 HORAS/ANUALMENTE)

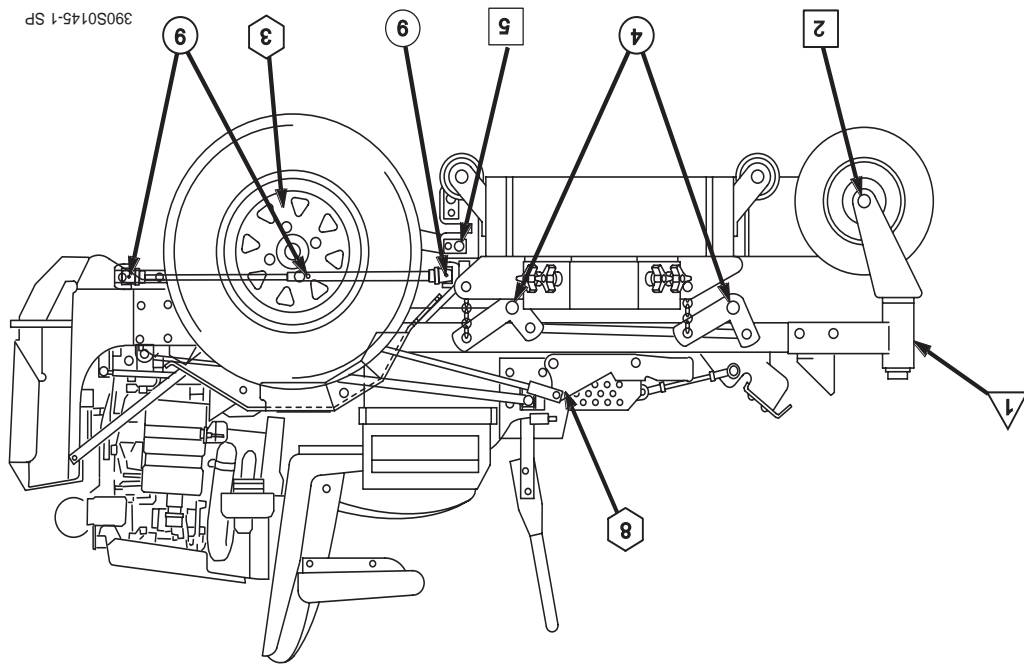
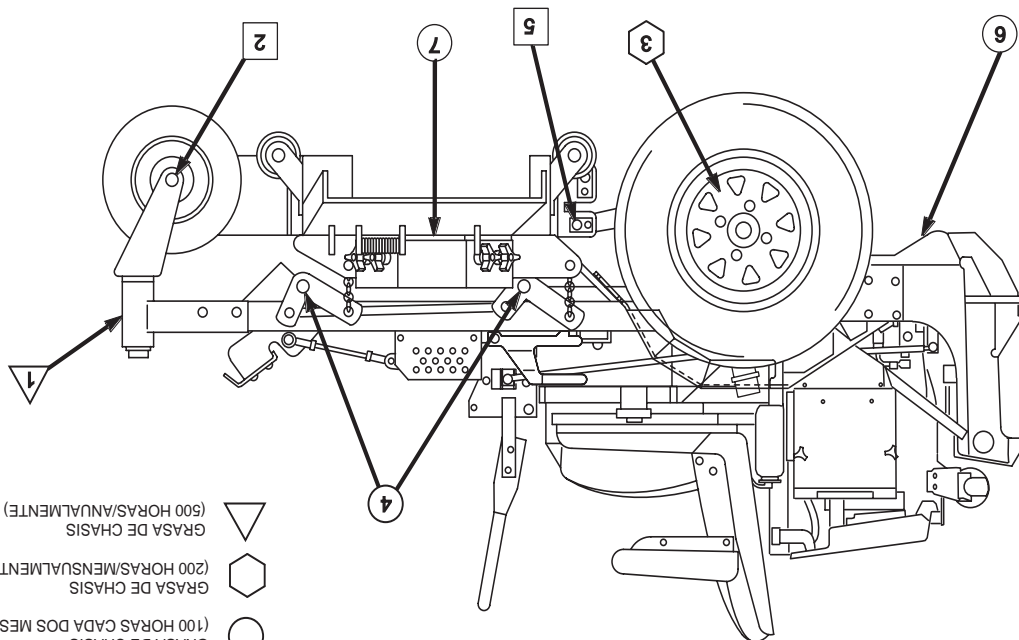


Figura 7-1 Lubricación de puntos de conexión

TABLA DE MANTENIMIENTO - INTERVALOS DE SERVICIO RECOMENDADOS (CONTINUACIÓN)

Observaciones	Procedimiento	HORAS					
		500	200	100	40	8	(Primeros 10)
	Aplique grasa a las conexiones			X			
	Verifique que la tornillería esté bien ajustada			X			
	Cambie el filtro de aceite del motor			X			
	Verifique el nivel del aceite hidráulico			X			
	Reemplace el filtro de combustible del motor	X					
	Drene el sistema hidráulico y reemplace el aceite hidráulico	X					
	Use aceite para motor SAE 20W50						
	Reemplace el filtro de aceite hidráulico	X					
	Ajuste el embrague eléctrico PTO	X					
	Cambie el refrigerante (sólo Kawasaki)	X					
	Ve el párrafo 7.12						

7.2 LUBRICACIÓN - TABLA DE LUBRICACIÓN DE CONEXIÓN DE GRASA (VEA LA FIGURA 7-1, PÁGINA 36)

UBICACIÓN	INTERVALO	LUBRICANTE	UBICACIONES
1 Pivote de rueda loca *	500 horas/annualmente	Grasa de chasis	2
2 Rodamientos de la rueda loca	100 horas/cada dos semanas	Grasa de chasis	2
3 Accionador de freno	200 horas/mensualmente	Grasa de chasis	2
4 Balancines de plataforma de corte	100 horas/cada dos semanas	Grasa de chasis	4
5 Brazos de empuje de plataforma de corte	100 horas/cada dos semanas	Grasa de chasis	2
6 Eje PTO	40 horas/cada dos semanas	+Grasa blanca de litio MP 2125	1
7 Eje de la plataforma de corte	40 horas/semanalmente	+Grasa blanca de litio MP 2125	3
8 Mango del freno	200 horas/mensualmente	Grasa de chasis	1
9 Uniones en U del eje motriz de la plataforma de corte	200 horas/mensualmente	Grasa de chasis	2
10 Manguito deslizando del eje motriz de la plataforma de corte	40 horas/semanalmente	Grasa de chasis	1

* **PROCEDIMIENTO:** Retire la tapa de grasa, número de parte 481559. Quite el tapón, número de parte 482028-01, e instale un engrasador estándar (n/p 48114-06). Aplique grasa a la conexión hasta que aparezca nueva grasa en la parte superior de la extensión de la rueda libre. Quite el engrasador y vuelva a instalar el tapón. Vuelva a instalar la tapa de grasa. Se recomienda usar la herramienta especial número de parte 47007 para la instalación de la tapa de grasa.

+ Grasas compatibles: Mobilix #2 encontrada en estaciones de servicio
 Shell Alvania #2 encontrada en estaciones de servicio
 Shell Lidok EP #2 encontrada en almacenes industriales
 Mobil Timken Lithium Multi-Use #2 encontrada en almacenes industriales

MANTENIMIENTO

7.1 TABLA DE MANTENIMIENTO - INTERVALOS DE SERVICIO RECOMENDADOS

Observaciones	Procedimiento	HORAS						
		8	40	100	200	500	Uso Inicial (Primeros 10)	(Primeros 20)
	Verifique que toda la tornillería esté bien ajustada							X
	Verifique el nivel del aceite hidráulico							X
	Verifique la correcta alineación de todas las correas							X
	Cambie el aceite del motor y el filtro							X
	Verifique que no haya fugas en las mangueras hidráulicas							X
	Tenga mucho cuidado al verificar las mangueras hidráulicas							
	Verifique el nivel del refrigerante (Kawasaki y Briggs)							X
	Verifique el nivel de aceite del motor						X	
	*Limpie el cortacésped						X	
	Verifique el estado de las cuchillas						X	
	Aplique grasa a las conexiones						X	
	Revise la presión de las llantas						X	
	Verifique el nivel del refrigerante (sólo Kawasaki)						X	
	Revise si el cinturón de seguridad presenta desgaste o deterioro						X	
	Verifique el sistema de bloqueo de seguridad						X	
	Verifique el nivel de electrolito de la batería, limpie los bornes y los cables de la misma						X	
	Verifique la correcta alineación de las correas						X	
	Aplique grasa a las conexiones						X	
	Cambie el aceite del motor						X	
	*Limpie el elemento del filtro de aire						X	
	Verifique el lubricante en la caja de cambios de la plataforma de corte						X	

* Realice con más frecuencia estos procedimientos de mantenimiento bajo condiciones extremas de polvo o suciedad

Figura 6-12 Posición del deflector de corte personalizado de 4"

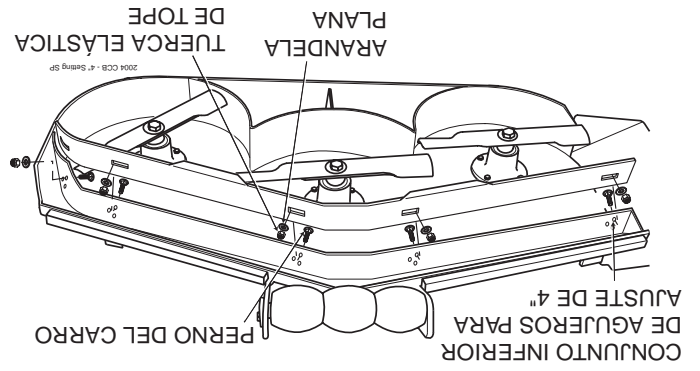
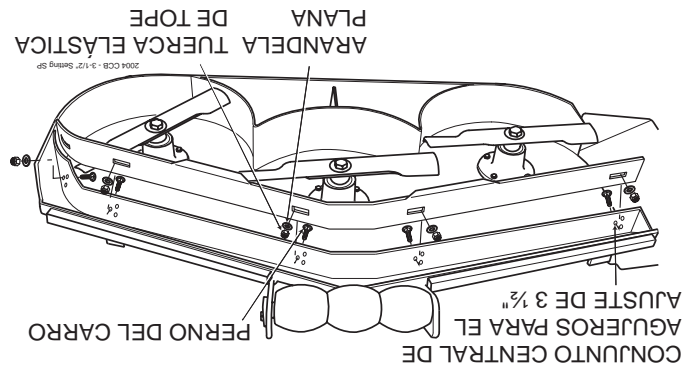


Figura 6-11 Deflector de corte personalizado de 3-1/2"



Si se tuvo que realizar un ajuste, asegúrese que la plataforma de corte se pueda bloquear fácilmente en la posición de transporte.

-NOTA-

Ajuste del deflector de corte personalizado

El deflector de corte personalizado está diseñado para entregar un óptimo flujo de aire y un desempeño de corte superior en cualquier tipo de césped. El deflector personalizado puede levantarse o bajarse para personalizar en forma precisa el desempeño de la plataforma para el tipo de césped que se está cortando. El deflector se puede colocar en tres (3) posiciones diferentes para el desempeño óptimo.

A. Posición 3" - el deflector se instala usando el conjunto superior de agujeros en el deflector frontal soldado dentro de la plataforma de corte. (Vea la Figura 6.10, página 32). Las plataformas de corte V-Plus y Advantage entregarán la mejor calidad de corte en césped muy alto, tieso y difícil de cortar.

B. Posición 3-1/2" - el deflector se instala usando el conjunto central de agujeros en el deflector frontal soldado dentro de la plataforma de corte. (Vea la Figura 6.11, página 33). Para cortes de propósito general, coloque el deflector de corte personalizado en la posición de 3-1/2". Esto le da la mejor combinación de desempeño de corte en todos los tipos de césped.

C. Posición 4" (ajuste de fábrica) - el deflector se instala usando el conjunto inferior de agujeros en el deflector frontal soldado dentro de la plataforma de corte. (Vea la Figura 6.12, página 33). La colocación del deflector en el ajuste de 4" mejorará el corte en otoño (recogida de hojas) y reducirá los "soplos" en la plataforma de corte.

Para ajustar la altura del deflector de corte personalizado:

1. Coloque la plataforma de corte en posición de transporte.

2. Quite los accesorios que aseguran el deflector de corte personalizado a la plataforma de corte. (Vea la Figura 6.9)

-NOTA-

La ubicación de los accesorios usados en las ilustraciones es sólo para referencia. La ubicación de los accesorios puede variar de acuerdo con el tamaño de la plataforma de corte.

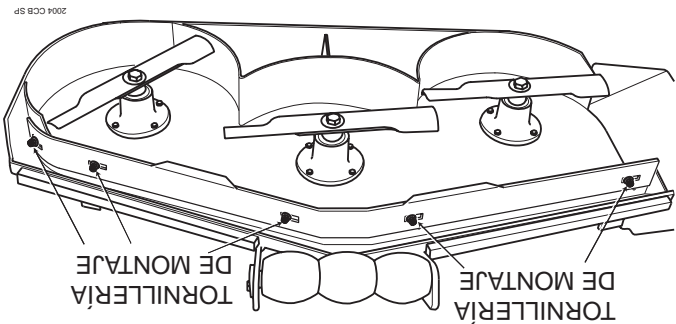


Figura 6-9 Deflector de corte personalizado

3. Mueva el deflector de corte personalizado a la posición deseada. (Vea las Figuras 6.10 hasta 6.12 para la ubicación).
4. Vuelva a instalar los accesorios de montaje como se muestra. (Vea las Figuras 6.11 hasta 6.12). Apriete los tornillos con un torque de 39 pies-lb.

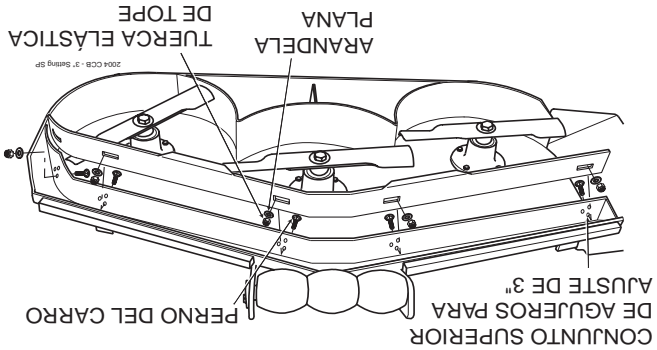


Figura 6-10 Posición del deflector de corte personalizado de 3"

-NOTA-
Para evitar la oscilación de la plataforma de corte, las cuatro cadenas suspendidas de la plataforma de corte deben estar tensionadas. Si las cuatro cadenas no están bajo tensión y la plataforma oscila, debe reajustar la plataforma de corte como se explicó en los procedimientos mencionados anteriormente.

CONTRATUERCA
AJUSTE AQUÍ

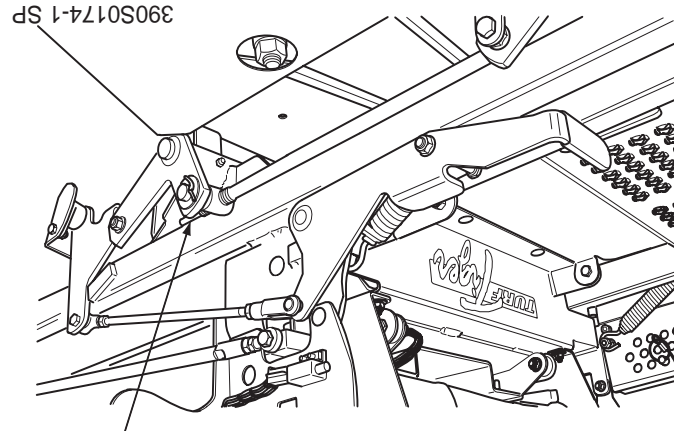


Figura 6-6 Ajuste del nivel de la plataforma de corte

El ajuste de la altura de la plataforma de corte se realiza para asegurar que la misma corte en la altura señalada en el indicador. Para verificar la altura apropiada de la plataforma, asegúrese que el cortacésped esté en una superficie plana y a nivel y que las llantas estén infladas apropiadamente.

1. Coloque la plataforma de corte en posición de transporte. Afloje las contratuercas en ambos extremos de la varilla de control de la altura de la plataforma. (Vea la Figura 6.7)

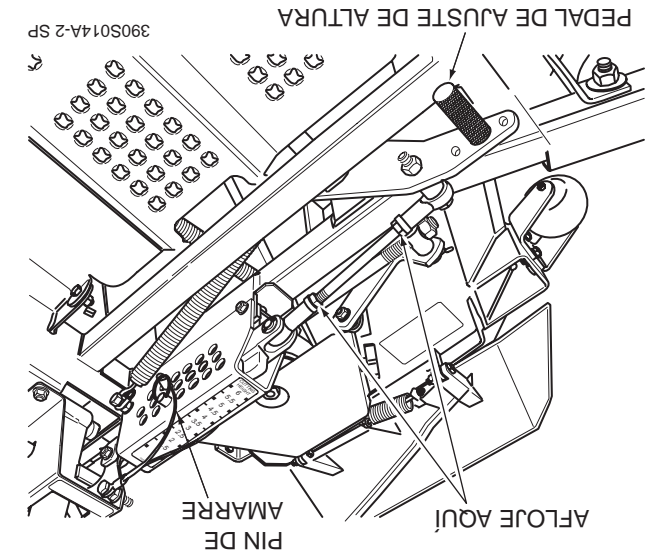


Figura 6-7 Ajuste de altura de la plataforma de corte

2. Gire la varilla de control (Vea la Figura 6.7) hasta que haya un espacio de 1/4" entre el tope posterior de la plataforma y la parte superior de la plataforma de corte. (Vea la Figura 6.8). Apriete las contratuercas en la varilla de control.

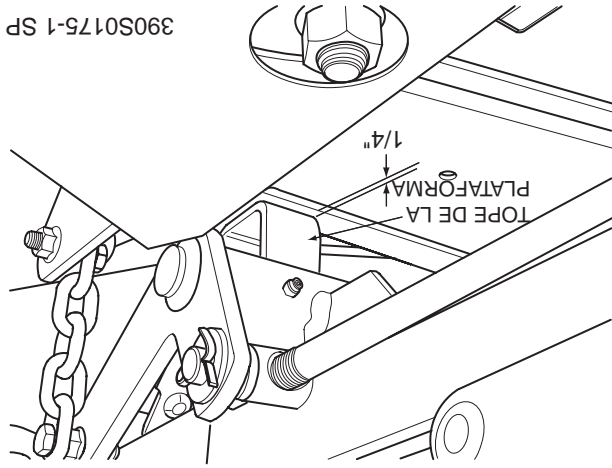


Figura 6-8 Tope de la plataforma de corte

3. Verifique la altura de corte de la plataforma de corte colocando el pin de amarre en la posición 3" en el indicador de la altura de corte. Libere la plataforma de la posición de transporte y permita que se desplace a la posición de la altura de corte de 3".

4. Verifique la medida desde el suelo hasta la punta de la cuchilla de corte. Si la medida no se encuentra en 3", puede realizarse un ajuste utilizando la varilla de control de altura de la plataforma. (Vea la Figura 6.7)

6.6 AJUSTES DE LA PLATAFORMA DE

CORTE

El nivel de la plataforma de corte, la inclinación y la altura se ajustan en fábrica. Sin embargo, si deben realizarse estos ajustes alguna vez, los siguientes procedimientos lo ayudarán a obtener el ajuste apropiado de la plataforma de corte.

-NOTA-

Antes de proceder con los ajustes de la plataforma de corte, asegúrese de que todas las llantas estén infladas apropiadamente.

Nivel de la plataforma de corte

La plataforma de corte debe ser plana de lado a lado para un desempeño apropiado de corte. Para verificar el nivel, asegúrese que el cortacésped esté en una superficie plana y nivelada, las llantas estén infladas apropiadamente y la plataforma de corte esté fijada en la altura de corte más común que usará. En el lado derecho de la máquina, verifique la distancia desde la parte inferior de la plataforma de corte hasta el piso. Luego revise la distancia desde la parte inferior de la plataforma de corte hasta el piso en el lado izquierdo de la máquina. Ambas medidas deben ser iguales. Si las dos medidas son diferentes, el nivel de la plataforma de corte se debe ajustar como sigue:

1. En el lado frontal del lado izquierdo de la plataforma de corte, ubique el soporte de ajuste de la misma (Vea la Figura 6-5).

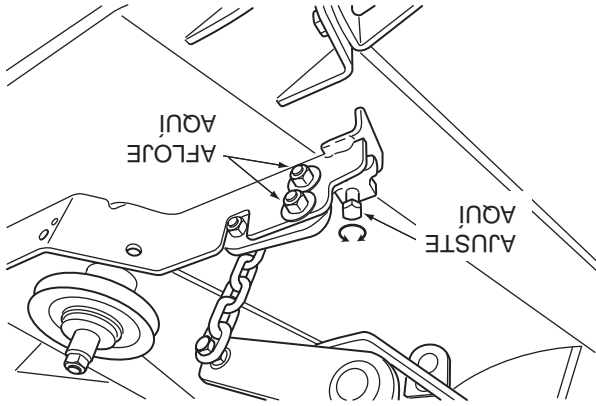


Figura 6-5 Ajuste del nivel de la plataforma de corte

Inclinación de la plataforma de corte

2. Afloje las dos tuercas elásticas de tope. Regule el perno hacia arriba o hacia abajo en el soporte de ajuste para ajustar la plataforma de corte hasta que la distancia desde la parte inferior de la misma al piso sea igual que la medida del lado derecho de la máquina.
3. Apriete las dos tuercas elásticas de tope para asegurar la plataforma de corte en la posición apropiada.

La inclinación de la plataforma de corte debe ser igual entre la parte frontal y posterior de la misma para un desempeño de corte apropiado. Para verificar la inclinación apropiada de la plataforma, asegúrese que el cortacésped esté en una superficie plana y a nivel y que las llantas estén infladas apropiadamente.

Verifique la distancia desde la parte inferior de la plataforma de corte hasta el piso en el lado posterior del lado derecho de la plataforma de corte directamente detrás de las cadenas de suspensión de la plataforma de corte. Luego verifique la distancia desde la parte inferior de la plataforma de corte hasta el piso en el lado frontal del lado derecho de la misma directamente en frente de las cadenas de suspensión de la plataforma de corte. La medida en la parte frontal de la plataforma de corte debe ser igual a la medida en la parte posterior de la plataforma. También realice estas medidas en el lado izquierdo de la plataforma de corte. Si la medida en la parte frontal de la plataforma no es igual, la inclinación de la plataforma debe ajustarse de la manera siguiente:

1. Afloje las tuercas de bloqueo en ambas varillas de ajuste. (Vea la Figura 6.6)
2. Usando una llave en la contratuercas (vea la Figura 6.6) gire las varillas de ajuste hasta que se alcance la inclinación adecuada en los lados derecho e izquierdo de la plataforma de corte. Apriete ambas tuercas de bloqueo.

6. Accione las palancas de control de dirección hacia adelante y en reversa y regrese las a la posición neutral.
7. Compruebe que las ruedas motrices permanezcan en neutral y ajuste de nuevo si es necesario.
8. Compruebe que las palancas de control de dirección golpeen el tope antes de que las bombas alcancen la carrera completa. Ajuste como lo considere necesario.

Ajuste de alineación



PRECAUCIÓN:

Detenga el motor y quite la llave del encendido antes de realizar cualquier ajuste. Espere que todas las partes móviles se detengan antes de comenzar a trabajar.



PRECAUCIÓN:

El motor y la unidad motriz pueden calentarse durante la operación, causando heridas por quemaduras. Permita que el motor y los componentes de transmisión se enfríen antes de realizar cualquier ajuste.

-NOTA-

1. Si a máxima velocidad el cortacésped se tira a la derecha, es una indicación de que la rueda izquierda gira más rápido que la derecha. Para ajustar esta condición, proceda de la manera siguiente:
Antes de proceder con este ajuste, asegúrese que las ruedas locas giren libremente y que la presión de las llantas en las ruedas motrices es correcta. Si la presión de la llanta no es correcta, la máquina tirará al lado con la presión más baja.

A. Detenga la máquina y coloque las palancas de control de dirección en la posición neutral.

Aflaje las tuercas de bloqueo que aseguran las juntas de rótula en cada extremo de la varilla de control de dirección del lado izquierdo. Gire la varilla de control para estirar la varilla y apriete las tuercas de bloqueo. Esto causará que la varilla de control golpee menos la bomba del lado izquierdo, disminuyendo la velocidad de la rueda de dicho lado.

-NOTA-

Si después de realizar el ajuste tal como se explicó en el paso, la máquina avanza lentamente hacia adelante o hacia atrás, el ajuste neutral debe hacerse de la manera que se describe en la página 28.

6.3 AJUSTES DE LOS CONTROLES DE ACELERACIÓN Y ESTRANGULACIÓN

Estos ajustes deben ser realizados por su distribuidor Scag para asegurar la operación apropiada y eficiente del motor. Si requiere cualquier ajuste, contacte con su centro de servicio autorizado Scag.

6.4 AJUSTE DE LA CORREA



ADVERTENCIA:
Antes de quitar cualquier guarda, apague el motor y retire la llave de encendido.

Todas las correas de transmisión y las correas de la plataforma de corte están cargadas por resortes y son auto tensionantes. Deben revisarse periódicamente la correcta alineación y el desgaste de las correas.

6.5 ALINEACIÓN DE LA CORREA

La alineación de la correa es importante para el desempeño apropiado de su cortacésped Scag. Si experimenta un frecuente desgaste o rotura de correas, consulte con su centro de servicio autorizado Scag.

6.2 AJUSTES DE DESPLAZAMIENTO

Se tendrán que realizar ajustes neutrales o de alineación si:

- A. Las palancas de control de dirección están en la posición neutral y la máquina se arrastra hacia adelante o hacia atrás. (Ajuste neutral, vea la página 28).

- B. Las palancas del control de dirección están en la posición completamente hacia adelante y el cortacésped se tira a un lado o al otro al desplazarse hacia adelante. (Ajuste de alineación, vea página 29).

Ajuste neutral

1. Asegúrese de que las palancas de la válvula de descarga estén en la posición de operación y que las palancas de control de dirección estén en la posición neutral de bloqueo.

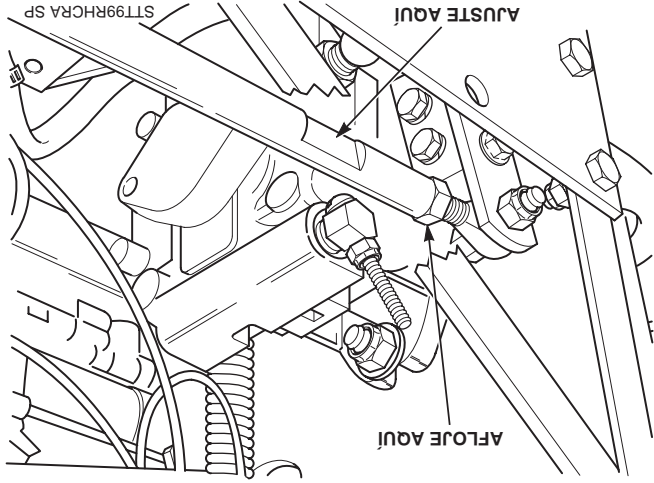
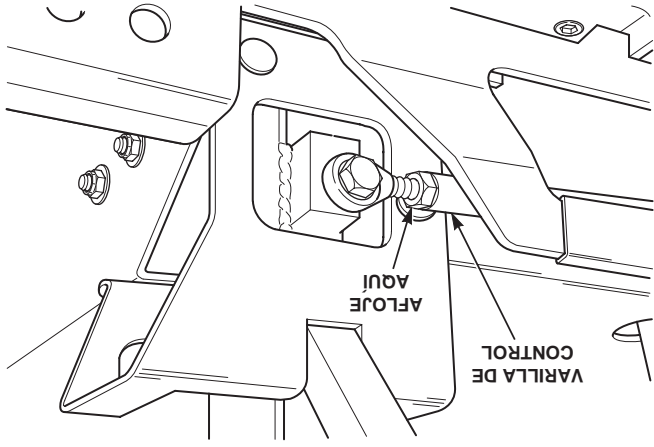


Figura 6-3 Ajuste de la varilla de control de dirección a mano derecha

28

2. Con un operador en el asiento, arranque el motor y libere el freno de estacionamiento.

3. Opere el motor a la máxima velocidad de operación y compruebe si la máquina se arrastra hacia adelante o hacia atrás.

4. Ajuste la rueda derecha arrojando las contratuercas en la varilla de control de dirección y gire la varilla hasta que la rueda motriz gire hacia adelante. Gire la varilla en sentido contrario hasta que la rueda motriz deje de moverse. Gire la varilla 1/2 vuelta adicional. (Vea la Figura 6-3).

5. Apriete las contratuercas y repita el proceso para la rueda izquierda. (Vea la Figura 6-4).

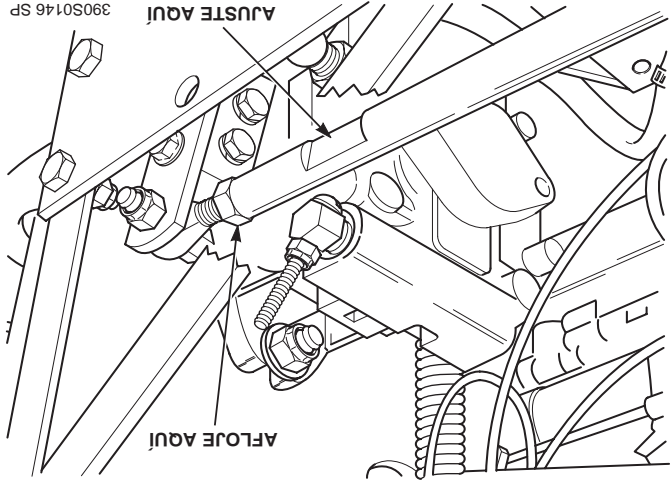
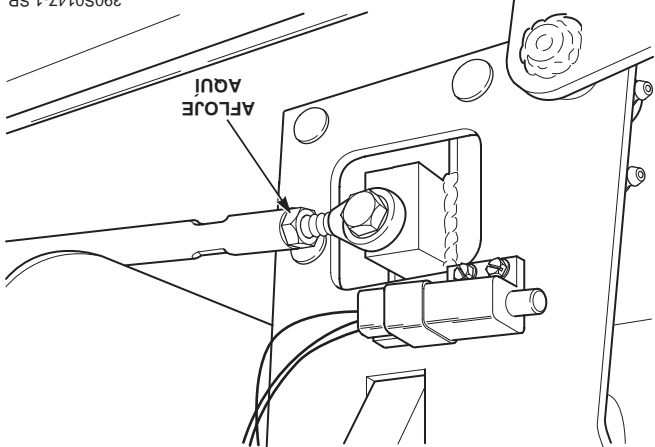


Figura 6-4 Ajuste de la varilla de control de dirección a mano izquierda

390S0146 SP

390S0147-1 SP

390S0149-1 SP

STT99RHCR A SP

AJUSTES

6.1 AJUSTE DEL FRENO DE ESTACIONAMIENTO

!WARNING:

No opere el cortacésped si el freno de estacionamiento no está en correcto estado de funcionamiento. Podrían causarse lesiones graves.

El acople del freno de estacionamiento debe ajustarse apenas la palanca del freno de estacionamiento se coloque en la posición "ENGAGE"; el freno de estacionamiento permitirá que el cortacésped se mueva. Si los procedimientos siguientes no permiten accionar el freno de estacionamiento apropiadamente, contacte con su distribuidor Scag para cualquier ajuste adicional de freno.

1. Coloque un gato de piso debajo de la parte posterior de la máquina. Levante la máquina y apóyela para evitar que caiga. Bloquee las ruedas locas para evitar que la máquina se mueva. Quite las ruedas motrices.

2. Con la palanca de freno en la posición desconectada, revise la distancia entre la parte superior del tubo del bastidor y la parte inferior del mango del freno. La distancia debe ser de 2" a 2-1/4" (Vea la Figura 6-1).

3. Si la distancia no está en la medida especificada, regule arrojando la contratuerca en ambos extremos de la varilla de control del freno y girando la varilla hasta alcanzar la distancia apropiada. (Vea la Figura 6-1). Apriete las contratuercas.

4. Con el freno en la posición accionada, verifique la distancia entre la tuerca inferior de la varilla del accionador de freno y la palanca del accionador de freno en el lado izquierdo de la máquina. La distancia debe ser 1/8" (Vea la Figura 6-2).

5. Si la distancia no coincide con la medida especificada, arroje la contratuerca en la horquilla con ojales situada sobre la varilla del accionador del freno (Ver la Figura 6-2).

-NOTA-
Si este procedimiento no logra el ajuste apropiado del freno, contacte con su distribuidor autorizado de Scag.

6. Gire el perno en el fondo de la palanca del accionador de freno hasta que se alcance la medida de 1/8" y apriete la contratuerca en la horquilla con ojales en la varilla del accionador de freno. (Vea la Figura 6-2).
7. Repita los pasos del 4 al 6 en el lado derecho de la máquina.
8. Reemplace las ruedas motrices y pruebe el freno.

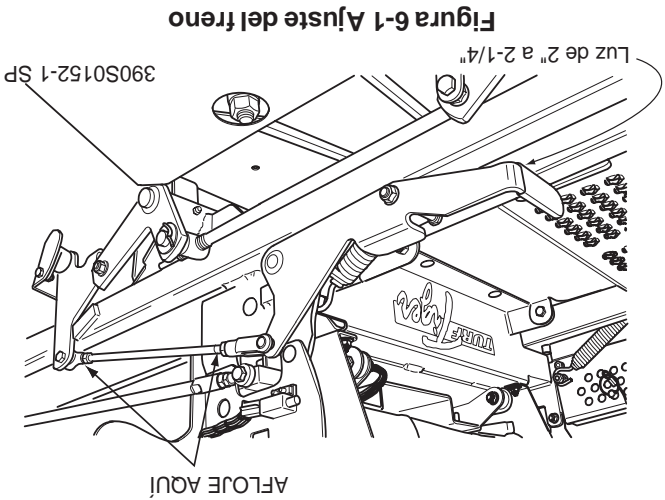


Figura 6-1 Ajuste del freno

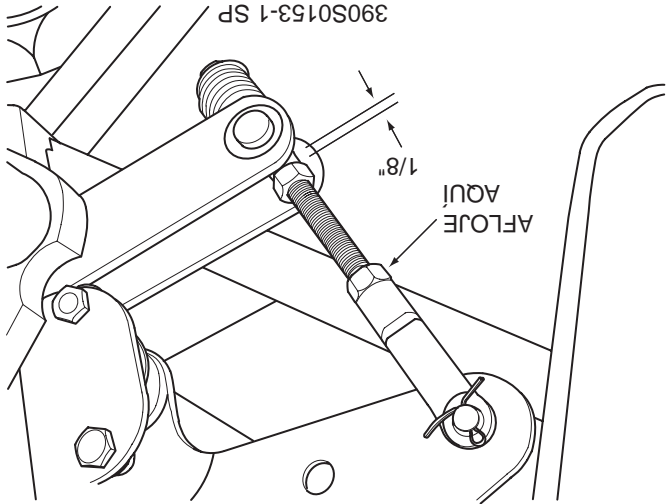






Figura 6-2 Ajuste de la varilla de freno

SOLUCIÓN DE FALLAS (CONTINUACIÓN)

CONDICIÓN	CAUSA	SOLUCIÓN
<p>Raspadoras - Las cuchillas pegan en la tierra o están cortando muy cerca al terreno</p> 	<p>Baja presión de las llantas Velocidad demasiado alta Corte demasiado bajo</p>	<p>Verifique y ajuste las presiones Disminuya la velocidad para ajustarse a las condiciones del terreno Se puede tener que reducir la velocidad en el terreno, aumentar la altura de la plataforma de corte, cambiar la inclinación y el nivel</p>
<p>cuchillas mal montadas, disparrajas</p> 	<p>Cuchillas mal montadas, disparrajas Cuchilla doblada</p>	<p>Ajuste la inclinación y el nivel Reemplace la cuchilla</p>
<p>Corte lateral - Cresta en el centro de la trayectoria de corte</p> 	<p>Cuchilla doblada Falla del eje interno Montaje incorrecto del eje</p>	<p>Ajuste la inclinación y el nivel Reemplace la cuchilla Falla del eje interno Montaje incorrecto del eje</p>
<p>Corte inclinado - Crestas inclinadas a través del ancho de la trayectoria de corte</p> 	<p>Area de montaje del eje doblada Falla del eje interno Alojamiento de la plataforma doblado</p>	<p>Consulte con su distribuidor SCAG autorizado Consulte con su distribuidor SCAG autorizado Consulte con su distribuidor SCAG autorizado</p>

SOLUCIÓN DE FALLAS (CONTINUACIÓN)

SOLUCIÓN	CAUSA	CONDICIÓN
Reemplace la cuchilla	Levantador de la cuchilla desgastado	Corte disparajo en terreno plano - Apariencia baja y alta ondulada, corte volado o perfil irregular
Monte la cuchilla con el filo hacia el terreno	Cuchilla montada invertida	Césped acumulado debajo de la plataforma de corte
Limpie la parte de abajo de la plataforma	Demasiado ángulo en la cuchilla (inclinación de la plataforma de corte)	Plataforma de corte montada incorrectamente
Consulte con su distribuidor SCAG autorizado	Área del eje doblada	Plataforma de corte montada incorrectamente
Afíle la cuchilla	Cuchilla desafilada	Ancho de la plataforma de corte
Se puede tener que reducir la velocidad en el terreno, aumentar la altura de la plataforma de corte y/o cambiar la dirección del corte	Terreno disparajo	Corte disparajo en terreno disparajo - Apariencia baja y alta ondulada, corte volado o perfil irregular
Revise y ajuste la presión de las llantas	Llantas con presión desigual	Salientes inclinadas a lo ancho de la trayectoria de corte
Revise y ajuste la presión de las llantas	Ruedas disparajas	Ancho de la plataforma de corte
Revise y ajuste la presión de las llantas	Plataforma de corte montada incorrectamente	Ancho de la plataforma de corte
Consulte con su distribuidor SCAG autorizado	Plataforma de corte montada incorrectamente	Ancho de la plataforma de corte
Verifique el nivel y corrija	Plataforma no nivelada lado a lado	Ancho de la plataforma de corte

IDENTIFICACIÓN DE FALLAS EN LAS CONDICIONES DE CORTE

CONDICIÓN	CAUSA	SOLUCIÓN
	<p>Bajas revoluciones (rpm) del motor</p> <p>Velocidad demasiado alta</p> <p>Cuchillas desafiladas, afilado incorrecto</p> <p>Césped mojado</p> <p>Césped acumulado debajo de la plataforma de corte</p> <p>Correas patinando</p>	<p>Opere el motor a su máxima RPM</p> <p>Disminuya la velocidad para ajustarse a las condiciones del terreno</p> <p>Corte el césped una vez que se seque</p> <p>Afile las cuchillas</p> <p>Limpie la parte de abajo de la plataforma</p> <p>Ajuste la tensión de la correa</p>
	<p>Cuchillas desafiladas o desgastadas</p> <p>Afilado incorrecto de las cuchillas</p> <p>Bajas revoluciones (rpm) del motor</p> <p>Correa patinando</p> <p>Césped acumulado debajo de la plataforma de corte</p> <p>Velocidad demasiado alta</p> <p>Césped mojado</p>	<p>Afile las cuchillas</p> <p>Afile las cuchillas</p> <p>Opere el motor a su máxima RPM</p> <p>Ajuste la tensión de la correa</p> <p>Limpie la parte de abajo de la plataforma</p> <p>Césped acumulado debajo de la plataforma de corte</p> <p>Velocidad demasiado alta</p> <p>Disminuya la velocidad para ajustarse a las condiciones del terreno</p> <p>Corte el césped una vez que se seque</p> <p>Reemplace las cuchillas</p>
	<p>Traslape insuficiente entre pasadas</p>	<p>Aumente el traslape de cada pase</p>

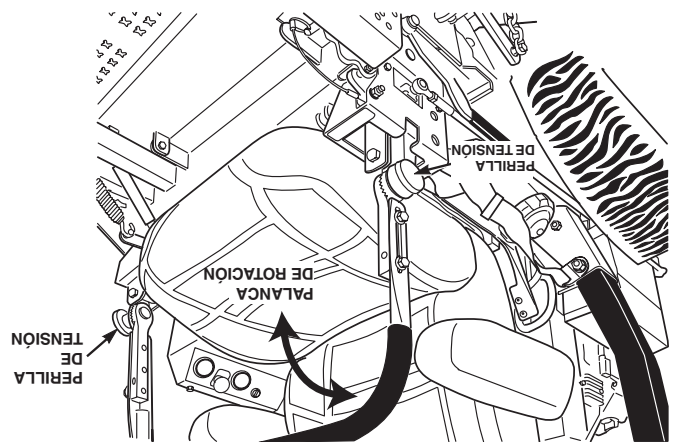


Figura 4-8 Ajuste de las palancas de direccion

4.16 Ajuste del pedal de ajuste de altura

1. Coloque el asiento en la posición deseada.
2. Al encontrarse en la posición de operador con el motor apagado, presione hacia abajo el pedal de ajuste de altura para verificar que tenga el control total de la función.
3. El pedal de ajuste de altura se puede colocar en tres (3) diferentes posiciones para la comodidad y control del operador. Vea la Figura 4-9.

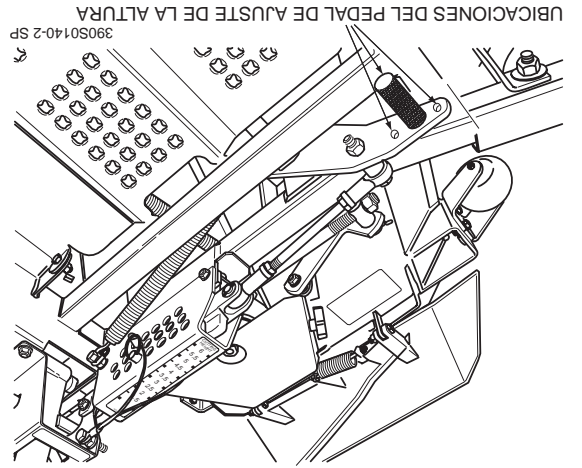


Figura 4-9 Ubicaciones del pedal de ajuste de la altura

4. **Nunca remolque en cuestras.** El peso del equipo remolcado puede causar la pérdida de tracción y la pérdida de control.
5. Desplácese lentamente y permita una distancia adicional para detenerse.
6. Un giro de radio cero con un remolque conectado, podría dañar el remolque o el cortacésped.

4.15 Ajuste de las palancas de dirección

1. Coloque el asiento en la posición deseada.
2. Al encontrarse en la posición de operador con el motor apagado, mueva ambas palancas de dirección hacia adelante y hacia atrás para verificar que tenga control total y comodidad.
3. Si es necesario el ajuste de las palancas de dirección, aplique las siguientes instrucciones.

- A. Afloje la perilla de tensión en el conjunto de la palanca.
- B. Gire la palanca de dirección hacia adelante o hacia atrás para lograr una óptima posición de funcionamiento.
- C. Apriete la perilla de tensión y repita el proceso en el lado opuesto.
- D. Al encontrarse en la posición de operador, lleve las palancas de dirección fuera de la posición neutral de bloqueo y verifique que ambas palancas estén niveladas antes de operar.

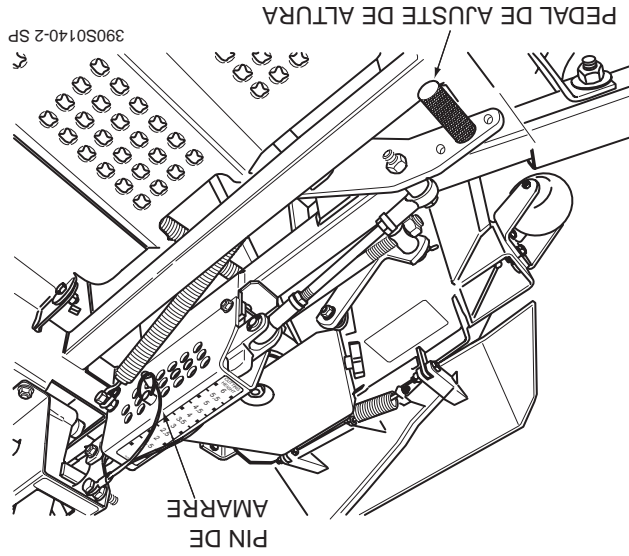


Figura 4-6 Ajuste de altura de corte

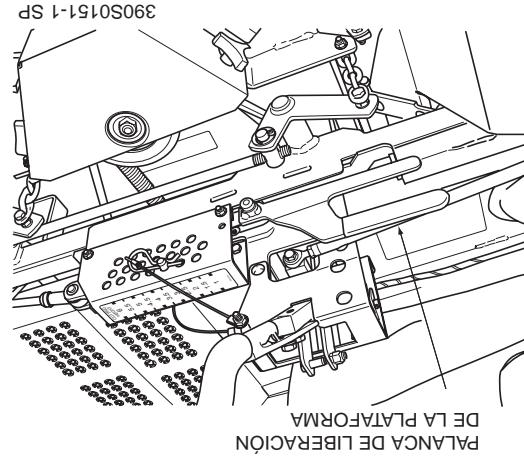


Figura 4-7 Palanca de liberación de la plataforma

4.14 Remolque (accesorio de enganche opcional)

1. **Nunca** permita niños ni otras personas en el equipo remolcado.
2. Remolque sólo con una máquina que tenga un accesorio de enganche diseñado para remolcar. Sólo conecte el equipo remolcado en el punto de enganche.
3. Siga las recomendaciones del fabricante para el límite de peso para el equipo remolcado. Máximo peso remolcado 250 lbs (113 Kg).

4.11 DESPLAZAMIENTO DEL CORTACÉSPED CON EL MOTOR DETENIDO

Para "rodar libremente" o mover el cortacésped sin el motor encendido, coloque las palancas de la válvula de descarga en la posición FREE-WHEEL (Figura 4-2, Página 16). Desconecte el freno de estacionamiento y mueve el cortacésped a mano. Las palancas de la válvula de descarga deben ser regresadas a la posición DRIVE y ajustadas a 7-10 pies/lb para operar el cortacésped.

4.12 RECOMENDACIONES PARA CORTAR EL CÉSPED

1. No corte con cuchillas desafiladas. Una cuchilla desafilada desgarrará el césped, dando como resultado una mala apariencia del césped y requiriendo potencia adicional del motor.

2. La tolva de descarga no debe quitarse y debe mantenerse en su posición más baja para desviar hacia abajo el césped cortado y cualquier objeto que se encuentre sobre el mismo. Dirija la descarga lateral lejos de aceras o de calles para minimizar la limpieza de los recorres de césped. Cuando corte cerca de obstáculos, dirija la descarga lejos de los mismos para reducir la posibilidad de daños a la propiedad debido a objetos lanzados.



3. Corte el césped cuando esté seco y no demasiado alto. No corte el césped demasiado corto (corte 1/3 o menos del césped existente para obtener una mejor apariencia). Corte frecuentemente.
4. Mantenga limpios el cortacésped y la tolva de descarga.
5. Cuando corte césped mojado o césped alto, corte dos veces. Levante el cortacésped al ajuste más alto para el primer pase y luego haga un segundo pase en la altura deseada.

4.13 AJUSTE DE LA ALTURA DE CORTE

La plataforma del cortacésped puede ajustarse desde una altura de 1" hasta 6" en intervalos de 1/4". Para ajustar la altura de corte:



1. Desconecte la potencia a las cuchillas de corte.
2. Empuje el pedal de pie de ajuste de la altura de corte completamente hacia adelante con su pie derecho hasta que se asegure en su lugar. (Figura 4-6).
3. Inserte el pin de amarre en el indicador de la altura de corte en la altura de corte deseada. Empuje hacia adelante la palanca de pie de la elevación de plataforma, manténgala en posición y levante la palanca de liberación de plataforma. (Figura 4-7, página 22). Libere lentamente el pedal. Hay una calcomanía de la altura de plataforma ubicada en el indicador de altura como una ayuda para ajustar la plataforma a la altura deseada. (Figura 4-6).

4.9 DESPUÉS DE LA OPERACIÓN

1. Lave todo el cortacésped después de cada uso. No use chorro a alta presión ni dirija el chorro sobre componentes eléctricos.

-IMPORTANTE-

No lave un motor caliente ni en operación. El agua fría dañará el motor. Use aire comprimido para limpiar el motor si está caliente.

2. Mantenga limpio todo el cortacésped para impedir severos daños por calentamiento al motor o al circuito de aceite hidráulico.

3. Verifique la correcta alineación de las correas de transmisión y cualquier señal de desgaste. Corrija y ajuste si es necesario.

PRECAUCIÓN:

Para evitar quemaduras, permita que el cortacésped se enfríe antes de quitar la tapa del tanque de combustible y rellenar.

4. Al final de cada día de operación y después de que el cortacésped se haya enfriado, llene el tanque de combustible con combustible limpio.

5. Verifique la presión de las llantas. Corrija la presión si es necesario.

4.10 RETIRO DEL MATERIAL ATASCADO

CUCHILLAS GIRATORIAS



¡NUNCA PONGA LAS MANOS EN LA TOLVA DE DESCARGA POR NINGÚN MOTIVO! Si ha ocurrido una obstrucción, apague el motor y quite la llave y sólo entonces use un palo u objeto semejante para quitar el material atascado.

1. Si la tolva de descarga llega a atascarse, apague el motor y quite la llave de encendido. Use un palo o artículo semejante para sacar el material atascado. Luego, reanude el corte normal.

1. Este cortacésped se ha diseñado para tener buena tracción y estabilidad bajo condiciones normales de corte. Sin embargo, debe tener cuidado al desplazarse en cuestas, especialmente cuando el césped está mojado. El césped mojado reduce la tracción y el control de dirección. El sistema de protección contra vuelco es un equipo estándar para esta máquina. Vea la Sección 2.5, página 7 de este manual para mayores detalles.

2. Para evitar volcarse o perder el control, no arranque ni se detenga repentinamente, evite giros innecesarios y desplácese a baja velocidad. Si las llantas pierden tracción, desconecte las cuchillas y baje lentamente la pendiente.

3. Evite arranques repentinos al subir una cuesta. Los arranques repentinos pueden causar que la máquina se incline hacia atrás.

4. Puede producirse una pérdida de tracción al desplazarse bajando una cuesta. El peso se transfiere a la parte delantera de la máquina y puede causar que las ruedas motrices se deslicen, causando pérdida de frenado o dirección.

5. Mantenga las llantas correctamente infladas.

4.8 ESTACIONAMIENTO DEL CORTACÉSPEDES

1. Estacione el cortacésped en una superficie plana y a nivel solamente. No estacione la máquina en una pendiente.

2. Coloque las palancas de control de dirección en la posición neutral.

3. Desconecte las cuchillas de corte

4. Disminuya la velocidad del motor hasta la velocidad de vacío.

5. Accione el freno de estacionamiento.

6. Gire la llave de encendido a la posición OFF y quite la llave.

Para desplazarse en reversa, tire hacia atrás ambas asas. Mantenga baja la velocidad de desplazamiento al viajar en reversa.

-NOTA-

El cortacésped no puede desplazarse en línea recta en reversa. Puede ser necesario hacer ligeros ajustes con los controles de dirección.

Para dirigirse a la izquierda mientras se desplaza en reversa, permita que la palanca izquierda de dirección se mueva hacia adelante. Cuando más se permita al control desplazarse hacia adelante, más rápido girará el cortacésped a la izquierda.

Para dirigirse a la derecha mientras se desplaza en reversa, permita que la palanca derecha de dirección se mueva hacia adelante. Cuando más se permita al control desplazarse hacia adelante, más rápido girará el cortacésped a la derecha.

Para detener el desplazamiento en reversa, permita que las palancas de dirección vuelvan a la posición neutral. Si el cortacésped debe estacionarse, accione el freno de estacionamiento.

4.6 CONEXIÓN DE LA TRANSMISIÓN DE PLATAFORMA (CUCHILLAS DE CORTE)

1. Ponga el control de aceleración en cerca de 3/4 de la velocidad máxima. No trate de accionar la transmisión de la plataforma en alta velocidad ya que esto acorta la vida del embrague eléctrico — use una velocidad moderada del motor al accionar la transmisión de plataforma.

2. Accione la transmisión de plataforma tirando del interruptor amarillo, ubicado en el panel de instrumentos, (Figura 4-3) a la posición accionada.

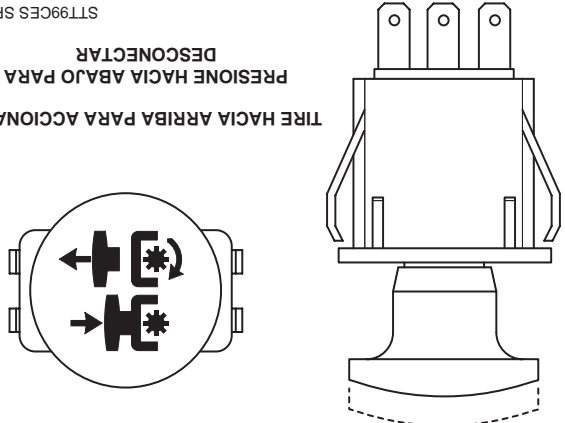


Figura 4-3 Interruptor de accionamiento del cortador

-NOTA-

Puede escucharse un chirrido al accionar o desconectar la transmisión de la plataforma. Es causado por el engrane de los platos del embrague eléctricos mientras el cortacésped adquiere velocidad. Esto es normal.

3. Para desconectar la transmisión de la plataforma, empuje el interruptor a la posición de desconexión.

4. Siempre opere el motor a máxima aceleración para mantener apropiadamente la velocidad de corte. Si el motor comienza a disminuir su velocidad por exceso de carga, reduzca la velocidad hacia adelante y permita que el motor opere a sus máximas RPM.

4.7 OPERACIÓN EN UNA CUESTA



ADVERTENCIA:

NO opere en pendientes empinadas. Para probar si puede trabajar en una cuesta, trate de retroceder (con la plataforma de corte baja). Si la máquina puede retroceder por la pendiente sin que las ruedas se resbalen, reduzca la velocidad y opere con extremo cuidado. Bajo ninguna circunstancia la máquina debe ser operada en cuestas mayores a 15 grados. SIEMPRE CUMPLA CON LAS OPERACIONES APROBADAS POR OSHA.

4.5 DESPLAZAMIENTO EN EL TERRENO Y DIRECCIÓN

-IMPORTANTE-

Si no está familiarizado con la operación de una máquina con dirección de palanca y/o transmisiones hidrostáticas, debe practicar las operaciones de conducción y velocidad en el terreno en un área abierta, lejos de edificios, cercas, u obstrucciones. Practique hasta que se sienta cómodo con el manejo de la máquina antes de tratar de cortar. Aprenda la operación en terreno plano antes de operar en pendientes.

-IMPORTANTE-

Comience practicando a baja velocidad y desplazándose lentamente hacia adelante. Aprenda a controlar con suavidad los controles de dirección para obtener una operación uniforme.

Practique la operación del cortacésped hasta que se sienta cómodo con los controles antes de proceder a cortar.

Para desplazarse hacia adelante con el cortacésped, libere el freno de estacionamiento y empuje lentamente las palancas de dirección hacia adelante una distancia similar. Cuanto más adelante se empujen las palancas, mayor será la velocidad. Para aumentar la velocidad, empuje las palancas de control de dirección más adelante y para disminuirla, tire de las palancas hacia atrás. Para detener el desplazamiento hacia adelante, tire de las palancas de control de dirección nuevamente a la posición neutral.

Para dirigir el cortacésped a la izquierda mientras se desplaza hacia adelante, tire la palanca izquierda de

dirección hacia atrás. Cuando más atrás se tiren las palancas, más rápido girará el cortacésped a la izquierda.

Para dirigir el cortacésped a la derecha mientras se desplaza hacia adelante, tire la palanca derecha de

dirección hacia atrás. Cuando más atrás se tiren las palancas, más rápido girará el cortacésped a la derecha.

-NOTA-

La operación suave de las palancas de dirección producirá una operación suave del cortacésped. Mientras aprende a operar los controles de dirección, mantenga baja la velocidad de desplazamiento.

-IMPORTANTE-

No se desplace hacia adelante sobre el reborde de una acera. El cortacésped se detendrá sobre el reborde. Levante la plataforma y desplácese hacia atrás sobre el reborde en un ángulo de 45 grados. (Vea la sección 4.13 para instrucciones sobre cómo levantar la plataforma de corte).

Desplazamiento en reversa

Desconecte la potencia al cortacésped antes de retroceder. No corte en reversa a menos que sea absolutamente necesario y sólo después de observar toda el área detrás del cortacésped.



PRECAUCIÓN:

Antes de ir hacia atrás, vea que no haya personas u obstáculos. Despeje el área antes de retroceder. Pueden ocurrir lesiones personales o daños a la propiedad.



PRECAUCIÓN:

18. Cinturón de seguridad (Figura 4-1). Usado para asegurar al operador. El cinturón de seguridad debe usarse solo cuando la barra contra vuelco esté en posición vertical y bloqueada.

4.2 SISTEMA DE BLOQUEO DE SEGURIDAD

El cortacésped está equipado con un sistema de bloqueo de seguridad que evita que el motor arranque a menos que la transmisión de plataforma esté desconectada, que el freno de estacionamiento esté accionado, las palancas de control de dirección en la posición neutral y el operador en el asiento. El sistema de bloqueo apaga el motor si el operador deja el asiento con las palancas de control de dirección en una posición distinta de la neutral y/o las cuchillas de corte accionadas y/o el freno de estacionamiento no accionado.



ADVERTENCIA: Nunca opere el cortacésped con el sistema de bloqueo desconectado o funcionando defectuosamente. No desconecte ni ponga en puente ningún interruptor; el hacerlo puede provocar lesiones a usted o a terceros o causar daños a la propiedad.

4.3 PROCEDIMIENTOS DE ARRANQUE INICIAL (Primer día de uso o aproximadamente 10 horas)

1. Verifique la correcta alineación de todas las correas y su desgaste a las 2, 4 y 8 horas.
2. Cambie el aceite de motor y el filtro de aceite después de las primeras 20 horas de operación. (Vea la sección 7.4.)
3. Verifique el nivel de aceite en el depósito del sistema hidráulico. (Vea la sección 7.3.)
4. Revise que no haya tornillería floja. Apriete según sea necesario.
5. Revise la correcta operación del sistema de bloqueo. (Vea la sección 4.2.)

6. Revise la presión de las llantas. Corrija la presión si es necesario. (Vea la sección 7.10.)

4.4 ARRANQUE DEL MOTOR



PRECAUCIÓN: NO USE LÍQUIDOS DE ARRANQUE. El uso de líquidos de arranque en el sistema de toma de aire puede ser potencialmente explosivo o causar una condición de "embalamiento" del motor que puede causar daños al motor y/o lesiones personales.

1. Asegúrese de que la válvula de corte de combustible, ubicada detrás del asiento del operador, esté completamente abierta. (Vea la sección 7.5.)

2. Siéntese en el asiento del operador, asegure el cinturón de seguridad y coloque las palancas de control de dirección en la posición neutral.

3. Accione el freno de estacionamiento.

4. Si el motor está frío, aplique el estrangulador según sea necesario.

5. Mueva el control de aceleración del motor hasta cerca de la mitad de la velocidad del motor.

6. Gire la llave de encendido a la posición START y suéltela en cuanto arranque el motor. No mantenga la llave en la posición START por más de 15 segundos. Permita por lo menos 60 segundos entre cada intento de arranque para evitar sobrecalentar el arrancador. Los arranques prolongados pueden dañar el arrancador y acortar la vida de batería.

7. Permita que el motor se entibie antes de operar el cortacésped.

4. **Control de aceleración del motor (Figura 4-1).** Usado para controlar la velocidad de motor. Presionando la palanca hacia abajo aumenta la velocidad del motor. Tirando de la palanca hacia atrás disminuye la velocidad del motor. La posición completamente hacia atrás es la posición de MARCHA EN VACÍO. La posición de corte es la de más adelante.

5. **Amperímetro (Figura 4-1).** Indica la condición de carga del sistema. Cuando el motor está funcionando, la aguja debe estar hacia el extremo positivo del medidor. Si la aguja está hacia el extremo negativo del medidor, esto indica una condición de descarga y la máquina debe ser llevada para darle servicio.

6. **Horómetro (Figura 4-1).** Indica el número de horas que ha operado el motor. Opera cuando el interruptor de la llave de encendido está en la posición ON. Ha fijado los recordatorios para el mantenimiento del motor y los cambios de aceite del sistema hidráulico. El mantenimiento programado empezará a destellar 2 horas antes de la hora establecida y continuará destellando hasta 2 horas después. Reinicia automáticamente.

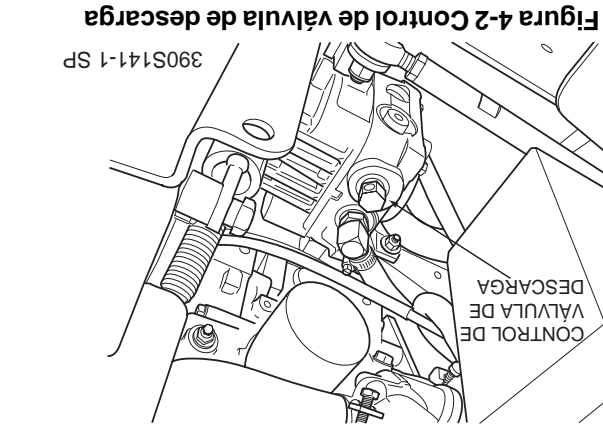
7. **Portafusibles (Figura 4-1).** Dos fusibles de 20 Amp protegen el sistema eléctrico del cortacésped. Para reemplazar los fusibles, retire el fusible del zócalo e instale uno nuevo.

8. **Control izquierdo de dirección (Figura 4-1).** Usado para controlar la rueda izquierda del cortacésped al avanzar hacia adelante o en reversa.

9. **Control derecho de dirección (Figura 4-1).** Usado para controlar la rueda derecha del cortacésped al avanzar hacia adelante o en reversa.

10. **Control del freno de estacionamiento (Figura 4-1).** Usado para accionar y desconectar los frenos de estacionamiento. Tire de la palanca para accionar los frenos de estacionamiento. Presione la palanca para desconectar los frenos de estacionamiento.

11. **Indicador de combustible (Figura 4-1).** Indica la cantidad de combustible en el tanque.



12. **Palancas de control de la válvula de descarga (Figura 4-2).** Ubicadas en las bombas hidráulicas, se usan para "rodar libremente" el cortacésped. El giro de las válvulas en el sentido de las agujas del reloj hasta que se detengan permite que la unidad se mueva con potencia hidráulica. Las válvulas deben estar en esta posición y apretadas a 10 pies/lb durante la operación del cortacésped. El giro de las válvulas en el sentido contrario a las agujas del reloj, permite que el cortacésped se mueva a mano (rueda libremente).

13. **Palanca de pie de elevación de la plataforma (Figura 4-1).** Usada para levantar y bajar la plataforma de corte.

14. **Ajuste de la altura de corte (Figura 4-1).** Usado para poner la plataforma de corte en la altura de corte deseada.

15. **Palanca de liberación de la plataforma (Figura 4-1).** Usada para trabar la plataforma de corte en la posición de transporte. Para corte normal, empuje el pedal hacia adelante y levante la palanca de desenganche de para soltar la plataforma de corte.

16. **Indicador de temperatura (Figura 4-1).** Indica la temperatura de operación del motor. Se usa en máquinas cortacésped con motores enfriados por líquido solamente.

17. **Check Engine Light (Figura 4-1).** Indica la

operación de los sensores del motor en la Inyección digital de combustible Kawasaki (DFI). La luz destellará una vez en el arranque inicial. Si ocurre un problema con un sensor en el motor, la luz destellará un código. Consulte con su distribuidor autorizado de Scag para diagnóstico y reparación.

INSTRUCCIONES DE OPERACIÓN

PRECAUCIÓN: No trate de operar este cortacésped a menos que haya leído este manual. Aprenda la ubicación y el propósito de todos los controles e instrumentos antes de operar este cortacésped.

4.1 IDENTIFICACIÓN DE CONTROLES E INSTRUMENTOS

Antes de operar el cortacésped, debe familiarizarse con todos los controles del cortacésped y el motor. Es importante conocer la ubicación, función y operación de estos controles para la operación segura y eficiente del cortacésped.

1. Interruptor de encendido (Figura 4-1). El interruptor de encendido se usa para arrancar el motor y tiene tres posiciones; OFF, ON y START.
2. Interruptor de la plataforma del cortacésped (Figura 4-1). Usado para accionar y desconectar el sistema de transmisión del cortacésped. Tire del interruptor para accionar la transmisión de la plataforma. Presione el interruptor para desconectar la transmisión de plataforma.
3. Control de estrangulación del motor (Figura 4-1). Usado para arrancar un motor frío. No utilizado en el 29DFI.

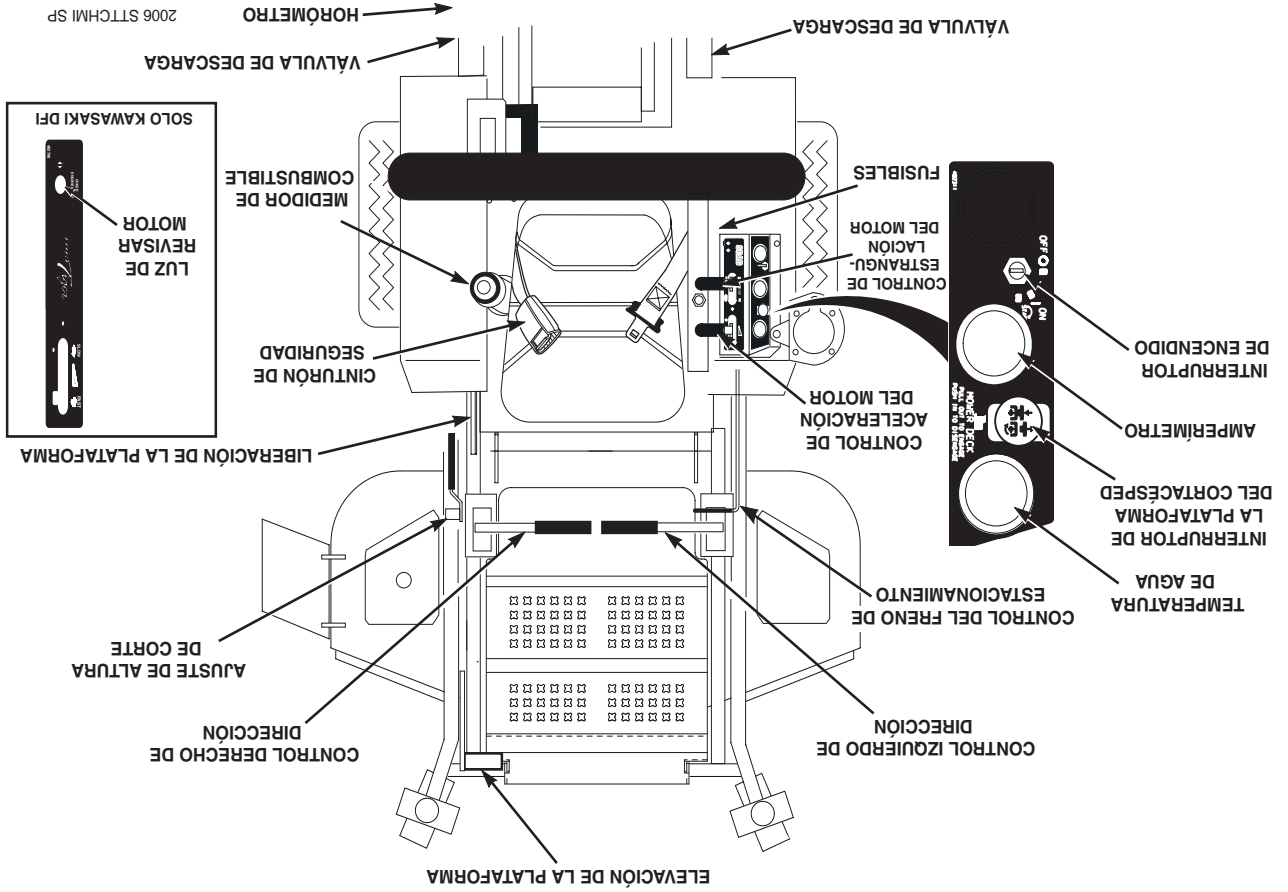


Figura 4-1 Controles e Instrumentos de control horario

- Poleas del eje: Acero partido con cubos cónicos de fácil desmontaje
- Correas de la plataforma de corte: Sección B, de Kevlar Auto ajustado, auto apretado
- SMT52
- SMT61
- SMT72
- Tipo embrague eléctrico
- Eje motriz
- Eje de la horquilla de ajuste con dos uniones en U de alta velocidad

3.6 SISTEMA HIDRÁULICO

- Filtro de aceite hidráulico
- Depósito hidráulico
- Nylon; capacidad 3 cuartos

3.7 PESOS Y DIMENSIONES

Longitud	Ancho de alineación	Ancho total	Altura total	Peso de operación aproximado
SMT52V	82.5"	62"	46"	1250#
SMT61V	87.5"	72"	46"	1400#
SMT72A	90"	83.5"	46"	1495#

3.8 PRODUCTIVIDAD

La tabla siguiente lo ayudará a determinar cuántos acres cortará su cortacésped Scag por día.

La tabla es un estimado basado en un tiempo de corte de 8 horas por día, a 6 MPH (9 KPH), con una cuota para traslape y giros.

Ancho de corte:	20.2	23.7	28
Acrees por día:	52"	61"	72"

3.3TRACTOR (CONTINUACION)

(35BV)

Control de dirección/desplazamiento	los dedos, con control individual de cada rueda con amortiguadores de gas cada rueda con amortiguadores de gas
Freno de estacionamiento	Mecanismo accionado por palanca conectado a los frenos en los ejes de ambas ruedas motrices
Ruedas:	(2) Rueda libre en la parte delantera 13 X 5.00, cuatro capas, 52", 13 X 6.00 cuatro capas, 61" y 72" 13 X 6.00 cuatro capas, 61" y 72"
	(2) Motrices 23 X 10.5 X 12 sin cámara neumática, de cuatro capas, borde radial, 52" 24X12.0X12 sin cámara neumática, de cuatro capas, borde radial, 61" y 72"
Tanque de combustible	Tanque de polietileno de 10 galones, sin costuras, con gran abertura e indicador y tapa de combustible
Presión de la llanta:	Rueda libre delantera Lantitas macizas 12 PSI
Motriz	Acollchado, cojín grueso con apoyo de descanso alto
Velocidad de desplazamiento:	Adelante 0-10 MPH, 0-12 MPH para 29DFI, 35BVAC, 35BV solamente Reversa 0-5 MPH, 0-6 MPH para 29DFI, 35BVAC, 35BV solamente

-NOTA-

La máquina se desplazará entre 10 y 12 Mph para fines de transporte. Para un mejor desempeño de corte, la velocidad de desplazamiento hacia adelante debe ajustarse en función de las condiciones de corte.

3.4 PLATAFORMA DE CORTE

Tipo:	Flotante, ajustable, anti raspado, de diseño híbrido que combina diseños delantero y de montaje frontal
Construcción:	Placa de soporte de acero calibre 10 reforzada con calibre 7 (3/16"), Faldón de plataforma calibre 7 (3/16") 52" (132.0cm), 61" (155.0cm), 71.5" (181.6cm) Ajuste de altura de corte desde 1.00" a 6" en incrementos de 1/4" desde 1.00" a 6" en incrementos de 1/4" Grosor 0.197 o 0.250, borde cepillado, material Marbain™ resistente al desgaste
Cuchillas de corte:	SMT 52V: Tres (3) cuchillas de corte de 18" SMT 61V: Tres (3) cuchillas de corte de 21" SMT 72A: Tres (3) cuchillas de corte de 24-1/2" Embrague eléctrico de accionamiento de cuchilla con interruptor de panel de control Conectado a la caja de cambios de la plataforma de corte mediante un eje motriz. Abertura de descarga extra ancha de 11.5" con tolva de descarga cargada por resorte
Tolva de descarga	Negra, polipropileno (plástico), flexible
Ruedas locas:	13x 5.00 cuatro capas (52"), 13 X 6.00 cuatro capas (61" & 72")
Ejes:	Servicio pesado, 1-1/8" en la parte superior, cuerpo fundido, rodamiento de rodillos cónicos, bajo mantenimiento con conexión de grasa en la parte superior y cabezal móvil de alivio de exceso de grasa

3.1 MOTOR

Industrial de servicio pesado/Comercial de gasolina
 Tipo general
 Marca
 Kohler 27HP (Espec. #PS-CH740-0021)
 Kawasaki, 27HP (Espec. #FD750D-AS04)
 Kawasaki, 29HP (Espec. #FD791D-AS03)
 Briggs & Stratton, 35 HP enfriado por líquido (61317711454-E1)
 Kohler Command, Kaw. FD750D, Kaw. FD791D
 Modelo
 Potencia
 27 HP a 3800 RPM (Modelo STT52V-27CH, STT61V-27CH
 27 HP a 3800 RPM (Modelo STT61V-27KA)
 29 HP a 3800 RPM (Modelos STT61V-29DFI-SS, STT72A-29DFI-SS)
 35 HP a 3800 RPM (Modelos STT61V-35BV-SS, STT72A-35BV)
 Tipo:
 4 ciclos, gasolina, dos cilindros, eje horizontal
 25HP Kohler 725 cc., 27 HP Kohler 725 cc.
 27 HP Kaw. 745 cc., 29 HP Kaw. 745 cc., 29HP Kaw. 745cc.,
 27HP Kaw. 745cc., 29HP Kaw. 745cc.

 2 con camisas de hierro fundido
 Cilindros
 Controlador
 Velocidad en vacío
 Conjunto de bomba de combustible Kohler
 Bomba mecánica de combustible con filtro en línea y carburador de
 chorro fijo con Smart-Choke™ y solenoide de interrupción de
 combustible
 Conjunto de bomba de combustible Kawasaki
 Bomba mecánica de combustible con filtro en línea y carburador de
 chorro fijo invertido.
 Briggs & Stratton Fuel Pump Group
 Bomba mecánica de combustible con filtro en línea y carburador de
 chorro fijo tipo Sidedraft
 Gasolina sin plomo con un octanaje mínimo de 87
 Conjunto de bomba de aceite:
 Bomba de aceite de desplazamiento positivo Gerotor™ con filtro de
 aceite remoto
 Arrancador
 Arranque eléctrico con arrancador de solenoide
 Correas:
 Correa de Kevlar Auto ajustado, auto apretado
 Correa de la transmisión de la plataforma
 Número de parte Scag - 481460
 Correa de transmisión de la bomba
 Número de parte Scag - 482641
 Correa de transmisión de la bomba (29DFI)
 Número de parte Scag - 483086
 Correa de transmisión de la bomba (35BV)
 Número de parte Scag - 483678

3.2 SISTEMA ELÉCTRICO

Batería
 12 voltios
 Sistema de carga
 Salida de carga
 Polaridad del sistema
 Tierra negativa
 Eléctrico, 12 voltios, de corona, bloqueo operado por llave y solenoide
 Interruptores
 Asiento, control de neutral, accionamiento de cortacésped (BBC), freno
 de estacionamiento
 Tablero de instrumentos
 Amperímetro, Interruptor de encendido, Acelerador, Estrangulación
 manual Interruptor BBC
 Fusibles y Módulo de arranque de seguridad, Indicador de
 temperatura (KA), Indicador de
 Fusibles
 Dos (2) de 20 Amp

3.3TRACTOR

Sistema de transmisión
 Transmisión hidráulica con dos bombas volumétricas variables y dos
 motores de hierro fundido de alto torque
 Bombas hidrostáticas
 Motores de la rueda motriz
 Dos motores Hydro-Gear™ 15E de hierro fundido de alto torque
 desplazamiento sin operación del motor y válvulas de descarga para el
 Dos motores Hydro-Gear™ 18E de hierro fundido de alto torque
 pulgadas cúbicas
 Dos motores Ross de hierro fundido de alto torque modelo TG de 15

2.7 CALCOMANÍAS INSTRUCTIVAS Y DE SEGURIDAD

PELIGRO

GUCHILLA GIRATORIA

MANTÉNGASE ALEJADO

EL CONTACTO CON LA GUCHILLA Y LOS OBJETOS LANZADOS PUEDEN CAUSAR DAÑOS

483407

ADVERTENCIA

CUCHILLAS GIRATORIAS Y CORREA

- * Mantenga limpias sus manos, sus pies y su ropa
- * Mantenga todas las guardas en su posición
- * Apague el motor y desconecte el empujador de la cuchilla antes de darle servicio
- * Tenga precaución al dirigir la descarga
- * Lea el manual de instrucción antes de la operación
- NO OPERE A MENOS QUE ESTÉN INSTALADOS EL RECOGEDOR DE CÉSPED, EL EQUIPO MEZCLADOR DE PAJA O LA TOLVA DE DESCARGA

483406

ADVERTENCIA

Reemplace el asiento sólo con el asiento aprobado por Scag que incluye las provisiones de montaje del asiento y el cinturón de seguridad aprobado por Scag.

El incumplimiento de estas instrucciones puede causar lesiones o la muerte en caso de una volcadura.

483411

IMPORTANTE

La operación en pendientes puede ser peligrosa. Esta máquina viene originalmente equipada con un dispositivo de protección contra vuelco que incluye una barra contra vuelco y un cinturón de seguridad. Consulte con su distribuidor si cualquiera de ellos está faltante o dañado.

483425

ADELANTE **REVERSA**

481568

PRECAUCIÓN

Evite las quemaduras. Apague el motor antes de retirar la tapa del tanque de combustible.

483397

ADVERTENCIA

El asiento DEBE instalarse debajo de su soporte de sujeción. No asegurar el asiento debajo de su soporte de sujeción puede ocasionar lesiones graves o la muerte en caso de volcadura.

483429

ADVERTENCIA

INSTALE LA CUBIERTA DE LA CORREA ANTES DE OPERAR LA MÁQUINA LEA EL MANUAL DEL OPERADOR

483402

IMPORTANTES PROCEDIMIENTOS DE AJUSTE LEA EL MANUAL DEL OPERADOR PARA MÁS DETALLES

AJUSTE NEUTRAL

Ajústelo las contratuercas. Repita el procedimiento.

Si la rueda gira hacia atrás, ajuste el tensor en contra de las agujas hacia adelante, ajuste el tensor en el sentido de las agujas del reloj. Si la rueda gira hacia atrás, ajuste el tensor en el sentido de las agujas del reloj. Ajuste hasta que la rueda motriz deje de girar.

Si la máquina tira hacia la derecha, ajuste el acoplamiento del control izquierdo contra el sentido del reloj para disminuir la velocidad de la rueda izquierda. Si la máquina tira hacia la izquierda, ajuste el acoplamiento del control derecho contra el sentido del reloj para disminuir la velocidad de la rueda derecha. Reajuste la posición neutral si fuese necesario.

Para mover la máquina sin operar el motor, gire ambas válvulas de descarga ubicadas en el lado izquierdo de las bombas media y contra el sentido de las agujas del reloj a las posiciones "podar libremente". Regrese las válvulas de descarga a la posición original para operar el cortacésped. Apríete hasta 7 - 10 pies-lb.

Lubricante de caja de cambios: SAE 80W90

IMPORTANTE

MANTENIMIENTO DE EJE MOTRIZ

Engrasar horquillas 3-4 bombeadas Cada 200 horas

Engrasar estrias 8-10 bombeadas Cada 50 horas

482710

ADVERTENCIA

LA VOLCADURA DE LA MÁQUINA PUEDE CAUSAR LESIONES GRAVES O LA MUERTE

El incumplimiento de seguir estas instrucciones puede causar lesiones graves o la muerte.

No opere la máquina en pendientes empinados o cerca de pendientes verticales.

Evite los giros repentinos. No exceda la capacidad del peso de la máquina ROPS.

Siempre use cinturón de seguridad de la máquina ROPS.

No use cinturón de seguridad cuando el motor esté en funcionamiento.

Si el ROPS se desajusta, siempre mantenga el ROPS completamente extendido CUANDO EL ROPS NO ESTÉ EN FUNCIONAMIENTO.

No use cinturón de seguridad con un cinturón de seguridad de la plataforma de asiento.

Si está equipado con plataforma de asiento, no opere la máquina sin el pin de la plataforma de asiento en su lugar.

286304500

483300

ADVERTENCIA

Evite lesiones graves o la muerte.

Lea el Manual del operador. Solicite el manual en español a un distribuidor Scag.

Opere solo en cuestas en las que pueda retroceder. Si la máquina se detiene al subir una cuesta, detenga la cuchilla y retroceda lentamente.

Evite los giros repentinos. No corte cuando niños y/o otras personas estén presentes. Jamás lleve niños, ni siquiera con las cuchillas desconectadas. Mire hacia abajo y hacia atrás antes de durante la marcha en reversa y mantenga los dispositivos de intertrabqueo, etc.) en su lugar. Retire los objetos que pudieran ser arrojados por la cuchilla y asegure los escudos de protección y funcionamiento.

Solo operadores entrenados 483398


483398

IMPORTANTE

No llene demasiado. Debe permitirle espacio para la expansión del fluido caliente o causar fugas en el sistema.

Revisé el nivel de fluido hidráulico mientras el fluido está frío. El nivel de fluido debe estar 3" debajo de la parte superior del cuello del rellenador. Llène solamente con aceite para motor SAE 20W50.

482710

7. Estacione la máquina en terreno plano y accione el freno de estacionamiento.
 8. **NUNCA** permita que personal sin entrenamiento de servicio a la máquina.
 9. Tenga cuidado al revisar las cuchillas. Use un Blade Buddy, forre las cuchillas o use guantes y **TENGA CUIDADO** al dar servicio a las cuchillas. Sólo reemplace las cuchillas. **NUNCA** enderece ni suelde las cuchillas.
 10. Mantenga todas las partes en buenas condiciones de funcionamiento. Reemplace todas las calcomanías desgastadas o dañadas.
 11. Use soportes de gato para apoyar componentes cuando sea necesario.
 12. Libere cuidadosamente la presión de los componentes que tengan energía almacenada.
- ADVERTENCIA:** 

El fluido hidráulico se encuentra a alta presión. Mantenga el cuerpo y las manos lejos de los pequeños agujeros o boquillas que expulsan fluido hidráulico a alta presión. Si necesita servicio para su sistema hidráulico, contacte con su distribuidor autorizado Scag. Si el fluido hidráulico se inyecta en la piel, debe ser retirado quirúrgicamente dentro de unas pocas horas por un médico o puede producirse una gangrena.
13. Permita que el motor se enfríe antes de almacenarlo.
 14. **NO** almacene la máquina cerca de un fuego abierto.
 15. Corte el combustible durante el almacenamiento o el transporte.

2.6 CONSIDERACIONES DE MANTENIMIENTO Y ALMACENAMIENTO

1. Nunca realice ajustes a la máquina con el motor en operación a menos que se le indique específicamente hacerlo así. Si el motor está funcionando, mantenga las manos, los pies, y la ropa lejos de las piezas móviles.
2. Desconecte la transmisión, baje los implementos, ponga el freno de estacionamiento, detenga el motor y quite la llave o desconecte el cable de bujía para evitar un arranque accidental del motor cuando esté dando servicio o ajuste a la máquina. Espere que todo movimiento cese antes de realizar cualquier ajuste, limpieza o reparación.
3. Desconecte la batería o retire el cable de la bujía antes de hacer cualquier reparación. Desconecte primero el terminal negativo y el terminal positivo y el terminal negativo después.
4. Mantenga apretados todos los pernos, tuercas y tornillos, para asegurar que la máquina esté en condiciones seguras de trabajo. Revise con frecuencia los pernos de montaje de las cuchillas para estar seguro de que estén apretados.
5. No cambie los ajustes del controlador del motor ni opere a mayor velocidad de la nominal. Vea el manual del operador del motor para obtener información sobre los ajustes del motor.
6. Para reducir el peligro de incendio, mantenga las unidades de corte, el silenciador y el motor libres de césped, hojas, exceso de grasa, aceite y suciedad.

ADVERTENCIA:

Reduzca la velocidad al girar o al operar en pendientes o en superficies húmedas o resbaladizas. Permita una distancia adicional para detenerse.

Manténgase alejado de pendientes demasiado empinadas para una operación segura. Para probar si puede trabajar en una cuesta, trate de retroceder (con la plataforma de corte baja). Si la máquina no puede retroceder en una pendiente sin que las ruedas resbalen, no la opere en dicha pendiente. Bajo ninguna circunstancia la máquina debe ser operada en cuestas mayores a 15 grados.

SIEMPRE desplácese hacia arriba o hacia abajo de la pendiente cuando sea posible. Nunca cruce sobre una pendiente.

NO corte cerca de pendientes verticales, zanjales ni terraplenes. La máquina podría volcarse repentinamente si una rueda pasa encima de un borde o si el borde se derrumba.

Opere la máquina suavemente, sin giros repentinos, ni arranques o paradas en una pendiente.

NUNCA remolque en cuestas. El peso del equipo remolcado puede causar la pérdida de tracción y la pérdida de control.

NO permita que personal sin entrenamiento opere la máquina.

La exposición potencial del cinturón de seguridad a condiciones ambientales severas hace crucial examinar el sistema del cinturón regularmente.

Se recomienda examinar diariamente el cinturón de seguridad para detectar señales de daño. Cualquier sistema de cinturón de seguridad que muestre cortes, roturas, desgaste extremo o inusual, decoloración significativa debido a la exposición UV, suciedad o rigidez, abrasión al tejido del cinturón de seguridad, o daños a la hebilla, placa de cierre, tornillería o cualquier otro problema obvio debe ser reemplazado inmediatamente.

ADVERTENCIA:
El incumplimiento de inspeccionar y mantener apropiadamente el cinturón de seguridad puede ocasionar lesiones graves o la muerte.

1. Revise la longitud completa de las correas para detectar si hay cortes, desgaste, roturas, suciedad y rigidez. Vea la Figura 2-3.

2. Revise el tejido de las correas del cinturón de seguridad en las áreas expuestas a los rayos ultra violeta del sol o a polvo o suciedad extrema. Si el color original de las correas en estas áreas está extremadamente decolorado y/o lleno de suciedad, la resistencia física de estas correas puede haberse deteriorado. Si existen estas condiciones, reemplace el sistema del cinturón de seguridad.

3. Revise la hebilla y el seguro para verificar su correcto funcionamiento y determine si la placa de cierre está excesivamente gastada, deformada, o si la hebilla está dañada o agrietada. Vea la Figura 2-3.

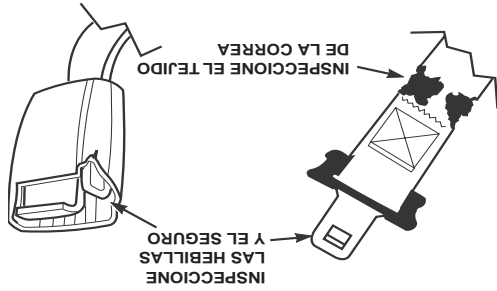


Figura 2-3 Inspección del cinturón de seguridad

Baje la barra contra vuelco solo cuando sea absolutamente necesario.

1. Para bajar la barra contra vuelco, afloje la perilla de tensión en las barras del lado izquierdo y derecho. Vea la Figura 2-1.

2. Retire los pasadores de chaveta de las horquillas y los dos (2) pines de bloqueo. Vea la Figura 2-2.

3. Baje la barra contra vuelco a la posición baja.

4. Para levantar la barra contra vuelco, suba la barra hasta la posición vertical.

5. Instale los dos (2) pines de bloqueo a través del agujero, asegúrelos con los dos (2) pasadores de chaveta de las horquillas y apriete las perillas de tensión. Vea la Figura 2-2. Quite el cinturón de seguridad de los soportes de sujeción.

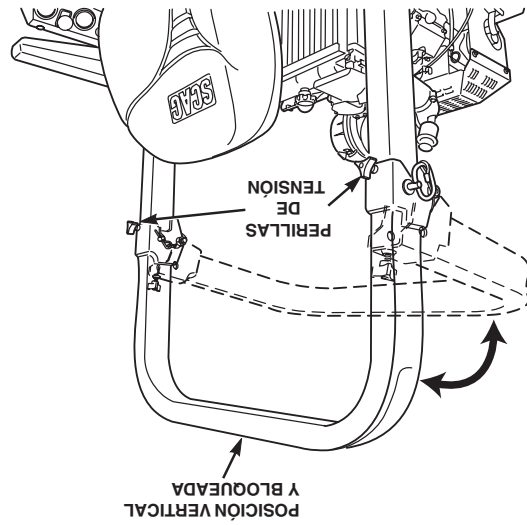


Figura 2-1 Sistema plegable de protección contra vuelco

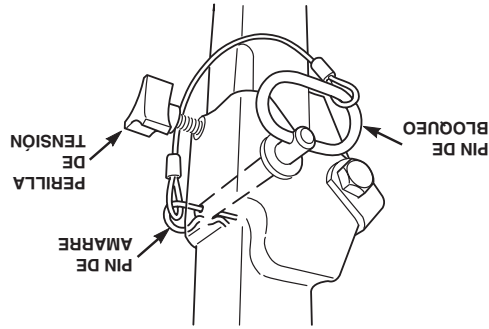


Figura 2-2 Bisagra del ROPS

14. Desconecte la potencia a los accesorios cuando los transporte o cuando no esté usándolos.

15. La máquina y los accesorios deben detenerse e inspeccionarse para ver si han sufrido daños después de golpear un objeto extraño; el daño debe repararse antes de reiniciar y operar la máquina.

PRECAUCIÓN:

NO toque el motor ni el silenciador mientras el motor está funcionando, ni inmediatamente después de detenerlo. Estas zonas pueden estar lo suficientemente calientes como para causar una quemadura.

PELIGRO:

NO opere el motor dentro de un edificio ni en un área encerrada sin ventilación apropiada. Los gases de escape son peligrosos y contienen monóxido de carbono que pueden causar daño cerebral y la muerte.

16. Mantenga las manos y pies lejos de las cuchillas de corte y las partes móviles. El contacto puede causar daños.

17. Tenga cuidado al cargar o descargar la máquina en un remolque o un camión.

18. Tenga cuidado al aproximarse a esquinas ciegas, arbustos, árboles u otros objetos que puedan disminuir la visibilidad.

19. NUNCA deje la máquina funcionando sin atención.

2.5 SISTEMA DE PROTECCIÓN CONTRA VUELCO

ADVERTENCIA:

Mantenga la barra contra vuelco en posición levantada y bloqueada y el cinturón de seguridad sujetado firmemente durante la operación. No hacerlo así podría ocasionar lesiones graves o la muerte.

ADVERTENCIA:

No existe protección contra vuelco cuando la barra contra vuelco está en posición baja.

Baje la barra contra vuelco solo cuando sea absolutamente necesario.

Levante las barras contra vuelco tan pronto como el espacio se lo permita.

NO use el cinturón de seguridad cuando la barra contra vuelco esté en posición baja.

SIEMPRE use el cinturón de seguridad cuando la barra contra vuelco esté en posición alta.

Opere la máquina suavemente, sin giros repentinos, ni arranques o paradas.

Revise el área cuidadosamente antes de cortar el césped para comprobar que haya suficiente espacio libre por encima de su cabeza (como ramas, entradas, etc.).

NO permita que ningún objeto que se encuentre sobre su cabeza entre en contacto con la barra contra vuelco.

NO DEBE retirarse ninguno de los componentes del sistema de protección contra vuelco. El incumplimiento de esta pauta puede causar lesiones o la muerte.

Este cortacésped se ha diseñado para tener buena tracción y estabilidad bajo condiciones normales de corte. Sin embargo, debe tener cuidado al desplazarse en cuestas, especialmente cuando el césped está mojado. No corte en césped mojado. El césped mojado reduce la tracción y el control de dirección.

15. **NO** opere sin la tolva de descarga lateral instalada y en la posición baja o con un recogedor de césped o placa desmenuzadora opcionales completamente instalados.

16. Verifique a intervalos frecuentes que los pernos de montaje de la cuchilla estén correctamente ajustados.
17. Asegúrese de que todas las conexiones hidráulicas estén apretadas y que todas las mangueras hidráulicas y las líneas estén en buen estado antes de arrancar la máquina.

2.4 CONSIDERACIONES DE OPERACIÓN

1. Conozca la función de todos los controles y sepa cómo detener el equipo rápidamente.

ADVERTENCIA:

NO opere en pendientes empinadas. Para probar si puede trabajar en una cuesta, trate de retroceder (con la plataforma de corte baja). Si la máquina puede retroceder por la pendiente sin que las ruedas se resbalen, reduzca la velocidad y opere con extremo cuidado. Bajo ninguna circunstancia la máquina debe ser operada en cuestas mayores a 15 grados. SIEMPRE CUMPLA CON LAS OPERACIONES APROBADAS POR OSHA.

2. Reduzca la velocidad y tenga mucho cuidado cuando opere en pendientes o de giros bruscos para evitar volcaduras y pérdida de control. Sea especialmente cauteloso al cambiar de dirección en las pendientes.
3. Para evitar volcarse o perder el control, arranque y deténgase suavemente, evite giros innecesarios y despiácese a baja velocidad.

4. Cuando use cualquier accesorio, nunca dirija la descarga del material hacia otras personas, ni permita que haya nadie cerca a la máquina mientras está en funcionamiento.

5. Antes de tratar de arrancar el motor, con el operador en el asiento, desconecte la potencia a la plataforma de corte, coloque las palancas de control de dirección en la posición neutral y accione el freno de estacionamiento.

6. Si la descarga del cortacésped se tapona, apague el motor, quite la llave de encendido y espere que cese todo movimiento antes de quitar la obstrucción.

ADVERTENCIA:

NO use la mano para desatascar la tolva de descarga. Use una varilla u otro dispositivo para retirar el material atascado después de apagar el motor y que las cuchillas paren de girar.

7. Preste atención a agujeros, piedras, raíces y otros peligros ocultos en el terreno. Manténgase alejado de toda pendiente vertical. Tenga cuidado con las obstrucciones presentes arriba de su cabeza (ramas bajas, etc.), obstáculos subterráneos (aspersores, tubos, raíces de árboles, etc.). Ingrese con precaución a un área nueva. Preste atención a posibles peligros ocultos.

8. Desconecte la potencia a la plataforma de corte antes de retroceder. No corte en reversa a menos que sea absolutamente necesario y sólo después de observar toda el área detrás del cortacésped. Si debe cortar en reversa, mantenga la vista constantemente hacia la parte posterior de la máquina y corte lentamente.
9. **NO** gire muy repentinamente. Tenga cuidado al retroceder.

10. Desconecte la potencia a la plataforma de corte antes de cruzar carreteras, caminos o caminos de grava.

11. Corte sólo con luz de día o buena luz artificial.

12. **NUNCA** levante la plataforma con las cuchillas conectadas.

13. Tome toda precaución posible cuando deje la máquina detenida. Detener el motor y quitar la llave.

3. No permita que los niños se suban o jueguen en la máquina, no es un juguete.

4. Retire del área que debe ser cortada todos los objetos que pudieran ser recogidos y arrojados por las cuchillas.

5. No lleve pasajeros.

6. **NO** opere el equipo bajo la influencia de alcohol o drogas.

7. Si el operador o mecánico no puede leer inglés o español, es responsabilidad del propietario explicarles este material.

8. No use ropa muy holgada. La ropa holgada, las joyas o el cabello largo podrían enredarse en partes móviles. No opere la máquina llevando pantalones cortos; siempre lleve ropa de protección adecuada, incluyendo pantalones largos. Es recomendable llevar gafas de seguridad, zapatos de seguridad y un casco, pues es requerido por algunos reglamentos locales y normas del seguro.

ADVERTENCIA:
 Siempre use protectores auditivos. El operar esta máquina por períodos prolongados de tiempo puede causar pérdida de la audición.

9. Mantenga la máquina y los accesorios en buenas condiciones de operación. Mantenga todas las guardas y dispositivos de seguridad en su lugar. Si una guarda, un dispositivo de seguridad o una calcomanía, están defectuosos o dañados, repárelos o reemplácelos antes de operar la máquina.

ADVERTENCIA:
 Esta máquina está equipada con un sistema de bloqueo diseñado para evitar lesiones personales al operador y a terceros. Esto se logra evitando que el motor arranque a menos que la transmisión de plataforma esté desconectada, el freno de estacionamiento accionado, las palancas de control de dirección en la posición neutral y el operador en el asiento. El sistema apaga el motor si el operador deja el asiento con la transmisión de plataforma accionada y/o la palanca de control de dirección en una posición diferente de la neutral y el freno de estacionamiento no accionado. Nunca opere el equipo con el sistema de bloqueo desconectado ni funcionando defectuosamente.

10. Asegúrese que los conmutadores de bloqueo funcionen correctamente.

11. El combustible es inflamable; manipúlelo con cuidado. Llene el tanque de combustible al aire libre. Nunca lo llene bajo techo. Use un embudo para evitar derrames. Limpie cualquier derrame antes de arrancar el motor.

12. **NO** agregue combustible a un motor en operación ni a un motor caliente. Permita que el motor se enfríe por varios minutos antes de agregar el combustible. Nunca llene combustible bajo techo ni en un remolque cerrado.

13. Mantenga los objetos inflamables (cigarrillos, fósforos o cerillos, etc.), las llamas abiertas y chispas, lejos del tanque y el recipiente de combustible. Use sólo recipientes aprobados.

14. El equipo debe cumplir con los últimos requisitos de acuerdo con SAE J137 y/o ANSI/ASAE S279

-NOTA-

Si el cortacésped es conducido en caminos públicos, debe cumplir los reglamentos estatales y locales así como también los requisitos SAE J137 y/o ANSI/ASAE S279. Contacte con sus autoridades locales para informarse sobre las normas y los requisitos del equipo.

INFORMACIÓN DE SEGURIDAD

2.1 INTRODUCCIÓN

Su cortacésped es tan seguro como el operador. El error o descuido del operador puede ocasionar lesiones personales graves o la muerte. El control de riesgos y la prevención de accidentes dependen del conocimiento, el interés, la prudencia, y el entrenamiento apropiado del personal relacionado con la operación, el transporte, mantenimiento y almacenamiento del equipo. Cerciórese de que cada operador esté entrenado apropiadamente y completamente familiarizado con todos los controles antes de operar el cortacésped. El propietario/usuario puede evitar y es responsable de los accidentes o heridas que les ocurran a ellos mismos, a otras personas o a la propiedad.

LEA ESTE MANUAL DEL OPERADOR ANTES DE TRATAR DE ARANCAR SU CORTACÉSPED.

Puede conseguir un manual de reemplazo en su distribuidor autorizado Scag o contactándose con Scag Power Equipment, Service Department en P.O. Box 152, Mayville, WI 53050, o visitando su sitio web en www.scag.com. Puede descargar el manual para esta máquina utilizando el modelo y el número de serie o mediante el formulario de contacto para hacer su pedido. Indique el modelo y el número de serie completos de su producto de Scag cuando solicite manuales de reemplazo.

2.2 PALABRAS DE SEÑALIZACIÓN



Este símbolo significa “¡Atención! ¡Alerta! Hay un riesgo para su seguridad!” El símbolo se usa con las siguientes palabras de señalización para llamar su atención sobre mensajes de seguridad localizados en las calcomanías del equipo y a través de este manual. El mensaje que sigue al símbolo contiene información importante sobre seguridad. ¡Para evitar posibles lesiones o la muerte, lea detalladamente el mensaje! Cerciórese de entender completamente las causas que pueden ocasionar lesiones o la muerte.

Palabra de señalización:

Es una palabra distintiva que se encuentra en las calcomanías de seguridad del equipo y a través de este manual para alertar sobre la existencia y el grado de una condición de peligro.

PELIGRO:



La palabra de señalización “DANGER” (PELIGRO) indica que existe una situación extremadamente peligrosa en o cerca de la máquina, que tiene altas probabilidades de ocasionar la muerte o una lesión irreparable si no se toman las precauciones apropiadas.

ADVERTENCIA:



La palabra de señalización “WARNING” (ADVERTENCIA) indica que existe un riesgo en o cerca de la máquina que puede ocasionar lesiones o la muerte si no se toman las precauciones debidas.

PRECAUCIÓN:









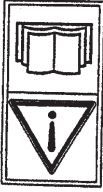



La palabra de señalización “CAUTION” (PRECAUCIÓN) es un recordatorio de que se deben seguir prácticas seguras en o cerca de la máquina y que de no seguirse, se pueden ocasionar lesiones personales. Su seguridad y la de los demás dependen en gran parte de que usted conozca y comprenda todos los procedimientos y las prácticas de operación correcta de esta máquina.

2.3 ANTES DE OPERAR A LA OPERACIÓN

1. **NUNCA** permita que niños operen este cortacésped. No permita que adultos operen esta máquina sin instrucciones apropiadas.

2. **No** corte cuando niños y/o otras personas estén presentes. Mantenga a los niños fuera del área de corte y al cuidado atento de un adulto responsable máquina si un niño ingresa al área.













DESCRIPCIÓN	SÍMBOLO	DESCRIPCIÓN	SÍMBOLO
Lento		Rápido	
Elemento cortante - Símbolo básico		Continuamente variable – Lineal	
Elemento cortante – Conectar		Punto de contacto	
Elemento cortante – Desconectar		Horómetro/Horas de operación transcurridas	
Lea el manual del operador		Mantenga alejados a los curiosos Peligro de objetos lanzados	

1.3 SERVICIO AL MOTOR Y A LOS COMPONENTES DEL TREN DE TRANSMISIÓN

Los detalles sobre servicio y reparación del motor, las bombas hidráulicas, y cajas de cambios, no están cubiertos en este manual; sólo se proporcionan instrucciones de mantenimiento de rutina y de servicio

general. Para dar servicio a estos componentes durante el período de garantía limitada, es importante contactar con su distribuidor Scag o encontrar a un agente local de servicio autorizado del fabricante del componente. Cualquier trabajo no autorizado realizado en estos componentes durante el período de garantía puede anularla.

Símbolos

SÍMBOLO	DESCRIPCIÓN	SÍMBOLO	DESCRIPCIÓN
	Durante la instalación, el asiento debe instalarse debajo de su soporte de sujeción. No asegurar el asiento debajo de su soporte de sujeción puede ocasionar lesiones graves o la muerte en caso de volcadura.		Marca de la CE
	Riesgo de caída		Peligro de objetos lanzados
	Apagado/Parada		Acite
	Encendido/Arranque		Tensión del resorte en la polea
	Freno de estacionamiento		Cuchilla giratoria
	Ahogador		Transmisión

INFORMACIÓN GENERAL

1.1 INTRODUCCIÓN

Su cortacésped se fabricó según las normas más exigentes de la industria. Sin embargo, la duración de la vida útil y el logro de la máxima eficiencia de su cortacésped dependen de que se sigan las instrucciones de operación, mantenimiento y ajuste indicadas en este manual.

Si requiere información o servicio adicionales, contacte con su distribuidor de Scag Power Equipment.

Le sugerimos que se ponga en contacto con su distribuidor cuando necesite reparaciones. Todos los distribuidores Scag están informados de los últimos métodos para dar servicio a este equipo y para proporcionar un servicio oportuno y eficiente en el sitio de trabajo o en el taller de servicio. Ellos cuentan con la línea completa de piezas de repuesto Scag.

EL REEMPLAZO DE CUALQUIER PARTE DE ESTE PRODUCTO POR OTRA PIEZA DE REPUESTO QUE NO ESTE AUTORIZADA POR EL FABRICANTE PUEDE PERJUDICAR EL RENDIMIENTO, DURABILIDAD O SEGURIDAD DE ESTE PRODUCTO.

EL USO DE PIEZAS DE REPUESTO QUE NO SEAN SCAG ORIGINALES ANULARÁ LA GARANTÍA.

Cuando ordene piezas, siempre indique el modelo y el número de serie de su tractor. La placa del número de serie esta ubicada donde se muestra en la Figura 1-1.

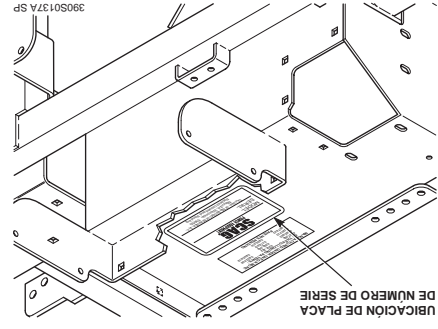


Figura 1-1 Ubicación de placa de número de serie del tractor

Los lados "derecho" e "izquierdo", "frontal" y "posterior" de la máquina están referidos desde la derecha e izquierda del operador cuando está sentado en posición de operación normal y de cara a la dirección de desplazamiento hacia adelante.

1.2 REFERENCIA DE INSTRUCCIONES

Toda la información esta basada sobre la información disponible del producto al momento de aprobarse la impresión. Scag Power Equipment se reserva el derecho de realizar cambios en cualquier momento sin previo aviso y sin contraer ninguna obligación.

ADVERTENCIA: Para una mejor visualización, algunas ilustraciones y las figuras en este manual pueden mostrar las protecciones, las guardas o los platos, abiertos o retirados. Bajo ninguna circunstancia su cortacésped debe operarse sin estos accesorios colocados en su lugar.

SÓLO USE DISPOSITIVOS APROBADOS POR SCAG. Los accesorios y aditamentos fabricados por compañías que no sean la propia Scag Power Equipment no están aprobados para usarlos en esta máquina. Accesorios y aditamentos aprobados por Scag: GC-STT (n/p 9059, 9060, 9039) GC-STT-CS (n/p 9063, 9064, 9041) Placa desmenuzadora (n/p 9287, 9288, 9262) Mezclador de paja Hurrricane (n/p 9284, 9285, 9267) Accesorio de enganche STT (n/p 9242) Parachoques STT (n/p 9256) Asiento de suspensión con cinturón de seguridad (n/p 9292) Luces STT (n/p 9279) Tiger Striper (n/p 9269) Blade Buddy (n/p 9212)

TABLA DE CONTENIDO (CONTINUACIÓN)

PÁGINA

TEMA

Sección 6 - Ajustes

6.1	Ajuste del freno de estacionamiento	27
6.2	Ajustes de desplazamiento	28
6.3	Ajustes de los controles de aceleración y estrangulación	29
6.4	Ajuste de la correa	29
6.5	Alineación de la correa	29
6.6	Ajustes de la plataforma de corte	30

Sección 7 - Mantenimiento

7.1	Tabla de mantenimiento	34
7.2	Lubricación de puntos de conexión	35
7.3	Sistema hidráulico	37
7.4	Aceite del motor	38
7.5	Sistema de combustible del motor	39
7.6	Filtro de aire del motor	40
7.7	Batería	40
7.8	Correas de transmisión	41
7.9	Cuchillas de corte	41
7.10	Lantas	43
7.11	Caja de cambios de la plataforma de corte	43
7.12	Sistema de refrigeración Kawasaki	43
7.13	Cuerpo, plataforma, tolva y tapicería	45

Sección 8 - Piezas de repuesto

40-41	Plataforma de corte STT52V, STT61V	40-41
42-43	Plataforma de corte STT72A	42-43
44-45	Controles de plataforma de corte	44-45
46-47	Componentes de láminas metálicas	46-47
48-49	Sistema de protección contra vuelco STT sin asiento de suspensión	48-49
50-51	Sistema de protección contra vuelco STT con asiento de suspensión	50-51
52-53	Componentes de la transmisión de plataforma	52-53
54-55	Motor y accesorios (Kohler)	54-55
56-57	Motor y accesorios (Kawasaki)	56-57
58-59	Motor y accesorios (Briggs & Stratton)	58-59
60-61	Componentes de frenos y dirección	60-61
62-63	Sistemas de combustible e hidráulico	62-63
64-65	Sistemas de combustible e hidráulico (Kawasaki 29DFI)	64-65
66-67	Bomba hidráulica (BDP-16A)	66-67
68-69	Bomba hidráulica con ventilador de enfriamiento (BDP-16A)	68-69
70-71	Sistema eléctrico (Kohler)	70-71
72-73	Sistema eléctrico (Kawasaki 27 HP, Briggs & Stratton 35 HP enfriado por líquido)	72-73
74-75	Sistema eléctrico (Kawasaki 29DFI)	74-75
76-77	Calcomanías de repuesto	76-77
78	Esquema eléctrico (Kohler)	78
79	Sistema eléctrico (Kawasaki 27 HP)	79
80	Esquema eléctrico (Kawasaki 29DFI)	80
81	Sistema eléctrico (Briggs & Stratton 35BV)	81

Declaración de garantía después de la sección 8



TABLA DE CONTENIDO

TEMA	PÁGINA
Sección 1 - Información general	
1.1 Introducción	1
1.2 Referencia de instrucciones	1
1.3 Servicio al motor y a los componentes del tren de transmisión	2
1.3 Símbolos	2-3
Sección 2 - Información de seguridad	
2.1 Introducción	4
2.2 Palabras de señalización	4
2.3 Consideraciones previas a la operación	4
2.4 Consideraciones de operación	6
2.5 Sistema de protección contra vuelco	7
2.6 Consideraciones de mantenimiento	9
2.7 Calcomanías instructivas y de seguridad	11
Sección 3 - Especificaciones	12-14
Sección 4 - Instrucciones de operación	
4.1 Identificación de controles e instrumentos	15
4.2 Sistema de bloqueo de seguridad	17
4.3 Procedimientos de arranque inicial	17
4.4 Arranque del motor	17
4.5 Desplazamiento en el terreno y dirección	18
4.6 Conexión de la transmisión de plataforma	19
4.7 Operación en una cuesta	19
4.8 Estacionamiento del cortacésped	20
4.9 Después de la operación	20
4.10 Retiro del material atascado	20
4.11 Desplazamiento del cortacésped con el motor detenido	21
4.12 Recomendaciones para cortar el césped	21
4.13 Ajuste de la altura de corte	21
4.14 Remolque	22
4.15 Ajuste de las palancas de dirección	22
4.16 Ajuste del pedal de ajuste de altura	23
Sección 5 - Identificación de fallas en las condiciones de corte	24-26

ADVERTENCIA:

EL INCUMPLIMIENTO DE LAS PRÁCTICAS SEGURAS DE OPERACIÓN PUEDE RESULTAR EN LESIONES GRAVES.

- * Mantenga todas las guardas en su posición, especialmente la de la tolva de descarga de césped.
- * Antes de realizar cualquier mantenimiento o servicio, detenga la máquina y quite el cable de la bujía y la llave de encendido.
- * Si un mecanismo se atasca, detenga el motor antes de limpiar.
- * Mantenga las manos, los pies y la ropa lejos de las partes móviles.
- * Lea este manual completamente así como cualquier otro manual proporcionado con su cortacésped.
- * Mantenga a otras personas alejadas del tractor (sólo una persona debe usarlo a la vez)
- * NO opere en pendientes empinadas. Para probar si puede trabajar en una cuesta, trate de retroceder (con la plataforma de corte baja).
- Si la máquina puede retroceder por la pendiente sin que las ruedas se resbalen, reduzca la velocidad y opere con extremo cuidado. Bajo ninguna circunstancia la máquina debe ser operada en cuestas mayores a 15 grados. SIEMPRE CUMPLA CON LAS OPERACIONES APROBADAS POR OSHA.
- * NO corte en césped mojado. El césped mojado reduce la tracción y el control de dirección.

RECUERDE - ¡SU CORTACÉSPED ES TAN SEGURO COMO EL OPERADOR!

El control de riesgos y la prevención de accidentes dependen del conocimiento, el interés, la prudencia y el entrenamiento apropiado del personal relacionado con la operación, el transporte, mantenimiento y almacenamiento del equipo.

STT52V-27CH	con número de serie de D740001 a D749999
STT61V-27CH	con número de serie de D750001 a D759999
STT61V-27KA	con número de serie de D760001 a D769999
STT61V-29DFI-SS	con número de serie de D770001 a D779999
STT61V-35BV-SS	con número de serie de D780001 a D789999
STT-29DFI-SS	con número de serie de D810001 a D819999
STT-35BV-SS	con número de serie de D820001 a D829999
SMT-52V	con número de serie de D940001 a D949999
SMT-61V	con número de serie de D950001 a D959999
SMT-61V (BVAC, BV)	con número de serie de D990001 a D999999
SMS-72A	con número de serie de E000001 a E009999

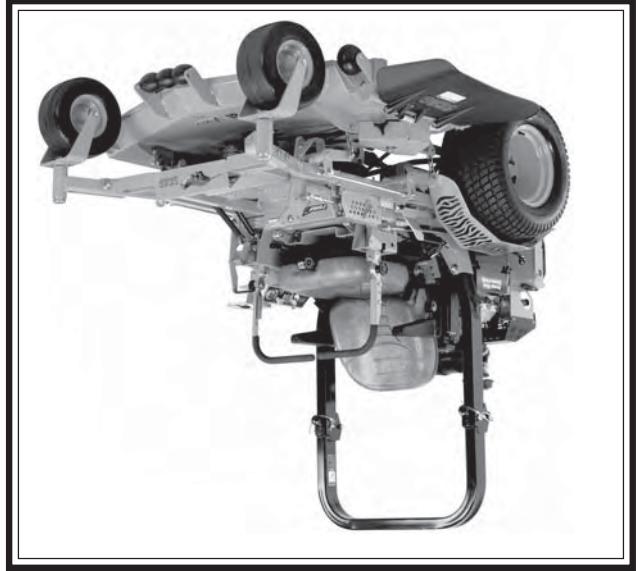
Este manual cubre las instrucciones de operación y la lista de partes ilustradas para:

Cuando se refiera a este producto siempre use el número de serie completo que aparece en la etiqueta de número de serie.

MANUAL DEL OPERADOR

SCAG[®]
POWER EQUIPMENT

MODELO STT



ESTE MANUAL CONTIENE LAS INSTRUCCIONES DE OPERACIÓN Y LA INFORMACIÓN DE SEGURIDAD PARA SU CORTACÉSPED SCAG. LA LECTURA DE ESTE MANUAL LE PUEDE AYUDAR EN EL MANTENIMIENTO Y LOS PROCEDIMIENTOS DE AJUSTE A FIN DE MANTENER SU CORTACÉSPED TRABAJANDO A LA MÁXIMA EFICIENCIA. LOS MODELOS ESPECÍFICOS CUBIERTOS POR ESTE MANUAL ESTÁN INDICADOS EN LA CUBIERTA INTERIOR. ANTES DE OPERAR SU MÁQUINA, LEA TODA LA INFORMACIÓN INCLUIDA.

© 2007

SCAG POWER EQUIPMENT

DIVISION OF METALCRAFT OF MAYVILLE, INC.

PARTE Nº 03221
IMPRESO EN JULIO DE 2007
IMPRESO EN EE.UU.